

**BOM:**

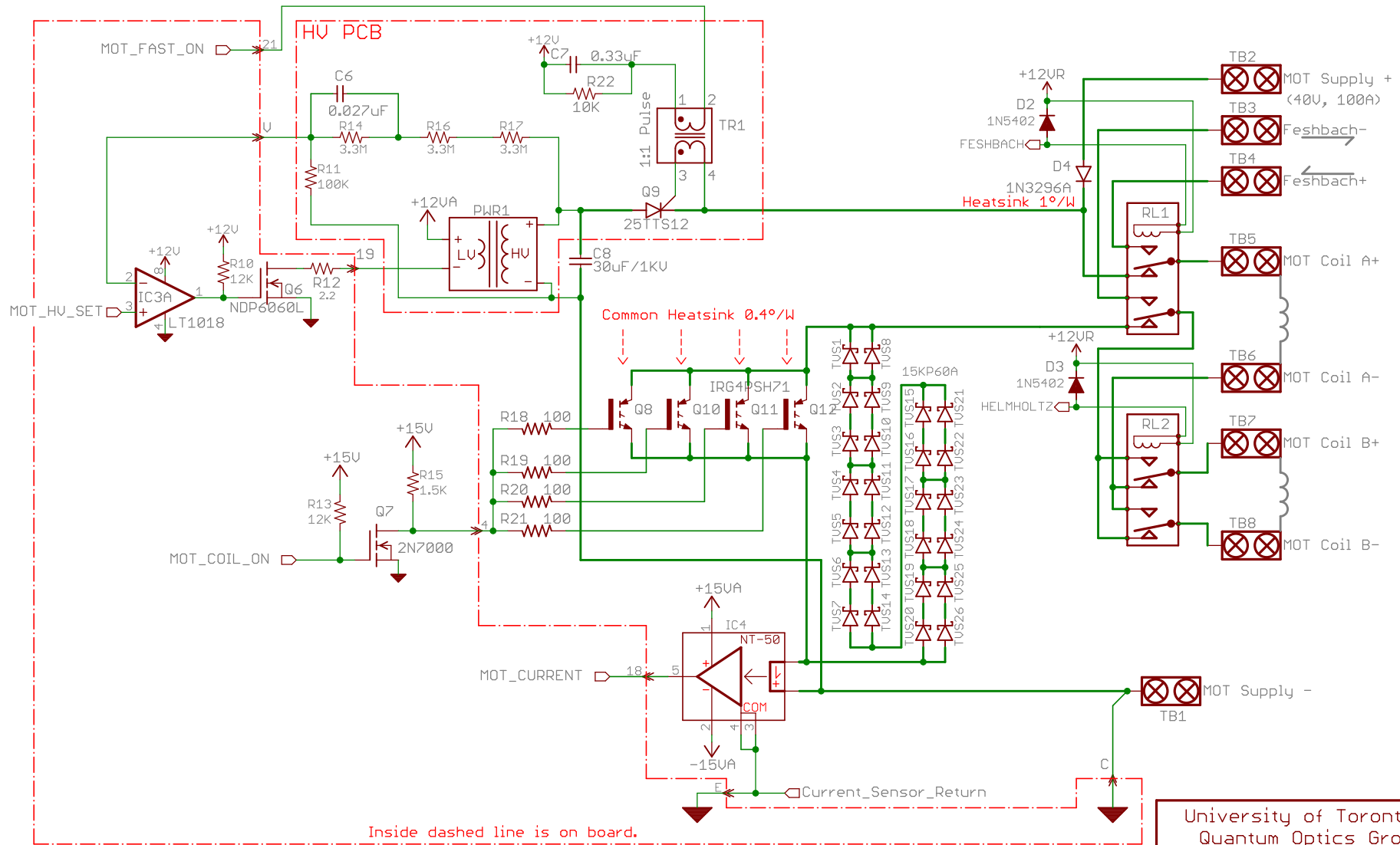
HV Caps: GE 97F5023(S), with mtg bracket M279A7235-24.  
 HV DC-DC Converter: Pico 150U1 (15U:1KU @ 8.5mA/8.5W, unreg).  
 All relays: Tyco/P&B PRD11DF0-12

**NOTES:**

- 1) NOTICE: The PT5062 takes 5.5A for 3mS inrush current, if less is provided it will short the supply!
- 2) MOT Coils (total) 3.2mH, 0.172 Ohms, 100A.
- 3) Transfer ("XFER") coils (total) 2.3mH, 0.148 Ohms, 80A.
- 4) Wire 4AWG or quad 12AWG for heavy nets, 12AWG for caps and SCR.

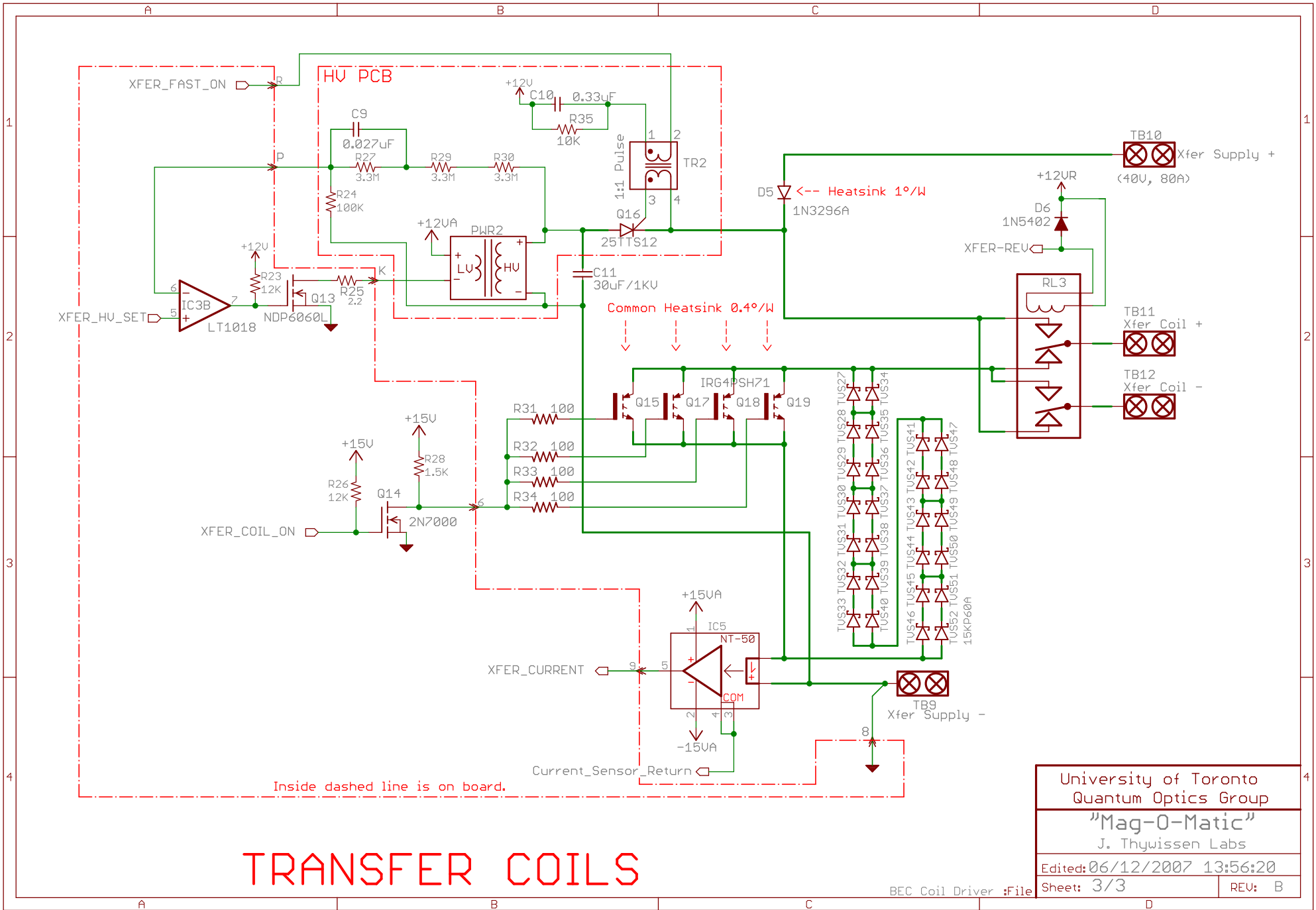
Ltr	Date	By	Description
C	Dec'07	A.Stummer	Added Feshbach relay, changed relays, fans automatic.
B	Nov'04	A.Stummer	Added supply zener cap, HV primary limiter Rs.

REVISIONS	
University of Toronto Quantum Optics Group	BEC Coil Driver "Mag-O-Matic"
Drawn: Alan Stummer Apr'04	J. Thywissen Labs
Edited: 06/12/2007 13:56:20	Sheet: 1/3
BEC Coil Driver :File	REV: C



# MOT COILS

University of Toronto  
 Quantum Optics Group  
 "Mag-0-Matic"  
 J. Thywissen Labs  
 Edited: 06/12/2007 13:56:20  
 Sheet: 2/3  
 REV: B



# TRANSFER COILS