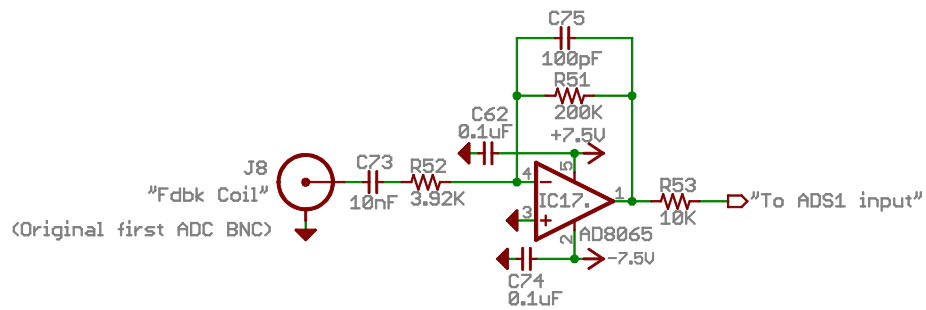


University of Toronto Quantum Optics Group
FPGA-1 Generic Controller
Edited: 10/25/2005 09:43:48a
Sheet: 3/4
REV: B

BarrierShaper :#File

Modification for Chris Ellanor's board.
 Hand assembled on a surfboard.



University of Toronto Quantum Optics Group
FPGA-1 Generic Controller
Edited: 10/25/2005 09:43:48a
Sheet: 4/4
REV: B

BarrierShaper :File