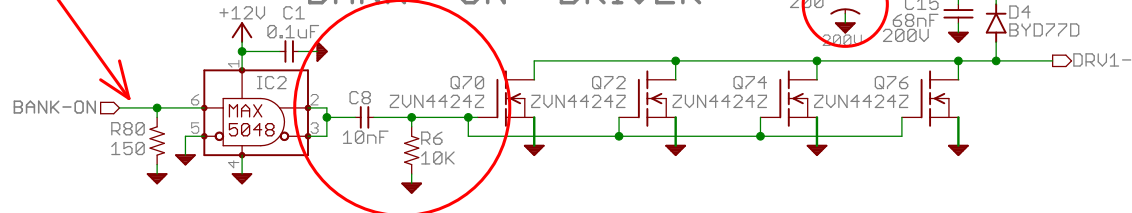


Ltr	Date	By	Description
A2	Aug07	A.Stummer	Various changes, too many to list, using Rev:A PCB.
REVISIONS			
University of Toronto Quantum Optics Group		n-Pulse Selector R.Marjoribanks Lab & Piezo Driver A.Steinberg Lab	
Drawn: A.Stummer 16Nov'05		Sheet: 1/3	
Edited: 16/11/2007 10:09:05		REV: A2	

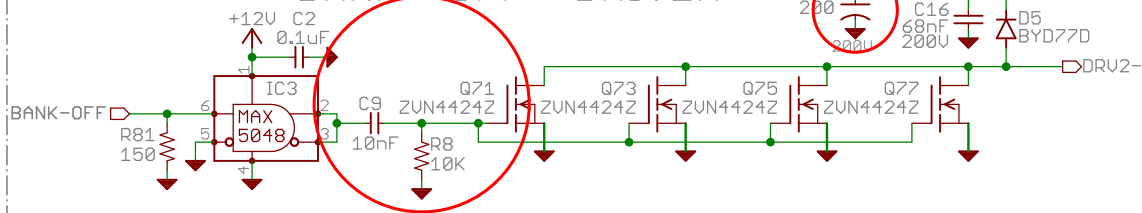
Must be very short wide trace to all 4 FETs!

Can extend this if must.

BANK "ON" DRIVER



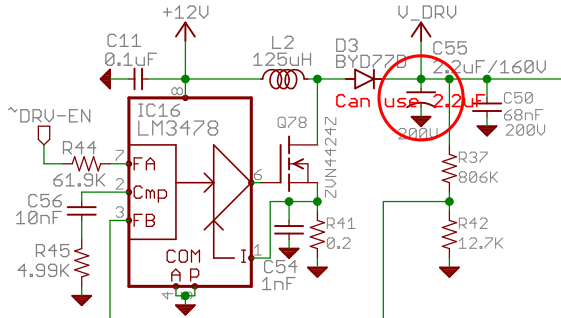
BANK "OFF" DRIVER



This area for n-Pulse Selector only.

Driver/Piezo Supply

(0 to +161V)

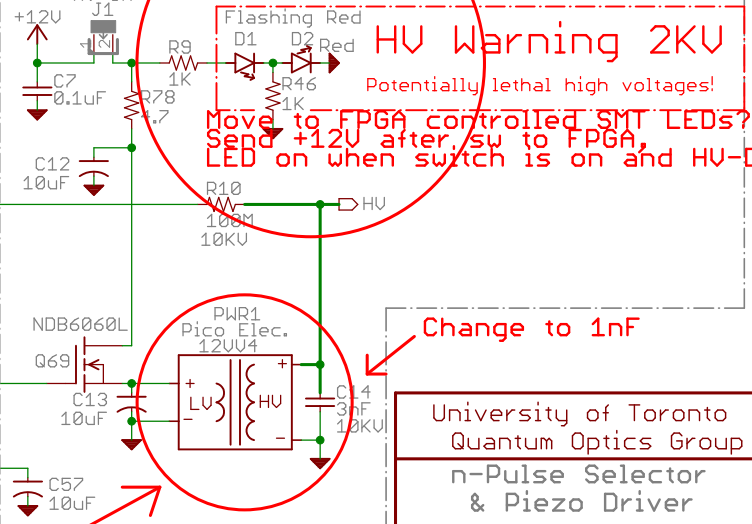


Piezo only.

PIEZO-COARSE
PIEZO-FINE

HV Supply

(0 to +2.020KV)



HV Warning 2KV

Potentially lethal high voltages!

Move to FPGA controlled SMT LEDs?
Send +12V after sw to FPGA,
LED on when switch is on and HV-DAC > 0.

Change to 1nF

Use Pico AV series, <http://www.picoelectronics.com/dcdclow/avhigh.htm>

