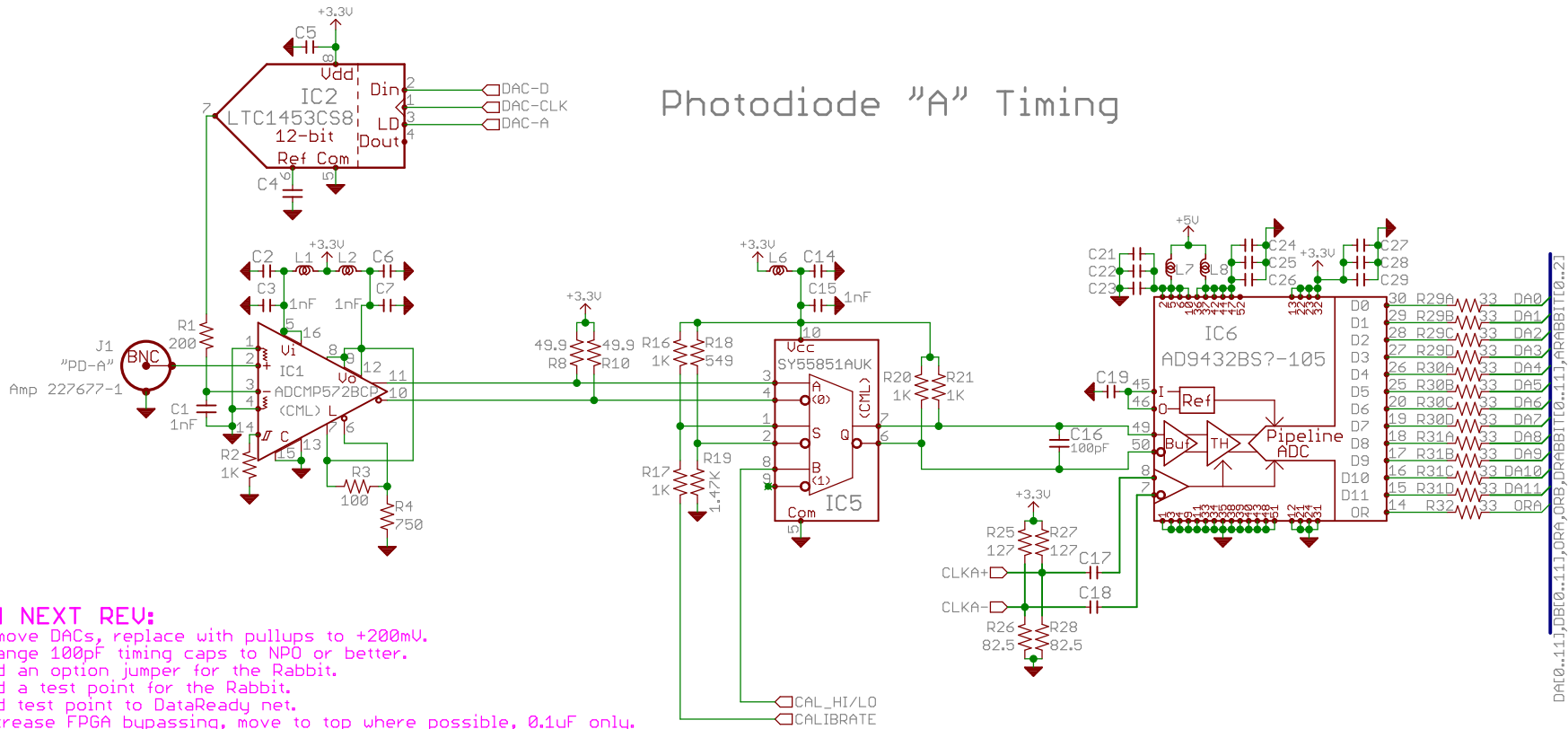


Photodiode "A" Timing



ON NEXT REV:

- Remove DACs, replace with pullups to +200mV.
- Change 100pF timing caps to NPO or better.
- Add an option jumper for the Rabbit.
- Add a test point for the Rabbit.
- Add test point to DataReady net.
- Increase FPGA bypassing, move to top where possible, 0.1uF only.

WHITE WIRES:

- RabbitReadingData from Rabbit to FPGA
- RunEnable from Rabbit to FPGA

NOTES

- Schematic Rev:A1 is assembled on PCB Rev:A, but circuit changes shown on PCB Rev:A1.
- 50 Ohm traces shown slightly wider: —
- 1 Ohm on RC network are placeholders, can use 0-5 Ohms.
- 50 Ohm coax for clock distribution is from 12cm of RG-147U or similar.

BOM

- Unmarked bypass caps are 0.1uF.
- Ferrite filters: 0.55K @ 1GHz, Murata BLM18EG471SN1D.
- Quad 82 Ohm: Panasonic EXB-28U820JX.
- Quad 130 Ohm: Panasonic EXB-28U131JX.
- 330uF: T495D337K006ATE100
- Character Display: e.g. Lumex LCM-S01602DSFC (2x16 char) or similar.
- On LCM-S01602DSFC display, jumper J3 and add 27 Ohms to R9 for backlighting.
- Fan: NMB 1606KL-01W-B30-L00.
- NTC Thermister: Epcos B57703M0103G040
- Case: Hammond 1598CBK or GY
- Rabbit header: Sullins PPPN172AFCN-RC

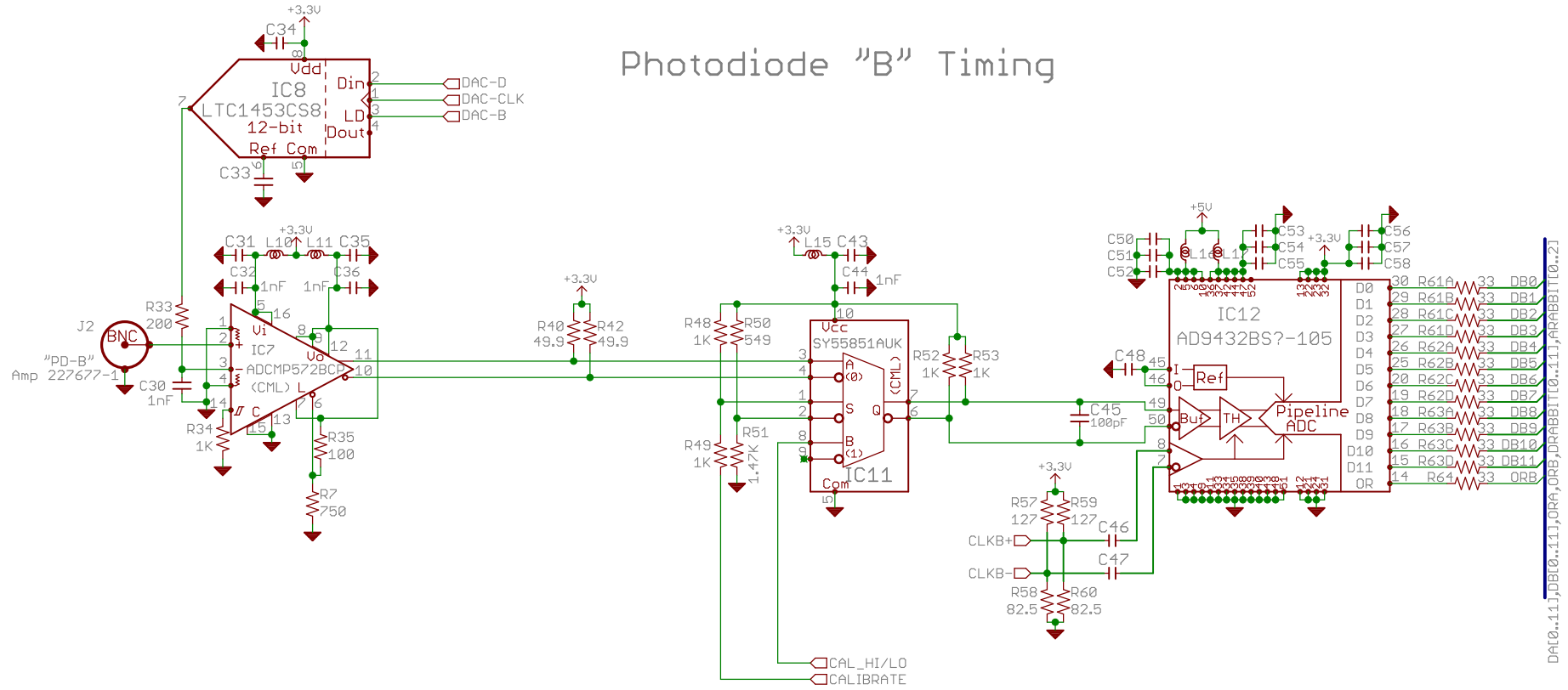
A2	Jan'08	A.Stummer	As assembled, various changes including move display backlight from PCB to display assy, remove discriminator latches.
Ltr	Date	By	Description

REVISIONS

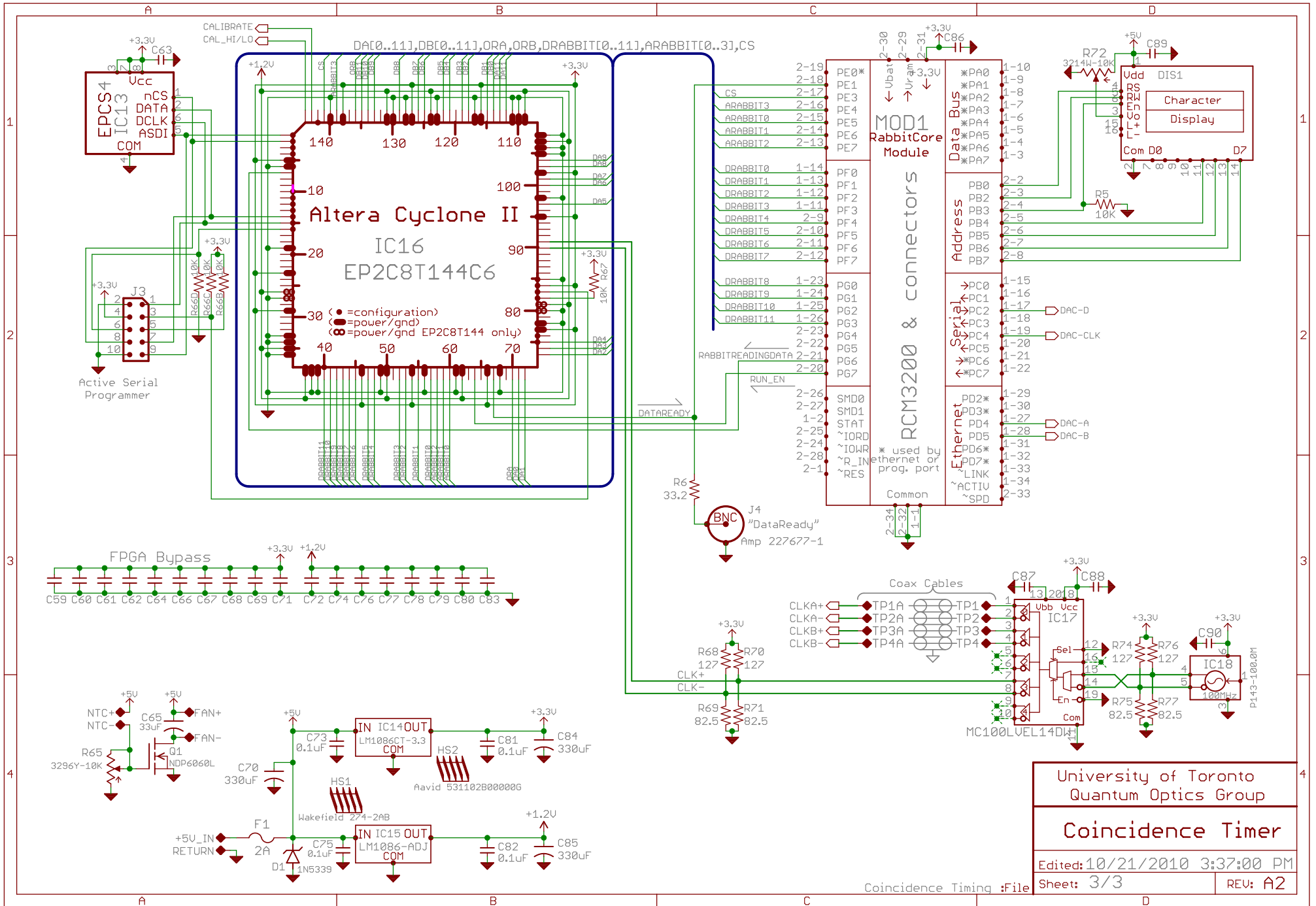
University of Toronto Quantum Optics Group		Coincidence Timer Steinberg Lab	
Drawn: A.Stummer Oct'07		Sheet: 1/3	
Edited: 10/21/2010 3:37:00 PM		REV: A2	

Coincidence Timing :File

Photodiode "B" Timing



University of Toronto Quantum Optics Group	
Coincidence Timer	
Edited: 10/21/2010 3:37:00 PM	
Coincidence Timing :File	Sheet: 2/3
	REV: A2



University of Toronto
Quantum Optics Group

Coincidence Timer

Edited: 10/21/2010 3:37:00 PM
Sheet: 3/3
REV: A2