

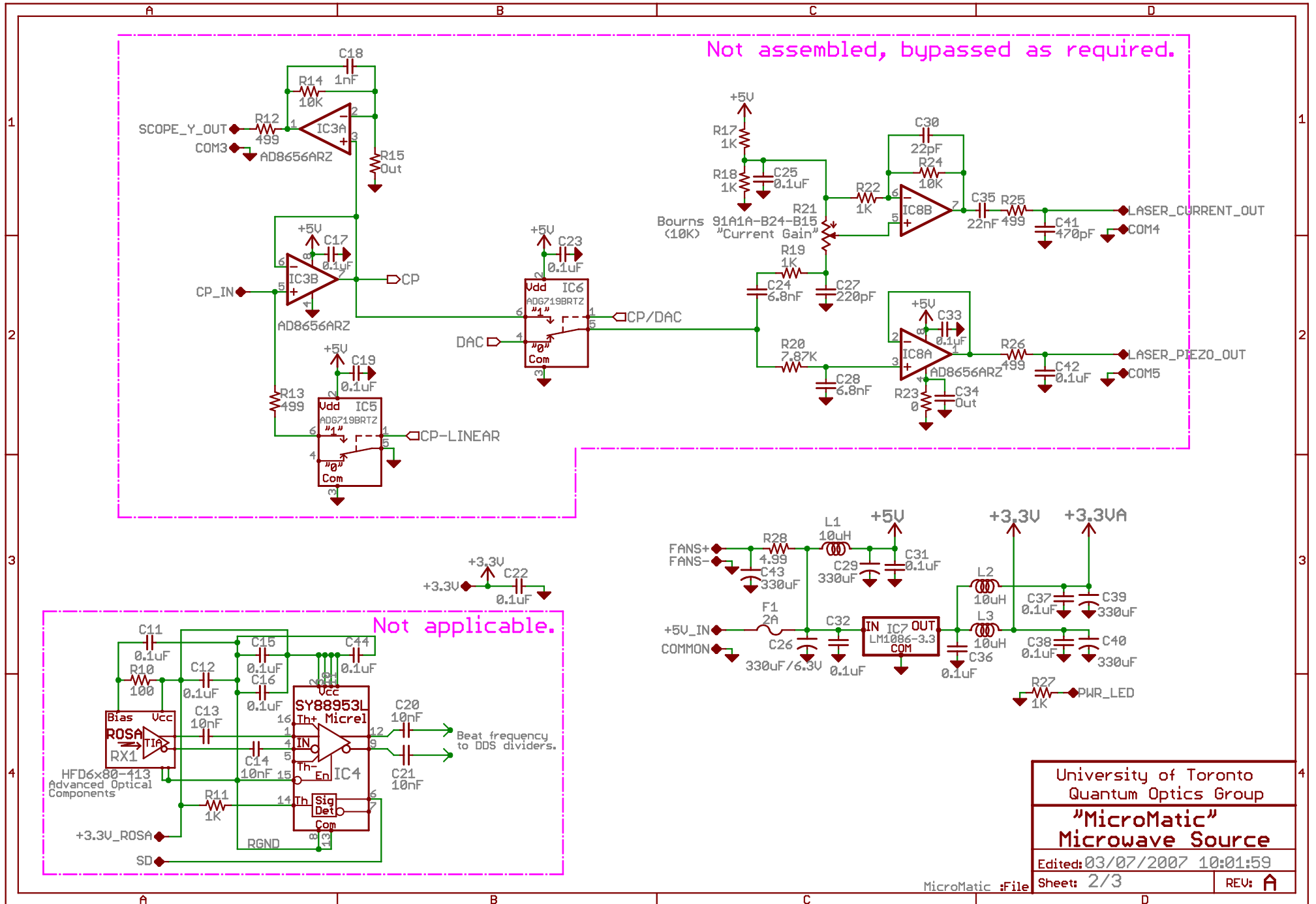
NOTES:

- 1) This is actually the Chroma-Matic Rev:A schematic and board!
- 2) Solder 330pF 0805 caps on top of 0.1uF on supply for limiting amp.

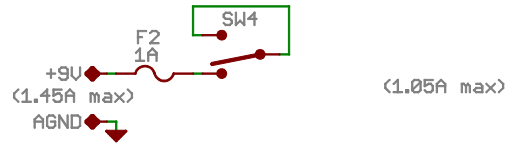
BOM

Rabbit module: 2 x Sullins PPTC252LFBN-RC (S7093-ND)
 DDS Eval Module: Sullins PPTC252LFBN-RC (S7128-ND)
 0.47uF/100V: AVX 12101C474KAT2A (478-2568-1-ND)
 100uF/6.3V (low ESR): Kemet T495B107M006ATE700 (399-3875-1-ND)
 330uF/6.3V (ultra-low ESR): Kemet T530X477M006ATE006 (399-4136-1-ND)
 10uH: Coey ELL-ATU100M (PCD1748CT-ND)
 1N4004: Diodes Inc. S16B-13 (S16BDICT-ND)
 Case: Hammond 1598J
 Power Supply: CUI DTS050250SUDC-P5P-SZ (T850-P5P-ND)
 LEDs: Lumex SSI-LXH3126D-150 (67-1191-ND)

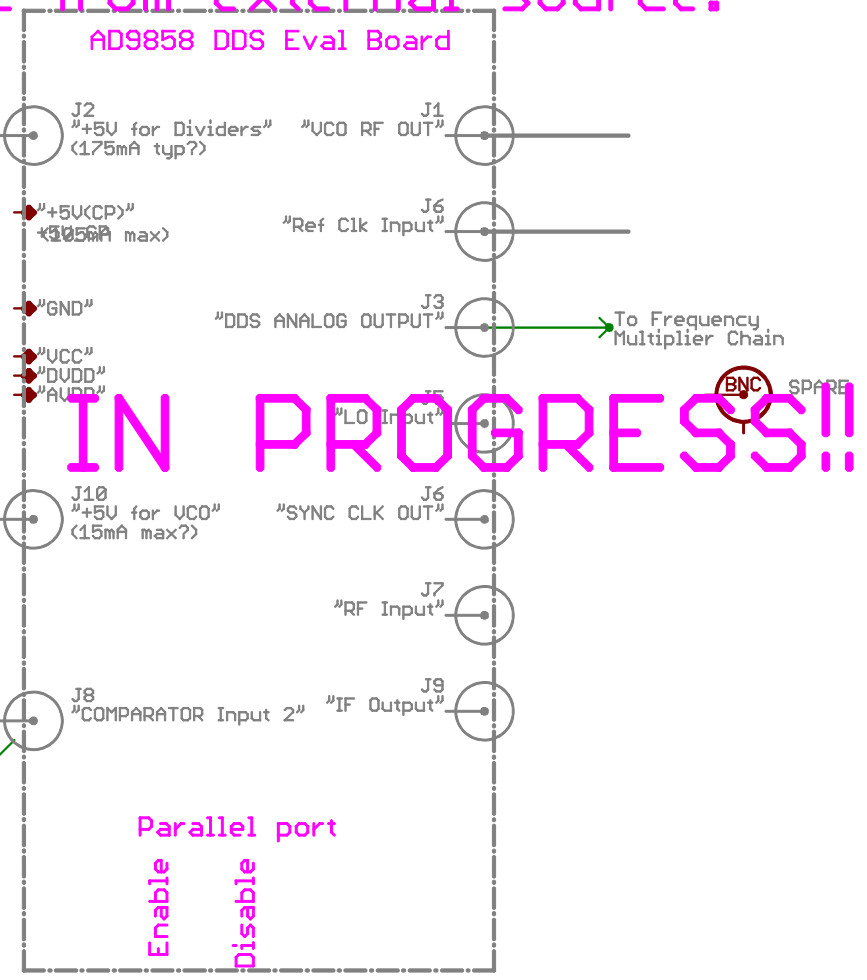
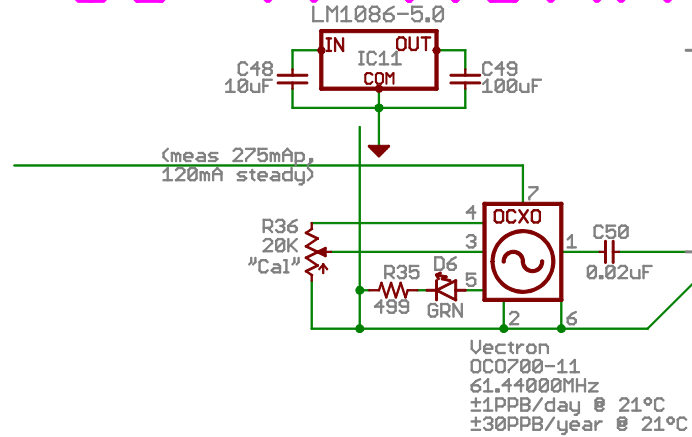
-	Feb'07	A.Stummer	This is a Chroma-Matic Rev:A board, can be fully assembled, runs the same firmware.
Ltr	Date	By	Description
REVISIONS			
University of Toronto Quantum Optics Group			"MicroMatic" Microwave Source J.Thywissen Lab
Drawn: A.Stummer Aug'06			Sheet: 1/3
Edited: 03/07/2007 10:01:59			REV: A



Version with 983.040MHz from external source.



THIS IS A WORK IN PROGRESS!!



University of Toronto Quantum Optics Group
"MicroMatic" Microwave Source
Edited: 03/07/2007 10:01:59
Sheet: 3/3
REV:

MicroMatic :File