

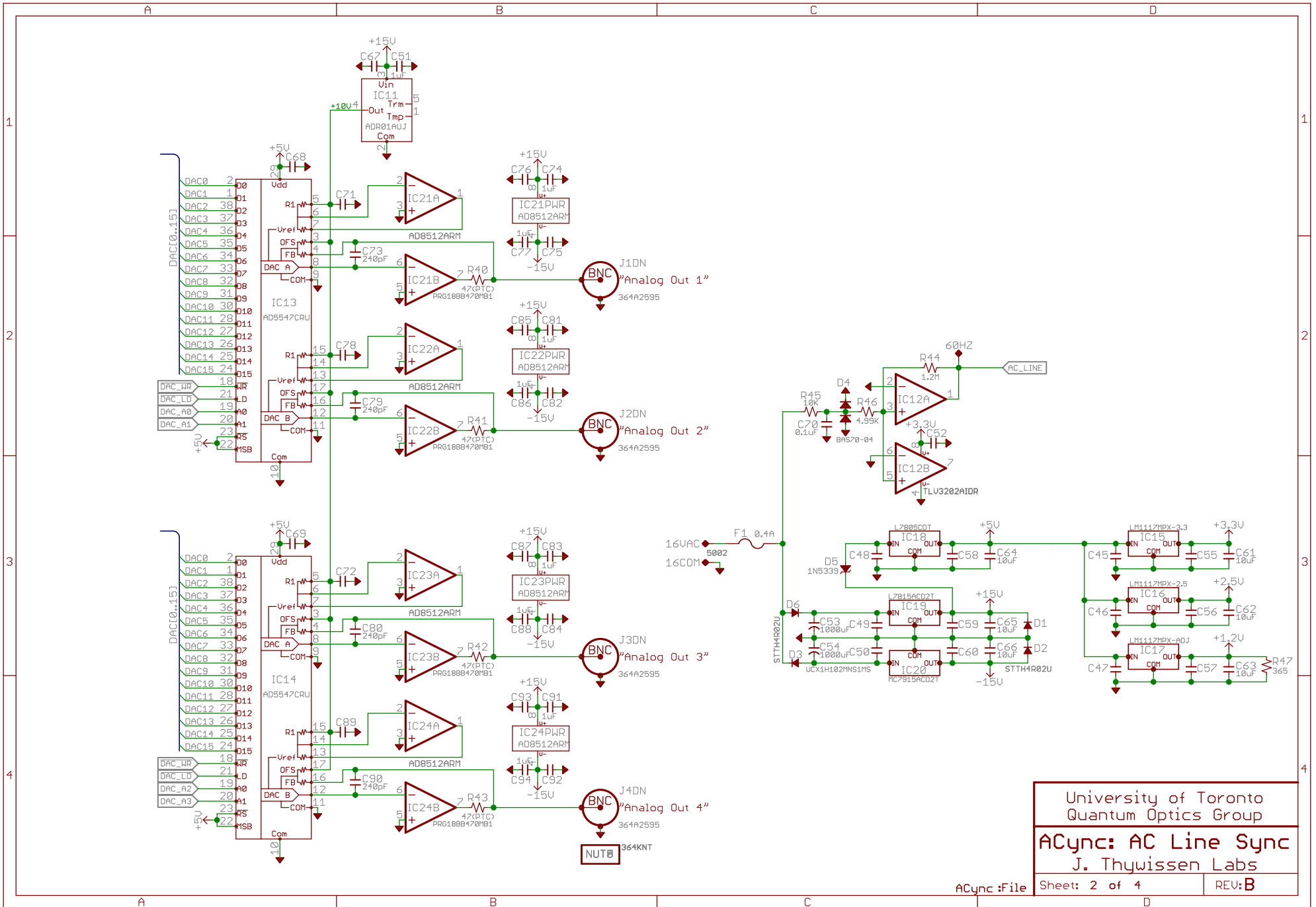
- NUT2** 364KNT
- AC** WAU16-100 16VAC/400mA
- CASE1** PBPDA19001UNF Hammond
- CASE2** Custom cover

White Wire Fixes:
 - Both ADCs, lift both SPI pins (14, 19) and jumper to +2.5V (15, 20).

DESIGN NOTES:
 - Change IC10 AD8512 to MSOP from SSOP.
 - What is the +1.2V dummy load R47 doing way over there in the corner??
 - Flip around config bypass C97.

- Notes:**
- 1) Be aware that the two 10-bit buffers are different (+3.3V and +5V).
 - 2) The pot is panel mounted and wired to the PCB.
 - 3) Output resistors are PTC current limiters.
 - 4) FPGA can be any speed, any temperature range.

B	'15 Mar	A.Stummer	Major overhaul to 16-bit
Ltr	Date	By	REVISION DESCRIPTION
University of Toronto, Quantum Optics Group			
Design: A. Stummer (2015 Feb)		ACync: AC Line Sync	
Date: 2015 Feb		J. Thywissen Labs	
Edited: 27/03/2015 13:36:10		File: ACync	
Sheet: 1 of 4		REV: B	

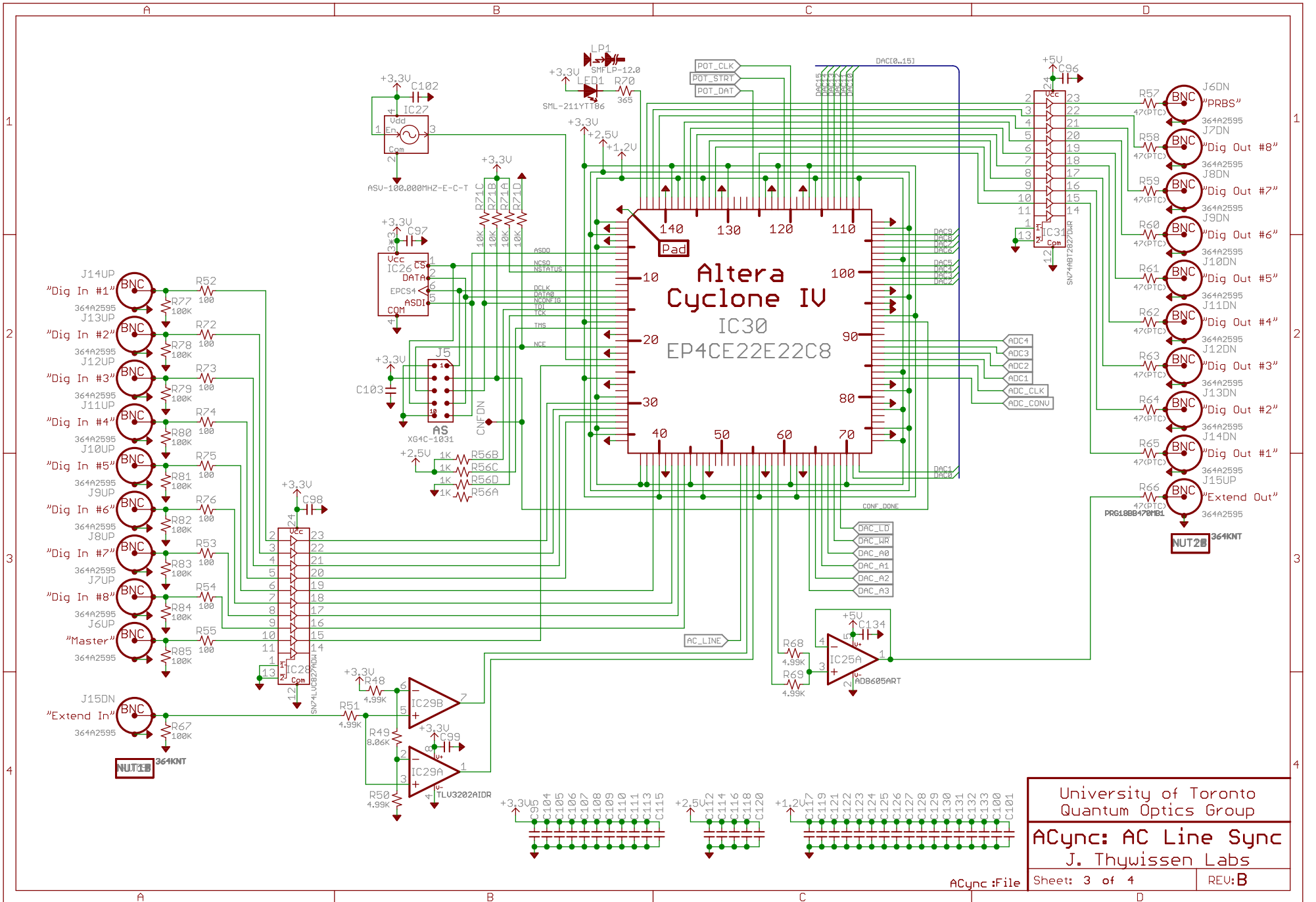


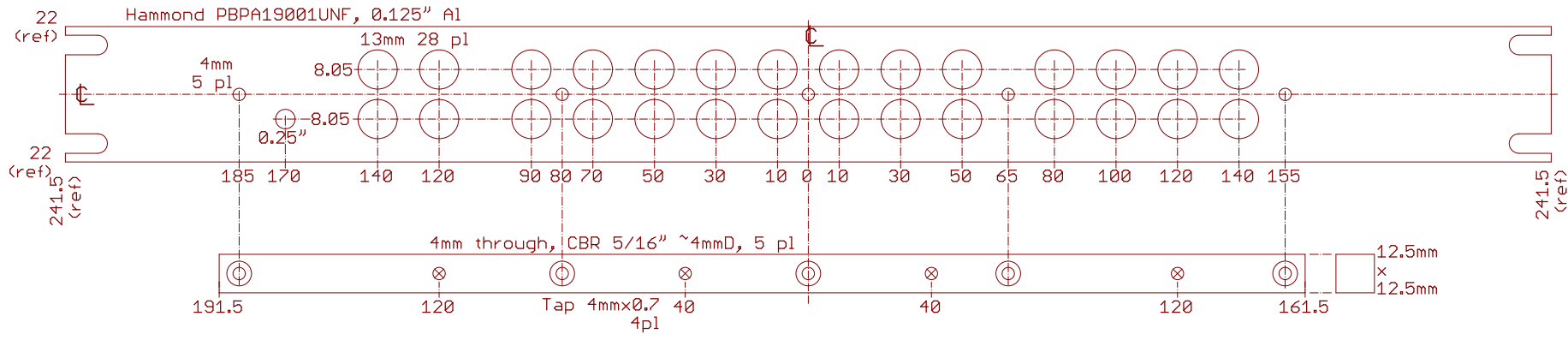
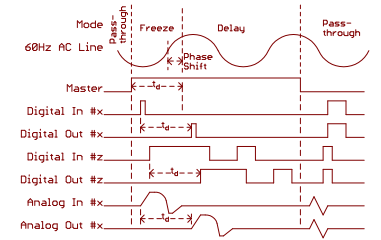
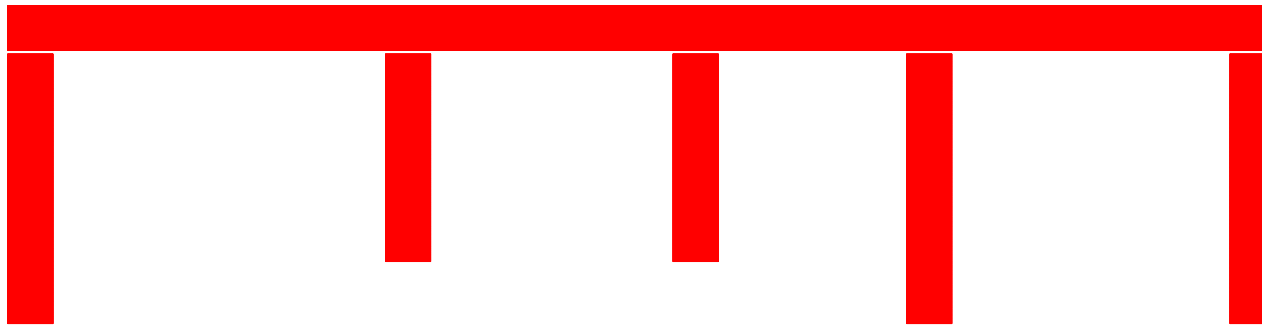
University of Toronto
 Quantum Optics Group
ACync: AC Line Sync
 J. Thywissen Labs

ACync :File

Sheet: 2 of 4

REV: B





Assembly Hardware
 4mm x 10mm: 3
 4mm x 12mm: 10
 4mm x 25mm: 2

