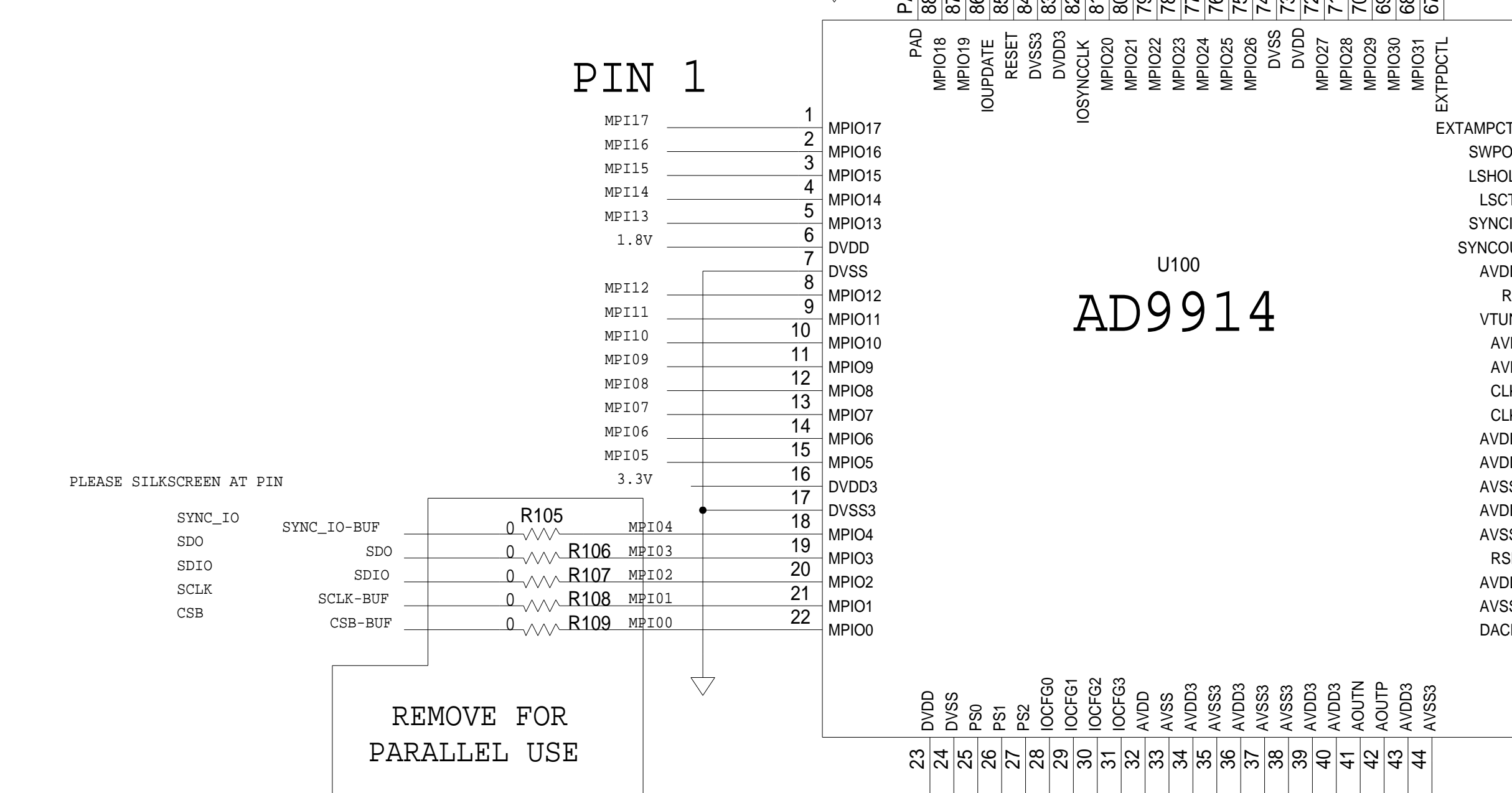
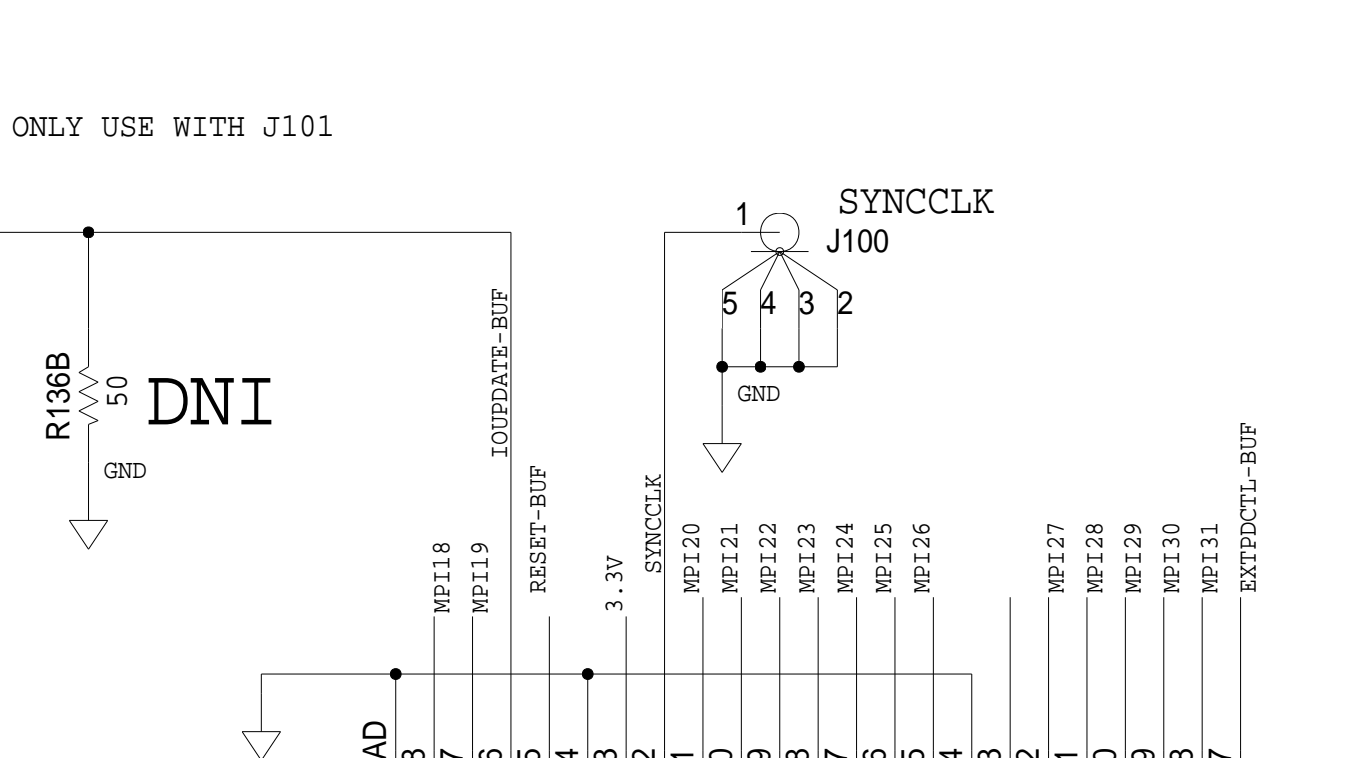
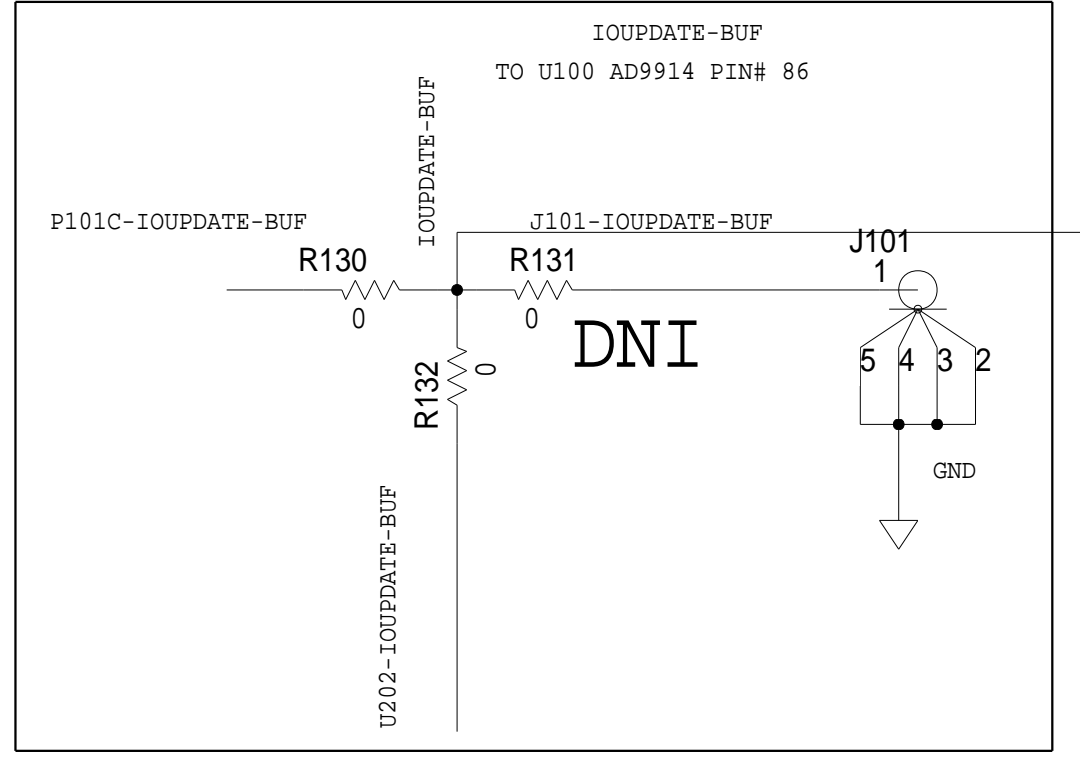
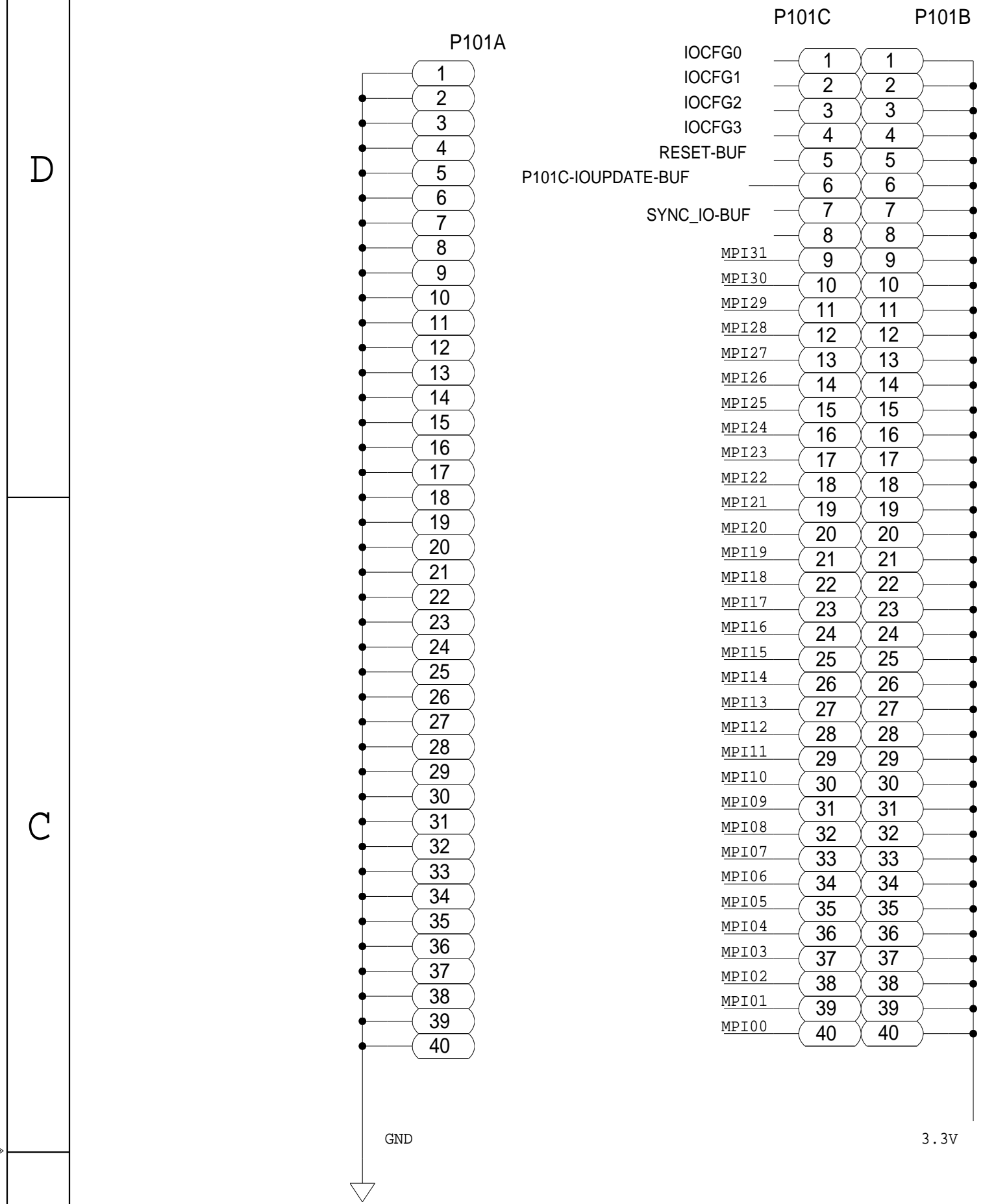
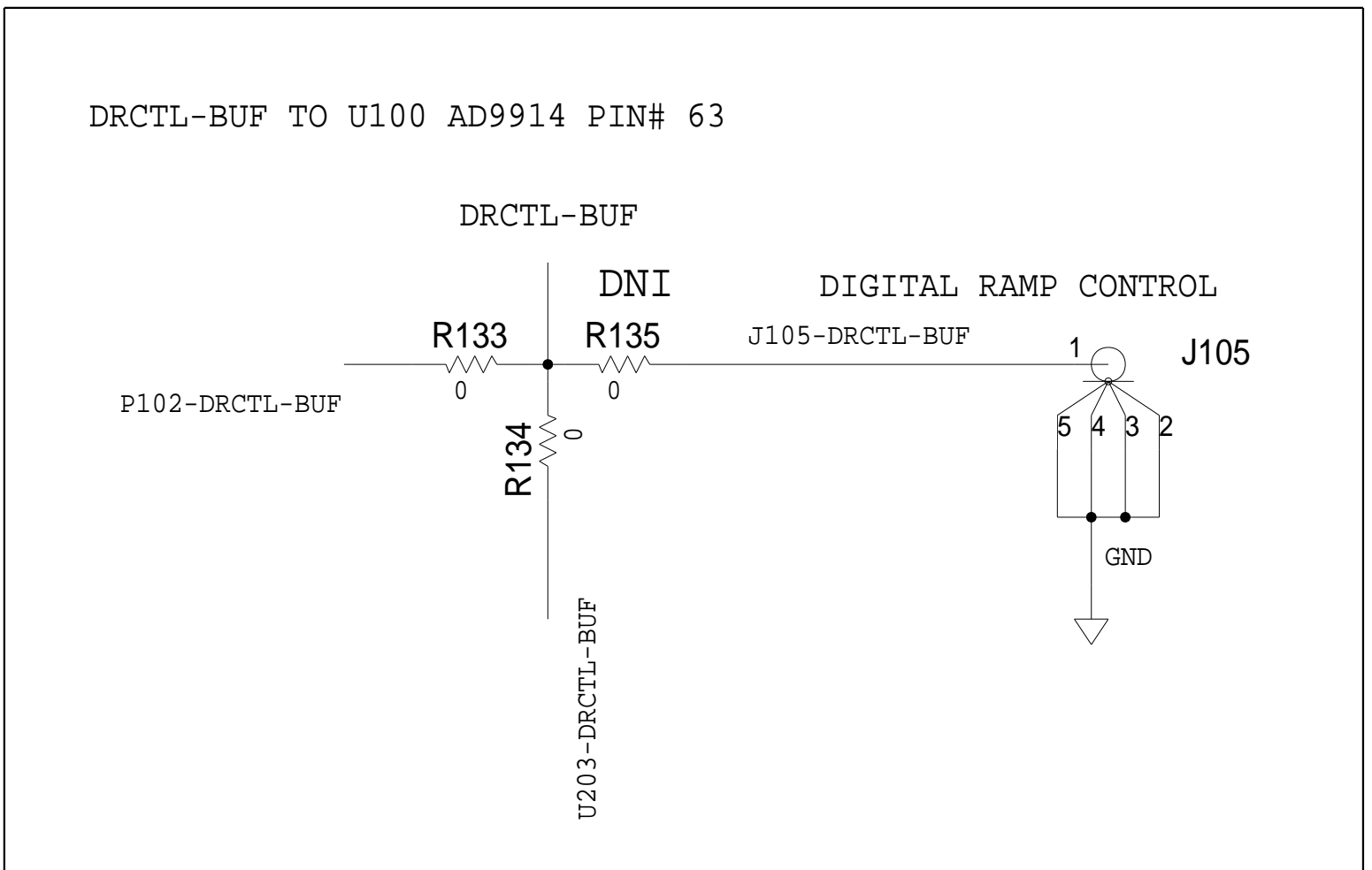
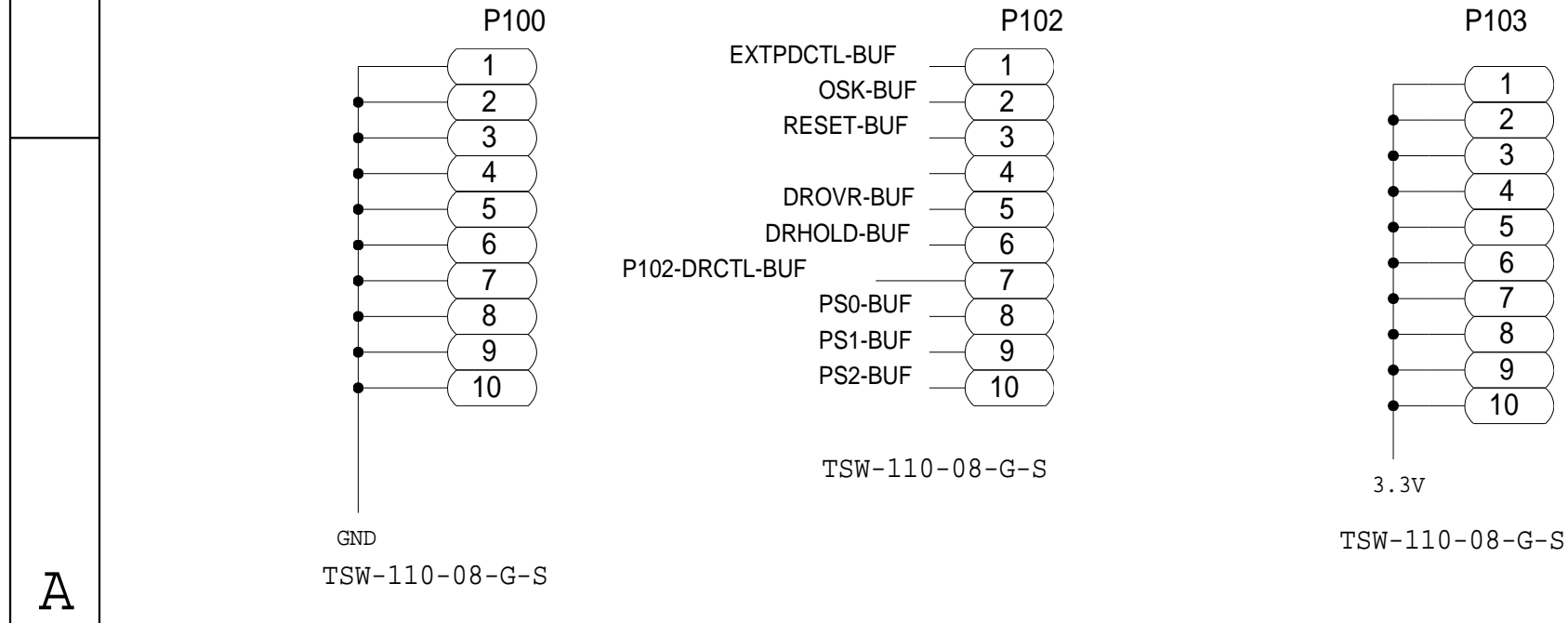


CONFIGURE AS TRIPLE ROW HEADER  
 LABEL ALL SIGNALS ON SILKSCREEN AT PIN  
 LABEL POWER/GND ON BOTH EDGES OF HEADER



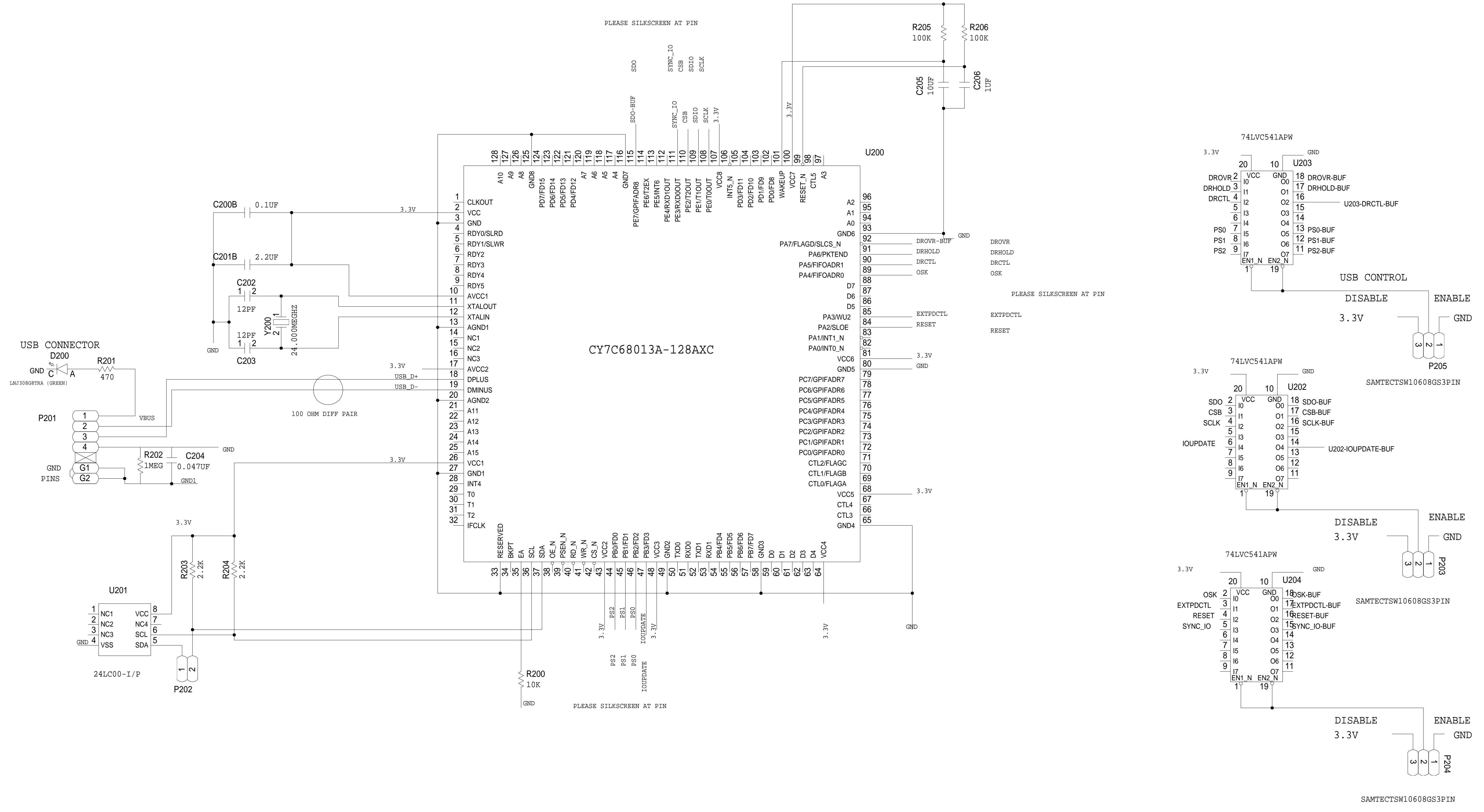
CONFIGURE AS TRIPLE ROW HEADER  
 LABEL ALL SIGNALS ON SILKSCREEN AT PIN  
 LABEL POWER/GND ON BOTH EDGES OF HEADER



REVISIONS			
REV	DESCRIPTION	DATE	APPROVED

	<b>SCHEMATIC</b>		
	<DRAWING_TITLE_HEADER> AD9914 ENGINEERING BD.		
	DESIGN VIEW <DESIGN_VIEW>	DRAWING NO. 9914EE04	REV A
	PTD ENGINEER <PTD_ENGINEER>	SIZE D NONE	SCALE SHEET 1 OF 3

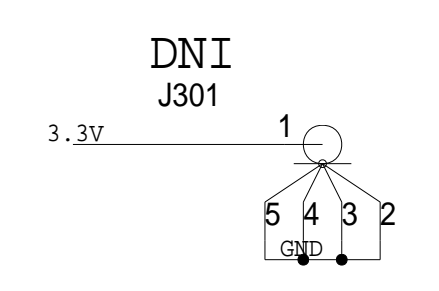
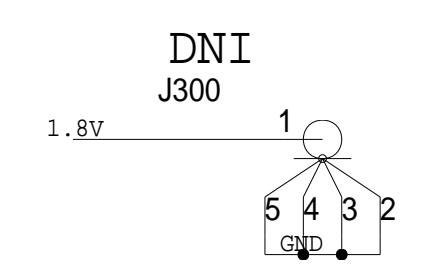
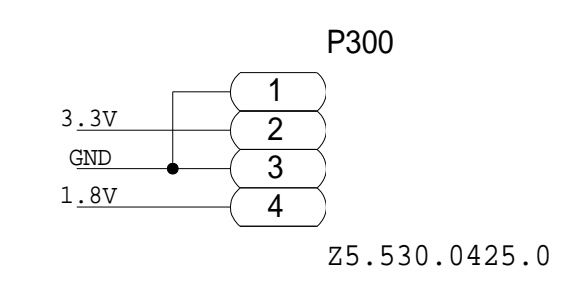
REVISIONS			
REV	DESCRIPTION	DATE	APPROVED



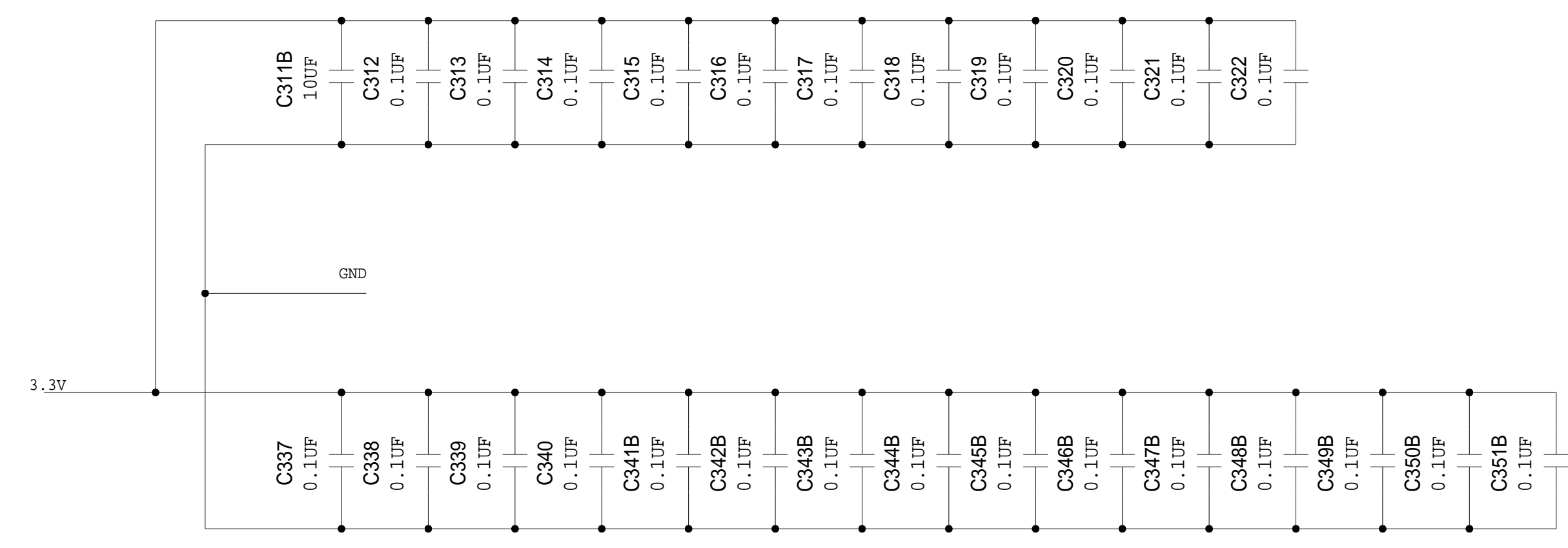
	<b>SCHEMATIC</b>		
	<DRAWING_TITLE_HEADER> AD9914 ENGINEERING BD.		
	DESIGN VIEW <DESIGN_VIEW>	DRAWING NO. 9914EE04	REV A
	PTD ENGINEER <PTD_ENGINEER>	SIZE <b>D</b>	SCALE NONE
SHEET 2 OF 3			

REVISIONS			
REV	DESCRIPTION	DATE	APPROVED

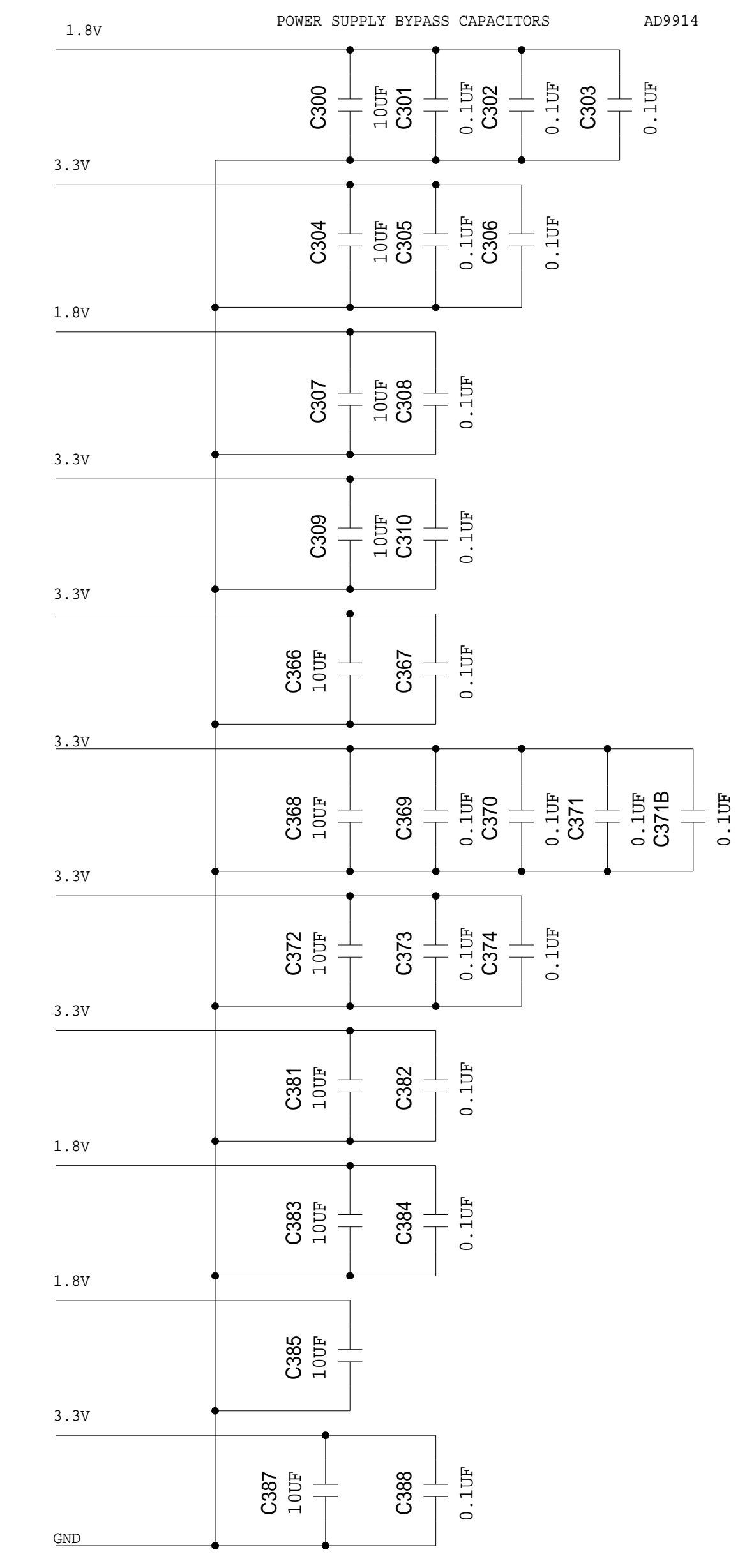
**POWER SUPPLY HOOKUP**  
 LABEL ALL SUPPLY NAMES ON SILKSCREEN AT PIN



POWER SUPPLY BYPASS CAPACITORS CYP7C68013A



POWER SUPPLY BYPASS CAPACITORS AD9914



	<b>SCHMATIC</b>		
	<DRAWING_TITLE_HEADER> AD9914 ENGINEERING BD.		
	DESIGN VIEW <DESIGN_VIEW>	DRAWING NO. 9914EE04	REV A
	PTD ENGINEER <PTD_ENGINEER>	SIZE <b>D</b>	SCALE NONE
		SHEET 3 OF 3	

D  
C  
B  
A

D  
C  
B  
A

8 7 6 5 4 3 2 1

8 7 6 5 4 3 2 1