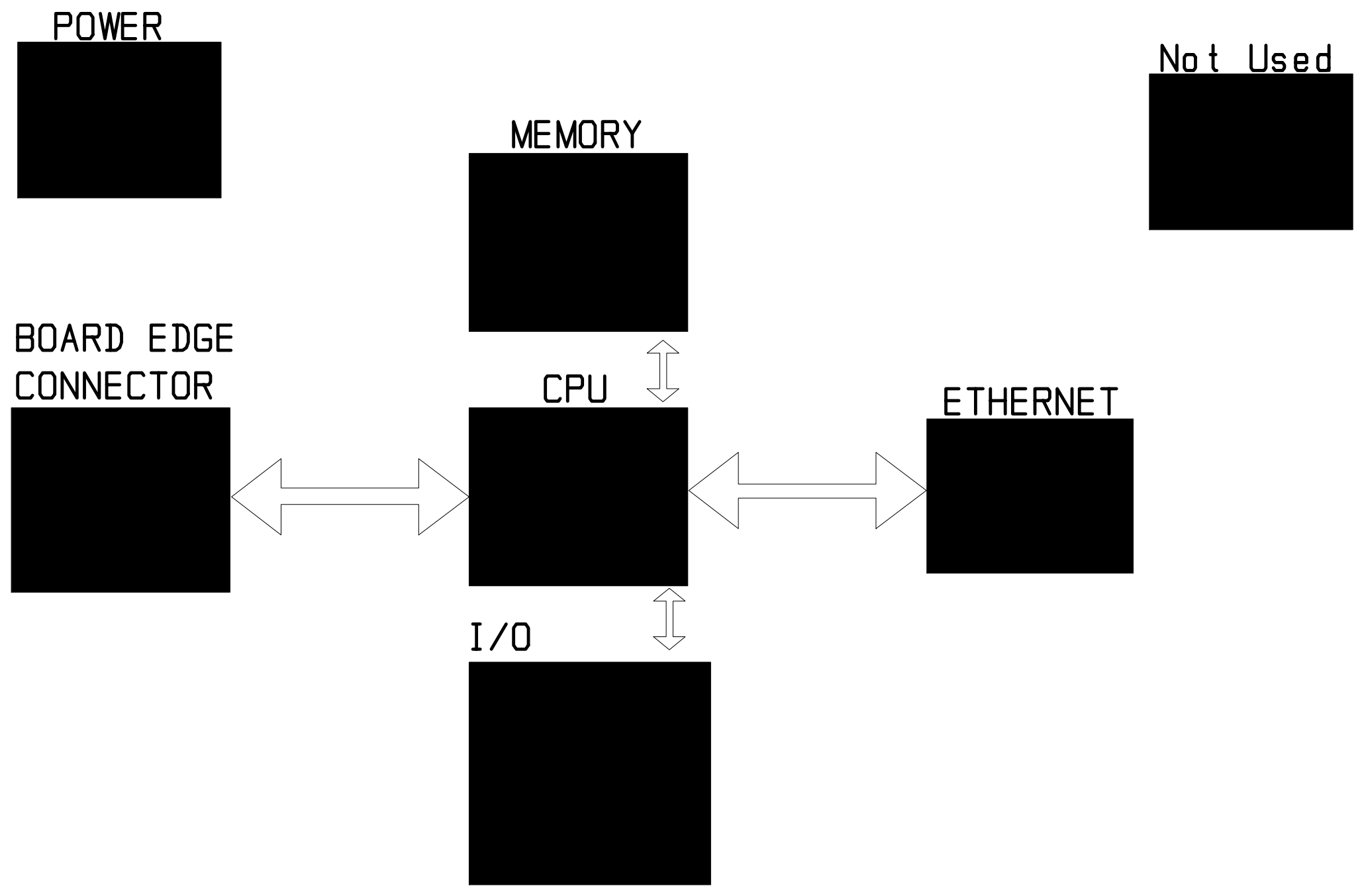


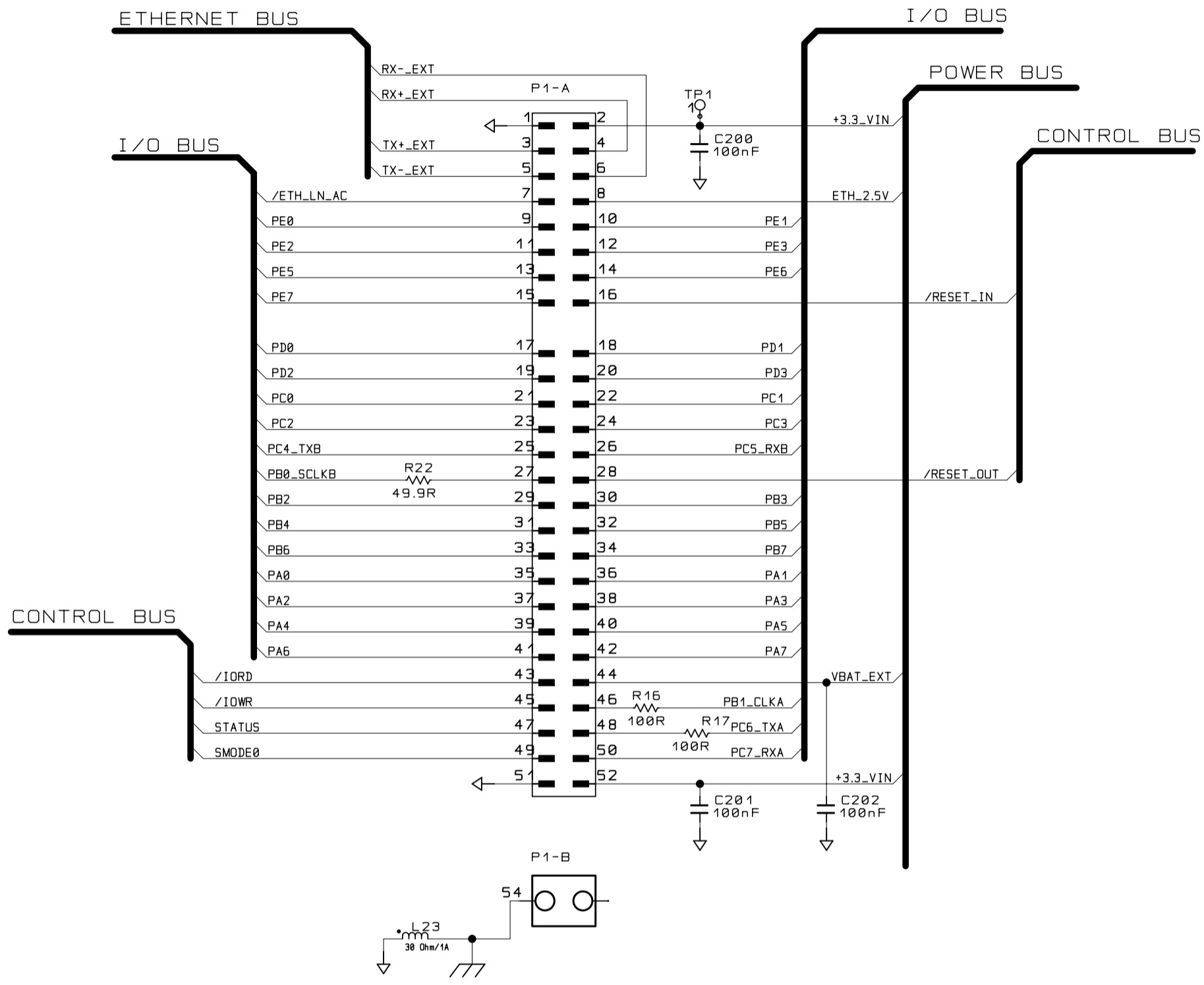
# RABBIT RCM6700 BLOCK DIAGRAM



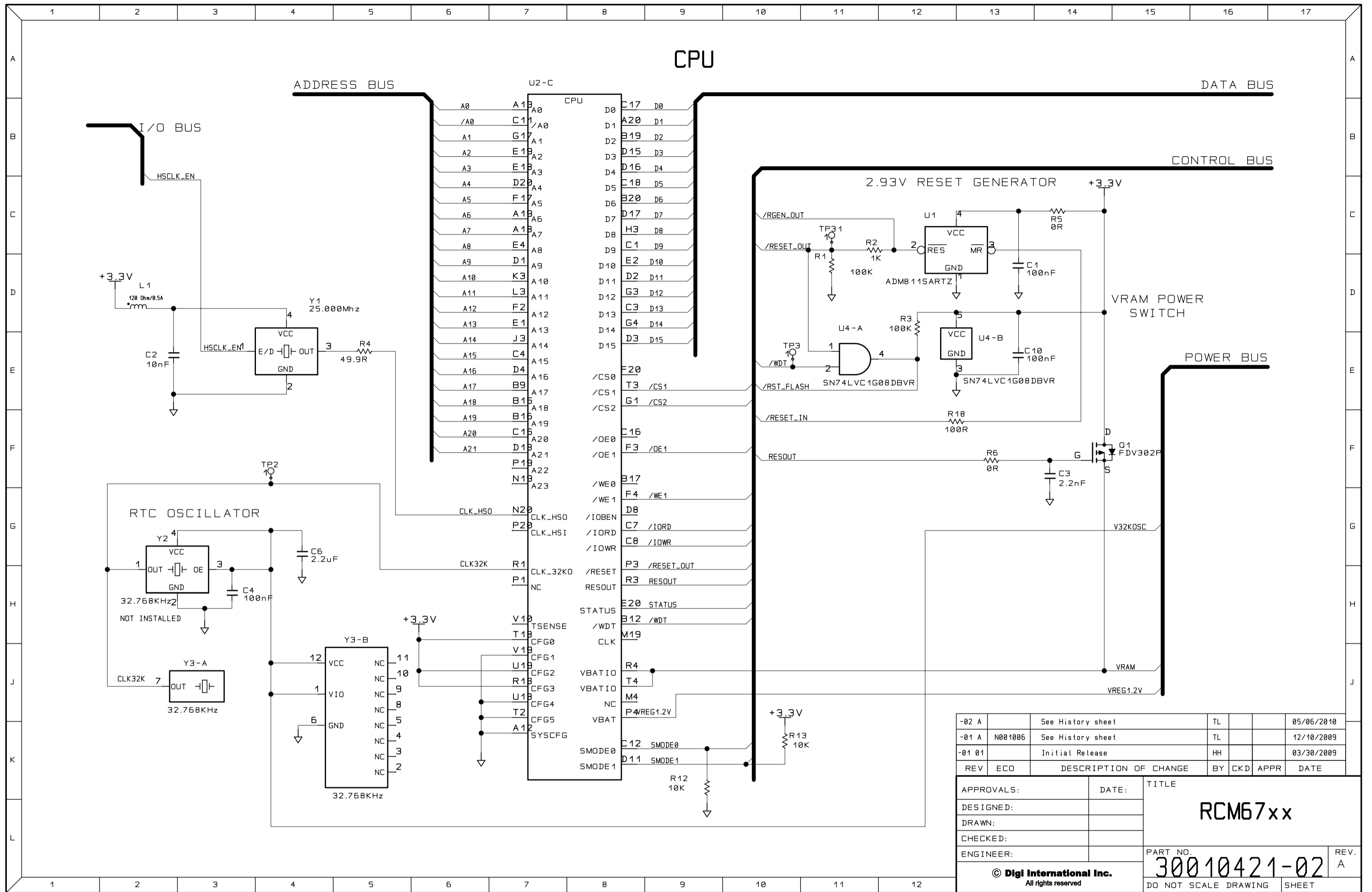
| -02 A  |         | See History sheet     | TL |     |      | 05/06/2010 |
|--------|---------|-----------------------|----|-----|------|------------|
| -01 A  | N001006 | See History sheet     | TL |     |      | 12/10/2009 |
| -01 01 |         | Initial Release       | HH |     |      | 03/30/2009 |
| REV    | ECO     | DESCRIPTION OF CHANGE | BY | CKD | APPR | DATE       |

|  |       |                      |               |
|--|-------|----------------------|---------------|
| APPROVALS:                                       | DATE: | TITLE                |               |
| DESIGNED:  |       | <b>RCM67xx</b>       |               |
| DRAWN:   |       |                      |               |
| CHECKED:   |       |                      |               |
| ENGINEER:  |       |                      |               |
| © Digi International Inc.<br>All rights reserved |       | PART NO.             | REV.          |
|  |       | <b>30010421-02</b>   | <b>A</b>      |
|  |       | DO NOT SCALE DRAWING | SHEET 10 of 9 |

# BOARD EDGE CONNECTOR



| -02 A  | See History sheet | TL                    |                  | 05/06/2010 |      |      |
|--|-------------------|-----------------------|------------------|------------|------|------|
| -01 A  | N001006           | TL                    |                  | 12/10/2009 |      |      |
| -01 01   | Initial Release   | HH                    |                  | 03/30/2009 |      |      |
| REV  | ECO               | DESCRIPTION OF CHANGE | BY               | CKD        | APPR | DATE |
| APPROVALS:   |                   | DATE:                 | TITLE            |            |      |      |
| DESIGNED:  |                   |                       | <h2>RCM67xx</h2> |            |      |      |
| DRAWN:   |                   |                       |                  |            |      |      |
| CHECKED:   |                   |                       |                  |            |      |      |
| ENGINEER:  |                   |                       |                  |            |      |      |
| <b>© Digi International Inc.</b><br><small>All rights reserved</small> |                   | PART NO.              |                  | REV.       |      |      |
|  |                   | 30010421-02           |                  | A          |      |      |
| DO NOT SCALE DRAWING   |                   |                       | SHEET            |            |      |      |

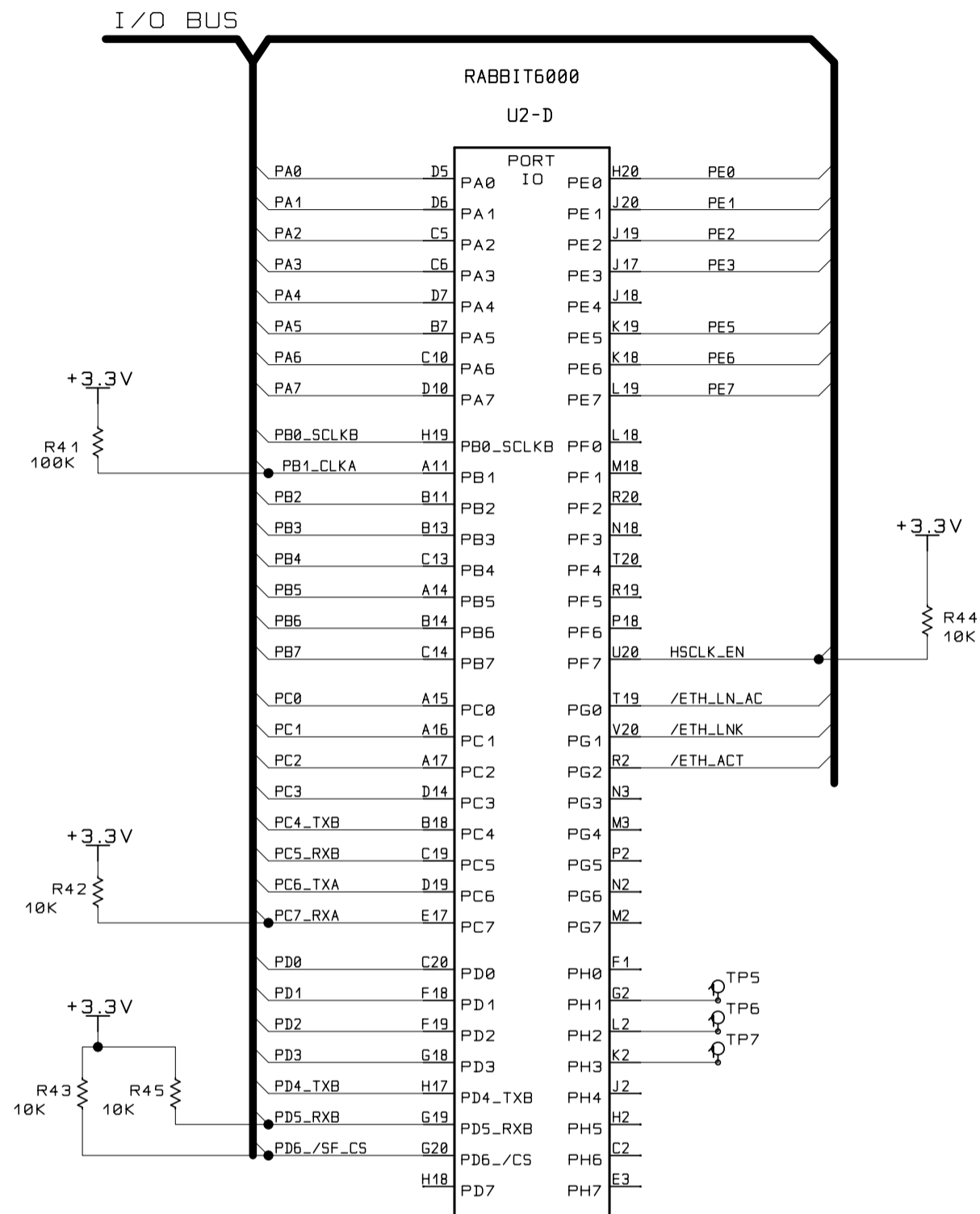


| -02 A  |         | See History sheet     | TL |     | 05/05/2010 |      |
|--------|---------|-----------------------|----|-----|------------|------|
| -01 A  | N001005 | See History sheet     | TL |     | 12/10/2009 |      |
| -01 01 |         | Initial Release       | HH |     | 03/30/2009 |      |
| REV    | ECO     | DESCRIPTION OF CHANGE | BY | CKD | APPR       | DATE |

|  |       |                                |
|--|-------|--------------------------------|
| APPROVALS:                                       | DATE: | TITLE                          |
| DESIGNED:  |       | <b>RCM67xx</b>                 |
| DRAWN:   |       |                                |
| CHECKED:   |       |                                |
| ENGINEER:  |       |                                |
| © Digi International Inc.<br>All rights reserved |       | PART NO.<br><b>30010421-02</b> |
|  |       | REV.<br>A                      |
|  |       | DO NOT SCALE DRAWING SHEET     |

# I/O



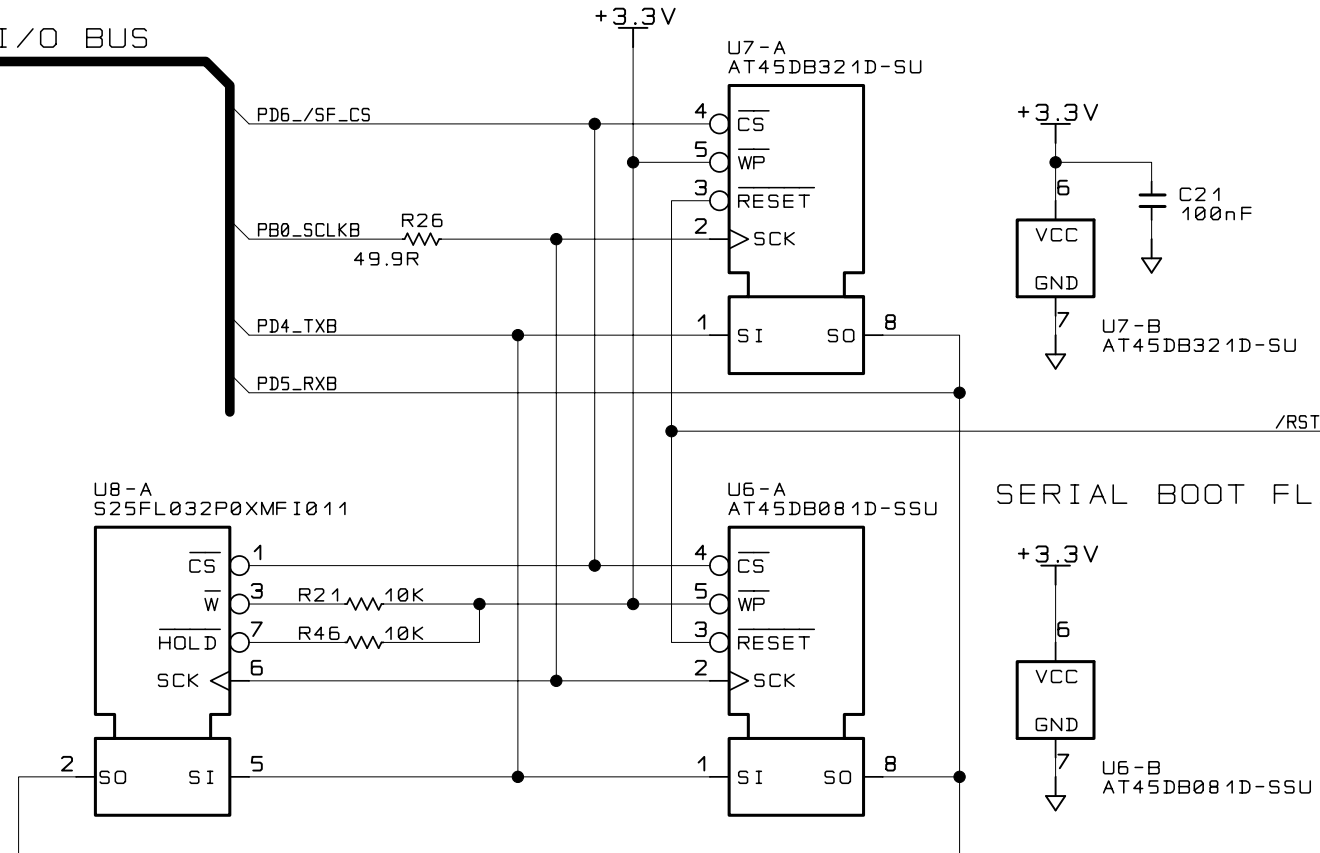
| -02 A  |         | See History sheet     | TL             |       | 05/06/2010 |      |
|--|---------|-----------------------|----------------|-------|------------|------|
| -01 A  | N001005 | See History sheet     | TL             |       | 12/10/2009 |      |
| -01 01   |         | Initial Release       | HH             |       | 03/30/2009 |      |
| REV  | ECO     | DESCRIPTION OF CHANGE | BY             | CKD   | APPR       | DATE |
| APPROVALS:                                       |         | DATE:                 | TITLE          |       |            |      |
| DESIGNED:  |         |                       | <b>RCM67xx</b> |       |            |      |
| DRAWN:   |         |                       |                |       |            |      |
| CHECKED:   |         |                       |                |       |            |      |
| ENGINEER:  |         |                       |                |       |            |      |
| © Digi International Inc.<br>All rights reserved |         | PART NO.              | 30010421-02    |       | REV.       | A    |
|  |         | DO NOT SCALE DRAWING  |                | SHEET |            |      |

# MEMORY

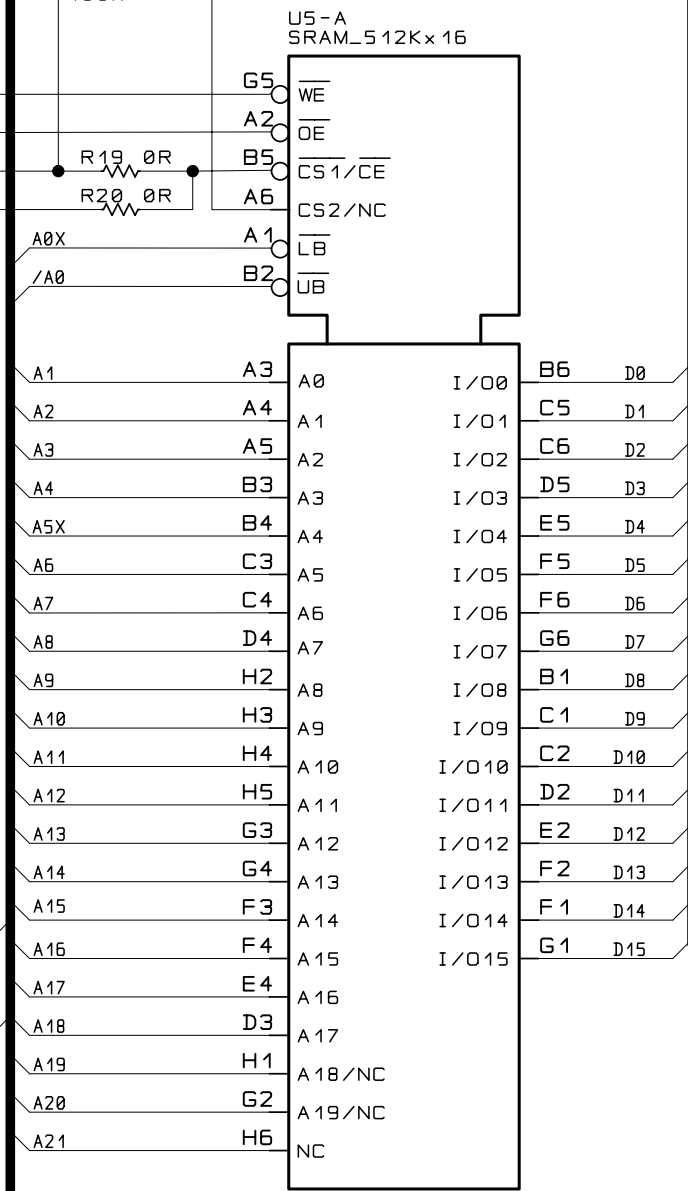
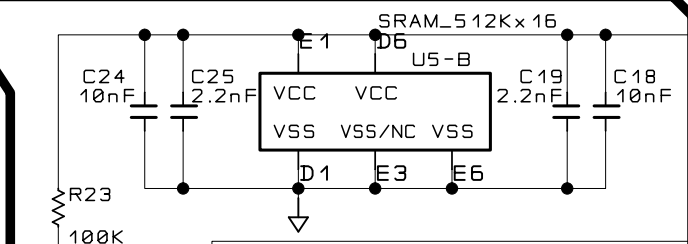
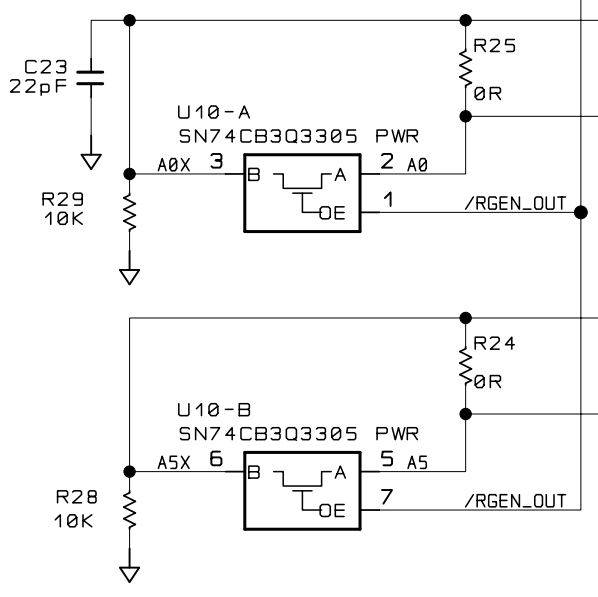
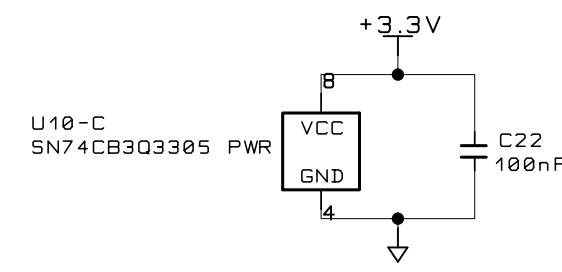
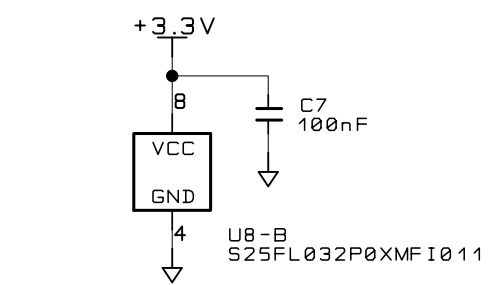
DATA BUS  
ADDRESS BUS  
CONTROL BUS  
I/O BUS



For Fast SRAM populate R30  
For Low Power SRAM populate R32



SERIAL BOOT FLASH

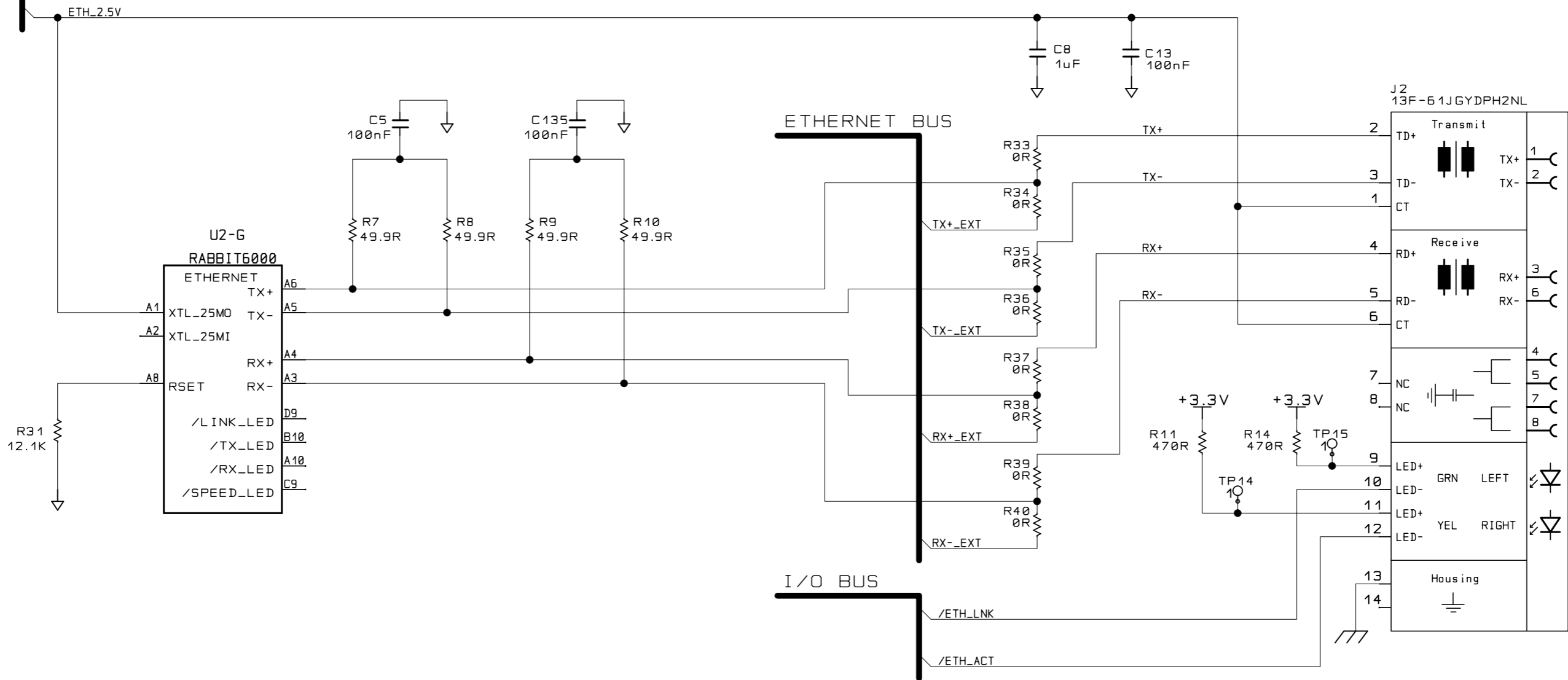


| -02 A  |         | See History sheet     | TL |     | 05/06/2010 |      |
|--------|---------|-----------------------|----|-----|------------|------|
| -01 A  | N001006 | See History sheet     | TL |     | 12/10/2009 |      |
| -01 01 |         | Initial Release       | HH |     | 03/30/2009 |      |
| REV    | ECO     | DESCRIPTION OF CHANGE | BY | CKD | APPR       | DATE |

|  |       |                                |
|--|-------|--------------------------------|
| APPROVALS:                                       | DATE: | TITLE                          |
| DESIGNED:  |       | <b>RCM67xx</b>                 |
| DRAWN:   |       |                                |
| CHECKED:   |       |                                |
| ENGINEER:  |       |                                |
| © Digi International Inc.<br>All rights reserved |       | PART NO.<br><b>30010421-02</b> |
|  |       | REV.<br>A                      |
|  |       | DO NOT SCALE DRAWING SHEET     |

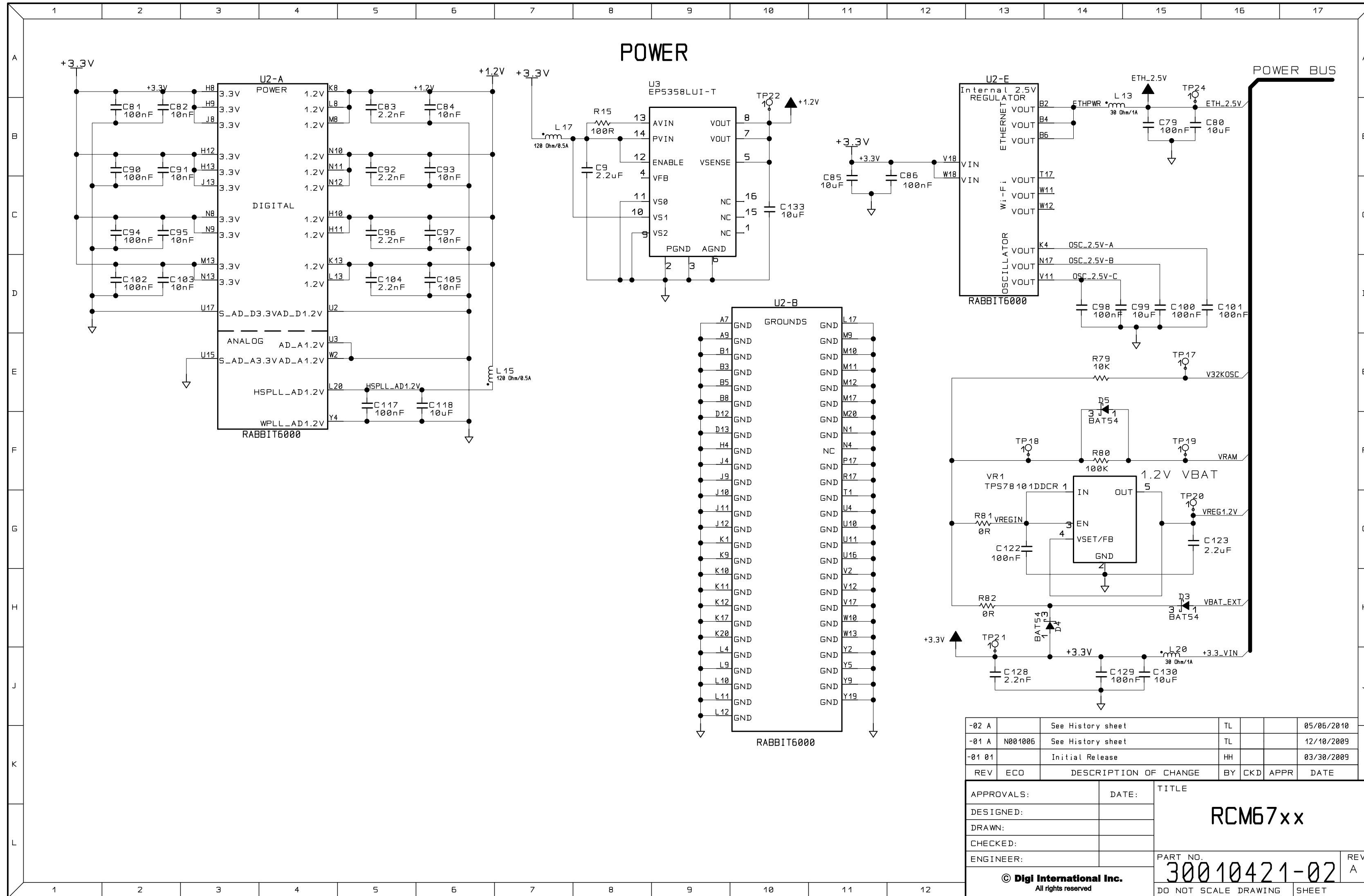
# ETHERNET

POWER BUS



|        |         |                       |    |     |            |      |
|--------|---------|-----------------------|----|-----|------------|------|
| -02 A  |         | See History sheet     | TL |     | 05/05/2010 |      |
| -01 A  | N001006 | See History sheet     | TL |     | 12/10/2009 |      |
| -01 01 |         | Initial Release       | HH |     | 03/30/2009 |      |
| REV    | ECO     | DESCRIPTION OF CHANGE | BY | CKD | APPR       | DATE |

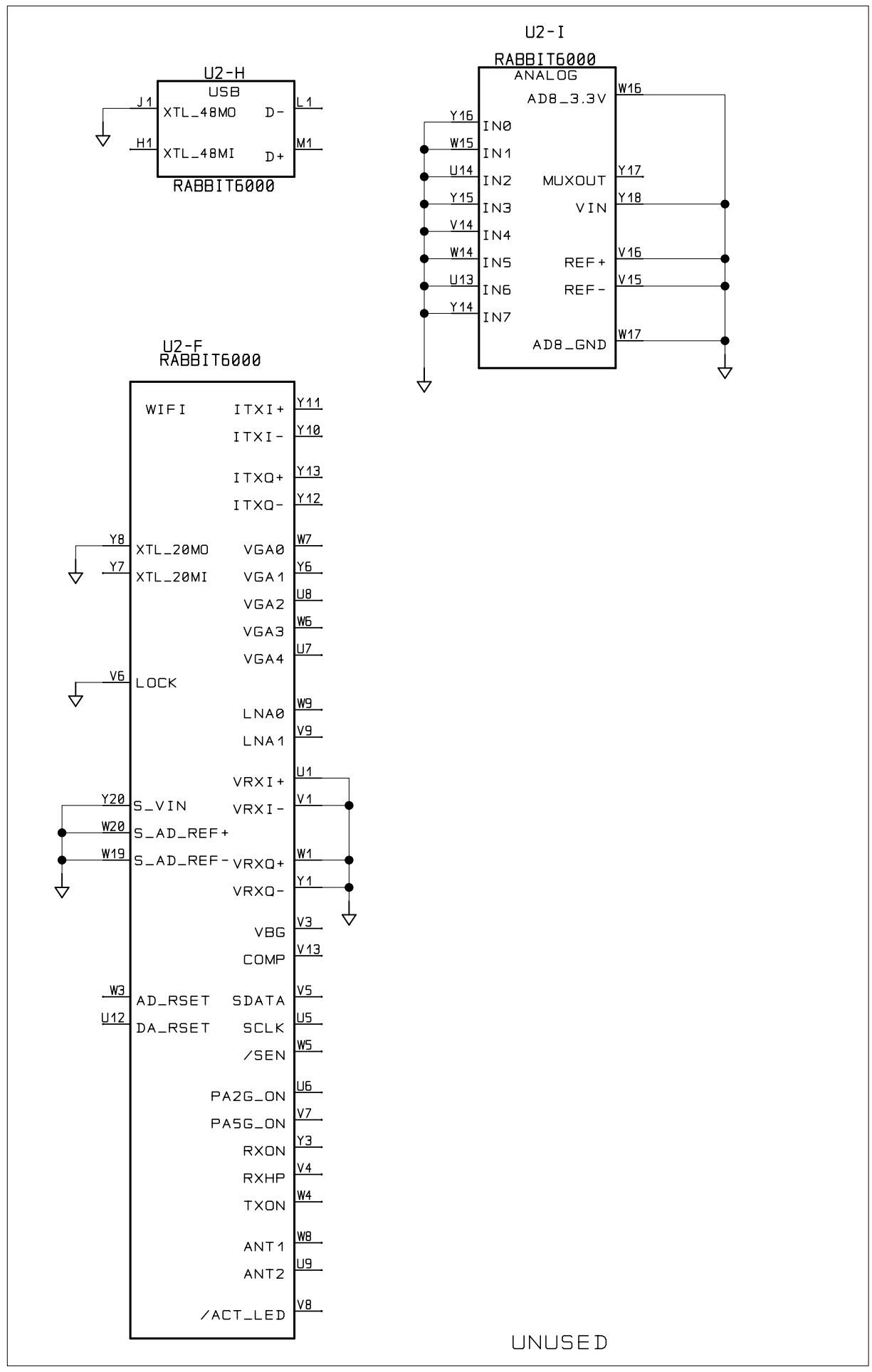
|  |       |                                |
|--|-------|--------------------------------|
| APPROVALS:                                       | DATE: | TITLE                          |
| DESIGNED:  |       | <b>RCM67xx</b>                 |
| DRAWN:   |       |                                |
| CHECKED:   |       |                                |
| ENGINEER:  |       |                                |
| © Digi International Inc.<br>All rights reserved |       | PART NO.<br><b>30010421-02</b> |
|  |       | REV.<br>A                      |
|  |       | DO NOT SCALE DRAWING SHEET     |



|        |                           |                       |    |               |
|--------|---------------------------|-----------------------|----|---------------|
| -02 A  | See History sheet         | TL                    |    | 05/05/2010    |
| -01 A  | N001006 See History sheet | TL                    |    | 12/10/2009    |
| -01 01 | Initial Release           | HH                    |    | 03/30/2009    |
| REV    | ECO                       | DESCRIPTION OF CHANGE | BY | CKD APPR DATE |

|  |       |                                |
|--|-------|--------------------------------|
| APPROVALS:                                       | DATE: | TITLE                          |
| DESIGNED:  |       | <b>RCM67xx</b>                 |
| DRAWN:   |       |                                |
| CHECKED:   |       |                                |
| ENGINEER:  |       |                                |
| © Digi International Inc.<br>All rights reserved |       | PART NO.<br><b>30010421-02</b> |
| DO NOT SCALE DRAWING                             |       | REV.<br>A                      |
| SHEET  |       |                                |

# TABLES



UNUSED

EB  
30010428-02  
STENCIL

PCB2  
30010422-02  
PCB

| -02 A  | See History sheet         | TL                    |    | 05/06/2010 |      |      |
|--------|---------------------------|-----------------------|----|------------|------|------|
| -01 A  | N001006 See History sheet | TL                    |    | 12/10/2009 |      |      |
| -01 01 | Initial Release           | HH                    |    | 03/30/2009 |      |      |
| REV    | ECO                       | DESCRIPTION OF CHANGE | BY | CKD        | APPR | DATE |

|  |       |                                |
|--|-------|--------------------------------|
| APPROVALS:                                       | DATE: | TITLE                          |
| DESIGNED:  |       | <b>RCM67xx</b>                 |
| DRAWN:   |       |                                |
| CHECKED:   |       |                                |
| ENGINEER:  |       |                                |
| © Digi International Inc.<br>All rights reserved |       | PART NO.<br><b>30010421-02</b> |
|  |       | REV.<br>A                      |
|  |       | DO NOT SCALE DRAWING SHEET     |



Rev\_01 to Rev\_A Change List

1. The internal Ethernet PHY of the Rabbit 6000 requires to connect the 2.5V power output from the Rabbit 6000 to the center tap of the Ethernet connector. The 2.5V voltage has been routed to the Tx and Rx center taps of the on-board connector.
2. The Ethernet Activity LED pin has been used to bring out the 2.5V center tap voltage on the MiniCore edge connector. That is, the RCM67xx will no longer bring out a dedicated Ethernet Activity LED signal, but will instead bring out the 2.5V center tap voltage at that location.
3. The Ethernet Link LED pin has been replaced with a GPIO driven combined Link & Activity signal on the MiniCore edge connector. That is, the RCM67xx will no longer bring out a dedicated Ethernet Link LED signal, but will instead bring out a software controlled combined Link & Activity signal at that location. PG0 GPIO pin has been connected to the edge connector as the combined Link & Activity signal.
4. The Ethernet Link LED and Activity LED pins have been replaced with GPIOs on the on-board RJ45 connector. That is, the RCM67xx will software emulate the LED signals of the RJ45 connector. PG1 and PG2 GPIO pins have been dedicated to LINK and ACTIVITY LED signals, respectively.
5. Connect both /CS1 and /CS2 to the /CE pin of the SRAM via zero ohm jumpers. Battery backed SRAM goes on /CS1 while fast SRAM goes on /CS2. Only battery-backed SRAM needs the 100k pull-up.
6. Add 25-series serial flash as a population option.

-01 Rev\_A to -02 Rev\_A Change List

1. Layout change only: the RJ45 Ethernet connector has been centered /displaced by 19 mil/ from the original off-center position.

| -02 A  |         | See History sheet     | TL             |     |                      | 05/06/2010 |
|--|---------|-----------------------|----------------|-----|----------------------|------------|
| -01 A  | N001006 | See History sheet     | TL             |     |                      | 12/10/2009 |
| -01 01   |         | Initial Release       | HH             |     |                      | 03/30/2009 |
| REV  | ECO     | DESCRIPTION OF CHANGE | BY             | CKD | APPR                 | DATE       |
| APPROVALS:                                       |         | DATE:                 | TITLE          |     |                      |            |
| DESIGNED:  |         |                       | <b>RCM67xx</b> |     |                      |            |
| DRAWN:   |         |                       |                |     |                      |            |
| CHECKED:   |         |                       |                |     |                      |            |
| ENGINEER:  |         |                       |                |     |                      |            |
| © Digi International Inc.<br>All rights reserved |         | PART NO.              | 30010421-02    |     | REV.                 | A          |
|  |         |                       |                |     | DO NOT SCALE DRAWING | SHEET      |