

**BOM:**  
 Driver IC sockets: e.g. Mill-Max 210-93-624-41-001000 (ED60004-ND)  
 Quad 47 Ohm: Panasonic EXB-U8U470JU (Y4470CT-ND)  
 Quad 470 Ohm: Panasonic EXB-U8U471JU (Y4471CT-ND)

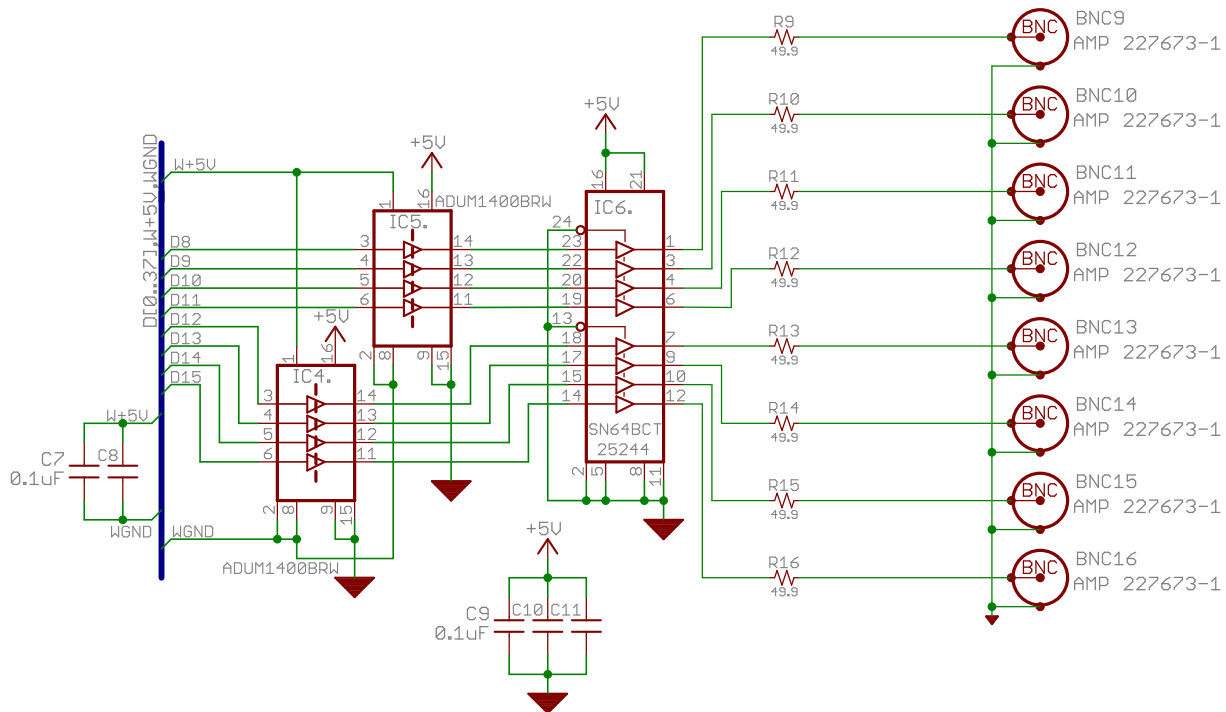
**NOTES:**  
 1) Current from Ad-Win +5V is <1mA + 24mA/octet of I/O.  
 2) Measured on BNC side +5V is 214mA.  
 3) Alternate name is "Buffy the Transient Slayer", thanks to Marcius.

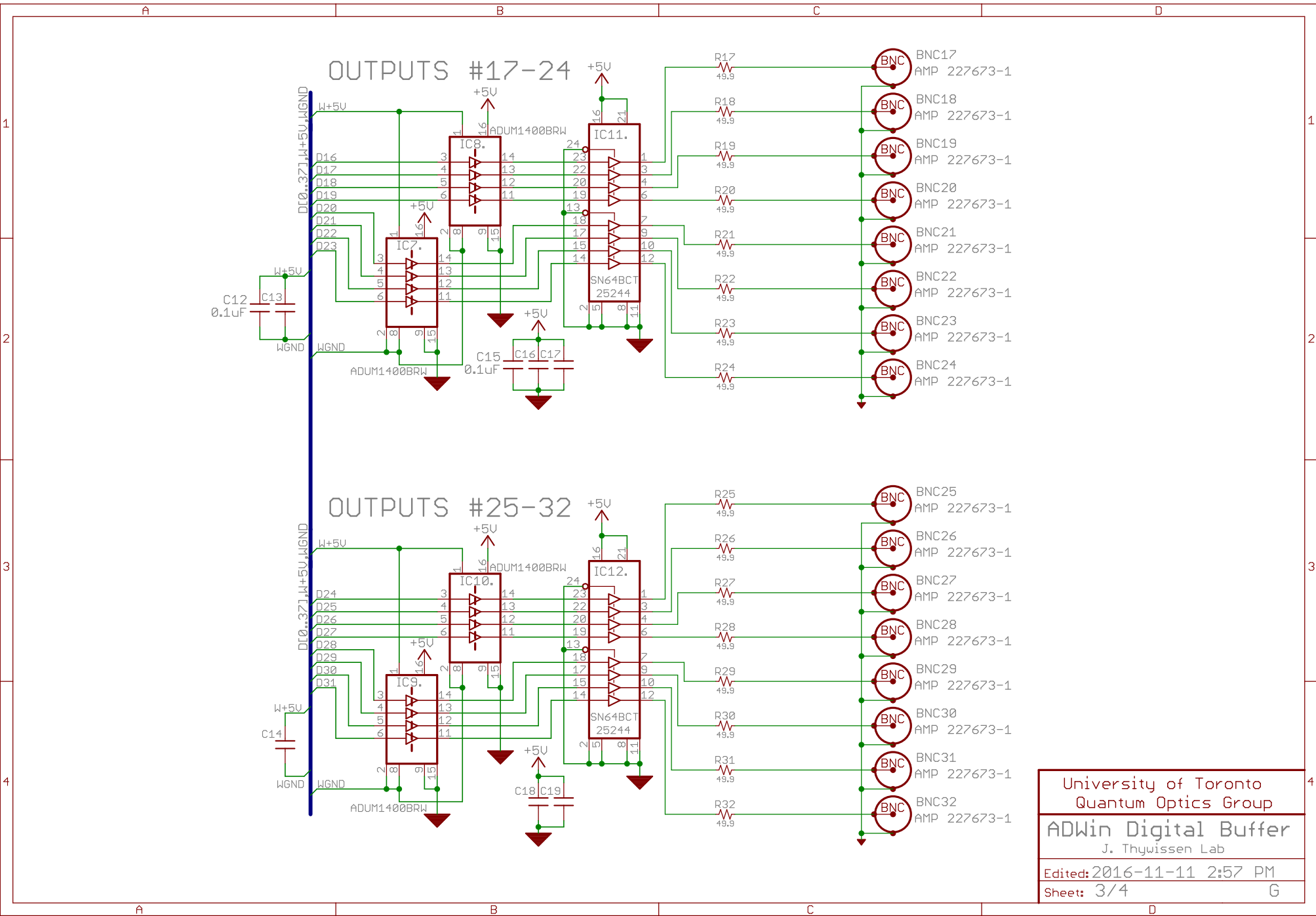
Ltr	Date	By	Description
G	Nov'16	AS	Removed LEDs.
F	Jun'12	AS	Changed fuse, minor cleanups.
E1	Dec'07	AS	Added missing grounds on most BNCs.
D	Aug'05	AS	Added fuse, new GMR devices, removed inputs.
C	Feb'04	AS/SM	Minor changes after assy.
B	Feb'04	AS/SM	Respin of PCB, new dimensions.

UNIVERSITY OF TORONTO		ADWin Digital Buffer	
Quantum Optics Group		J. Thywissen Labs	
Drawn: A. Stummer	S. Myrskog	Feb'04	
Edited: 2016-11-11 2:57 PM		Sheet: 1/4	REV: G

AdWin Buffer, digital :File

# OUTPUTS #9-16





2U panel, such as Bud PA-1102, 0.13" Aluminum

