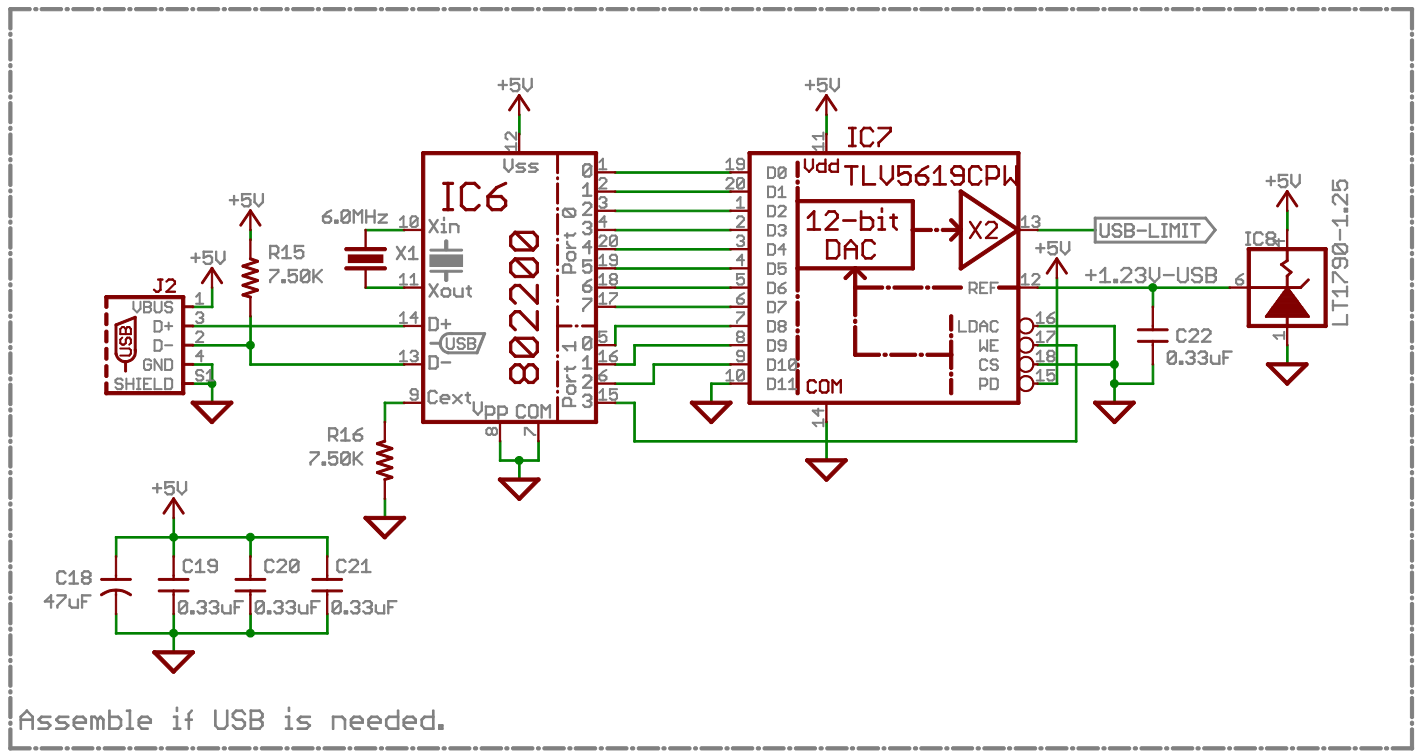


Assemble if USB is needed.

- NOTES:
- 7) All diodes 1N4004WDICT.
  - 6) USB range <12mA to pot setting (limited by IC2 output saturation).
  - 5) +8V can be from hard-wired 8V adaptor. Bypass D1 and IC1.
  - 4) +5V source is from USB, can be +0.5V, floating relative to +8V and AGND.
  - 3) USB connector is Assmann Isic1 AU-Y1007.
  - 2) All 10uF caps are >=16V, Kemet T494 series, e.g. T494B106K016AS.
  - 1) All resistors are 1% 0805, all capacitors 10% 0805, unless otherwise mentioned.

B	June '05	A.Stummer	Fix IC2-3, add -0.7V, misc minor.
Ltr	Date	By	Description
REVISIONS			
University of Toronto		Dwg: Mini-Laser Driver	
Quantum Optics Group		A. Steinberg Labs	
Drawn: Alan Stummer Feb'04		Edited: 6/14/2005 04:53:52p	
File: Mini-Laser Driver (USB)		Sheet: 1/2	REV: B



Assemble if USB is needed.

- NOTES:1
- 4) +5V source is from USB, can be +/-0.5V.
  - 3) USB connector is Assmann [sic] AU-Y1007.
  - 2) All 10uF caps are >=16V, Kemet T494 series, e.g. T494B106K016AS.
  - 1) All resistors are 1% 0805, all capacitors 10% 0805, unless otherwise mentioned.

University of Toronto Quantum Optics Group	Dwg: Mini-Laser Driver A. Steinberg Labs
File: Mini-Laser Driver (USB)	Edited: 6/14/2005 04:53:52p
	Sheet: 2/2
	REV: B