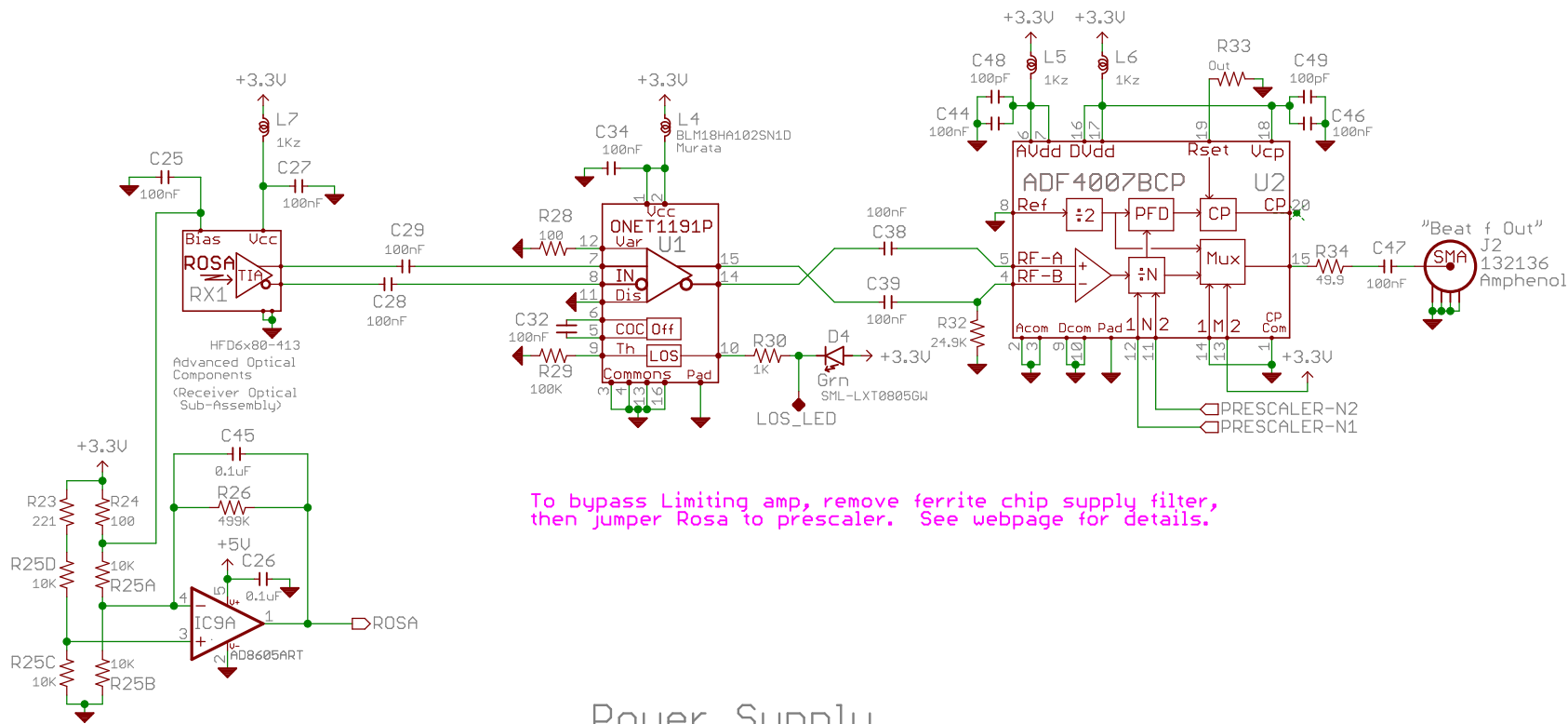
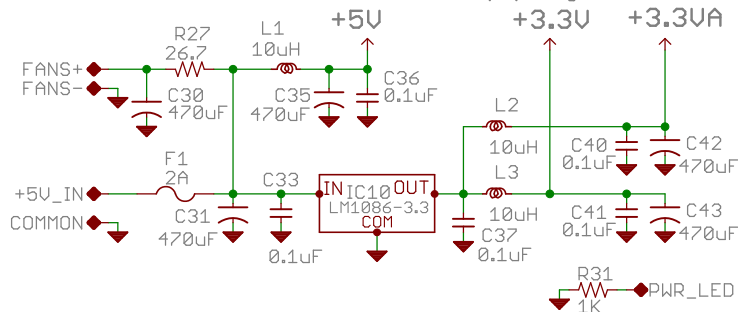


# Detector - Limiting Amp - Prescaler



To bypass Limiting amp, remove ferrite chip supply filter, then jumper Rosa to prescaler. See webpage for details.

## Power Supply



University of Toronto  
Quantum Optics Group

"Chroma-Matic"  
Laser Tuning

Edited:

Sheet:

REV: D

:File