

Data Sheet

CX60083-15/-2A

10 Gbps High Gain Limiting Amplifier

Key Features

- Limiting amplifier
- Integrated LOS and peak detect circuit
- Wide bandwidth and high sensitivity
- Compatible with DC- or AC-coupled input and output signals
- Fully differential architecture
- Optional single-ended input and/or output operation
- Available in a 32-terminal, 5 mm square EdQuad TQFP or as dice

Applications

- Fiber-optic communications (OC-48/OC-192)
- SONET/SDH test equipment
- Data communications

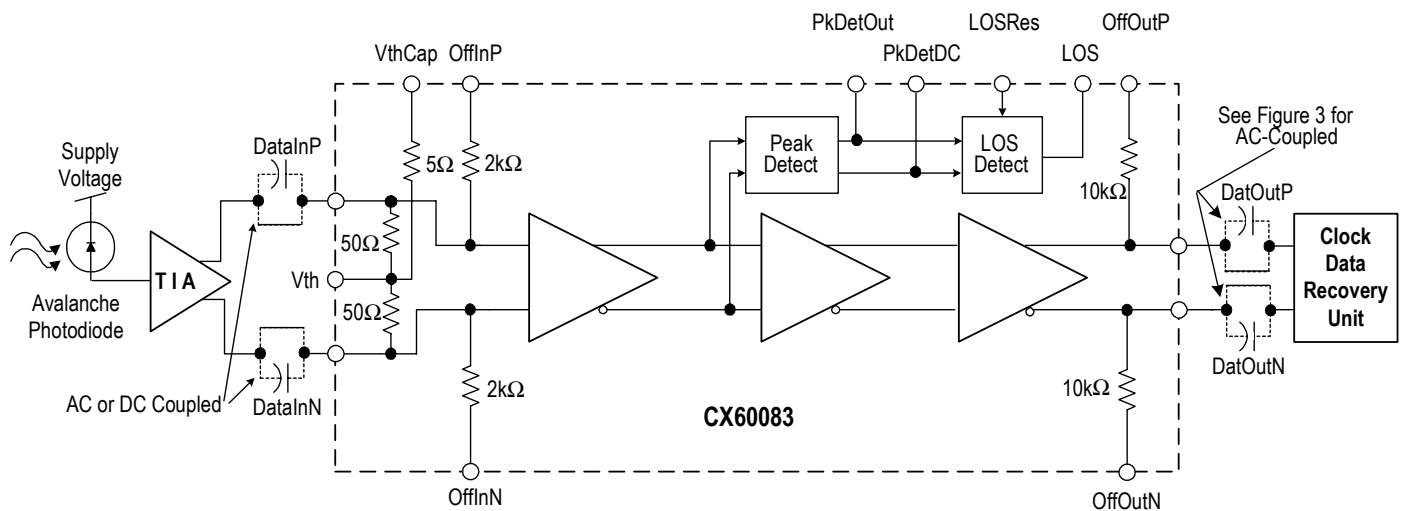
Product Description

The CX60083 is a high-gain, wide-bandwidth, limiting amplifier ideal for use as a post-amplifier in fiber-optic receivers. With its 10GHz bandwidth, this amplifier has been optimized for data rates up to 10.7 Gbps and has an input sensitivity (BER 10^{-10}) of 5 mV, differential. It accepts both single-ended and differential inputs and may be either AC- or DC-coupled. With approximately 39 dB of small signal gain, this amplifier can limit input voltages at or above 5 mV_{P-P} (single-ended) to an output voltage of 460 mV_{P-P} (single-ended).

An on-chip Loss of Signal (LOS) detection circuit with hysteresis provides an LOS output signal. A high-gain, on-chip, peak detector provides a DC output signal that is linearly proportional to the input signal amplitude. This signal can be used for Automatic Gain Control (AGC) of preceding amplifier stages or a custom LOS network. High-impedance differential outputs and inputs are available for input voltage offset correction.

The CX60083, as shown in Figure 7, is available in a 32-terminal flat pack or as shown in Figure 9 in die form. Figure 1 is the system block diagram.

Figure 1. CX60083 System Block Diagram



Signal Amplification and Termination

The CX60083 is optimized to accept up to 10.7 Gbps data on the 50 Ω inputs DataInP and DataInN. The input signal is amplified 39 dB up to approximately 460 mV_{PP} (single-ended) and is limited to this value with any further input signal increase. Data rates greater than 10.7 Gbps (including 12.5 Gbps) may be input but with reduced small signal gain.

The outputs are available at the DataOutP and DataOutN pins. The outputs have an internal 50 Ω impedance and are designed to drive a 50 Ω load. When terminated in 50 Ω , the outputs swing between approximately –50 mV and approximately +50 mV.

The DataInP and DataInN inputs can be driven either differentially or single-ended, and can be DC-coupled or AC-coupled. Each of the differential inputs has a 50 Ω resistor terminated to the Vth terminal. In most cases Vth is grounded. However, it may be necessary to connect Vth to a DC potential to ensure the input signal does not exceed the maximum or minimum CX60083 peak input voltage. These requirements are described in more detail in Figure 4 and in the application note CX60083AN1: Input and Output Interface Terminations. VthCap provides for additional (optional) decoupling of Vth.

Table 1 lists the CX60083 terminal name descriptions.

Table 1. Terminal Name Descriptions

Terminal Name	Terminal Number	Description	Signal
VthCap	2	Vth Decoupling	DC
DataInP	4	High-speed Input Data (non-inverting polarity)	RF ₍₁₎
DataInN	5	High-speed Input Data (inverting polarity)	RF ₍₁₎
Vth	7	DataIn termination (Input Common Mode Voltage input when AC-coupled)	Power
OffInN	10	Negative Offset Control Input	Analog
OffInP	11	Positive Offset Control Input	Analog
OffOutP	15	Offset Sense Output (non-inverting)	Analog
OffOutN	16	Offset Sense Output (inverting)	Analog
DataOutN	20	High-speed Output Data (inverting polarity)	RF ₍₁₎
DataOutP	21	High-speed Output Data (non-inverting polarity)	RF ₍₁₎
PkDetDC	27	Peak Detector DC Reference	DC
PkDetOut	28	Peak Detector Output	DC
LOSRes	29	Loss Of Signal threshold control resistor	DC
LOS	30	Loss Of Signal (active high)	DC
Vee	1, 8, 17, 24, 25, 32	Power Supply	Power
Gnd	3, 6, 9, 12, 13, 14, 18, 19, 22, 23, 26, 31	Ground	Power
EP	Exposed Paddle	Package or die backside	DC ₍₂₎

Note 1: These are 50 Ω matched terminals.

Note 2: The package or die backside should be well connected to ground using either conductive epoxy or solder.

Output Terminations

The outputs DataOutP and DataOutN can be either DC- or AC-coupled to the succeeding stage. For further details see Application Note CX60083 AN1.

Offset Sense and Compensation

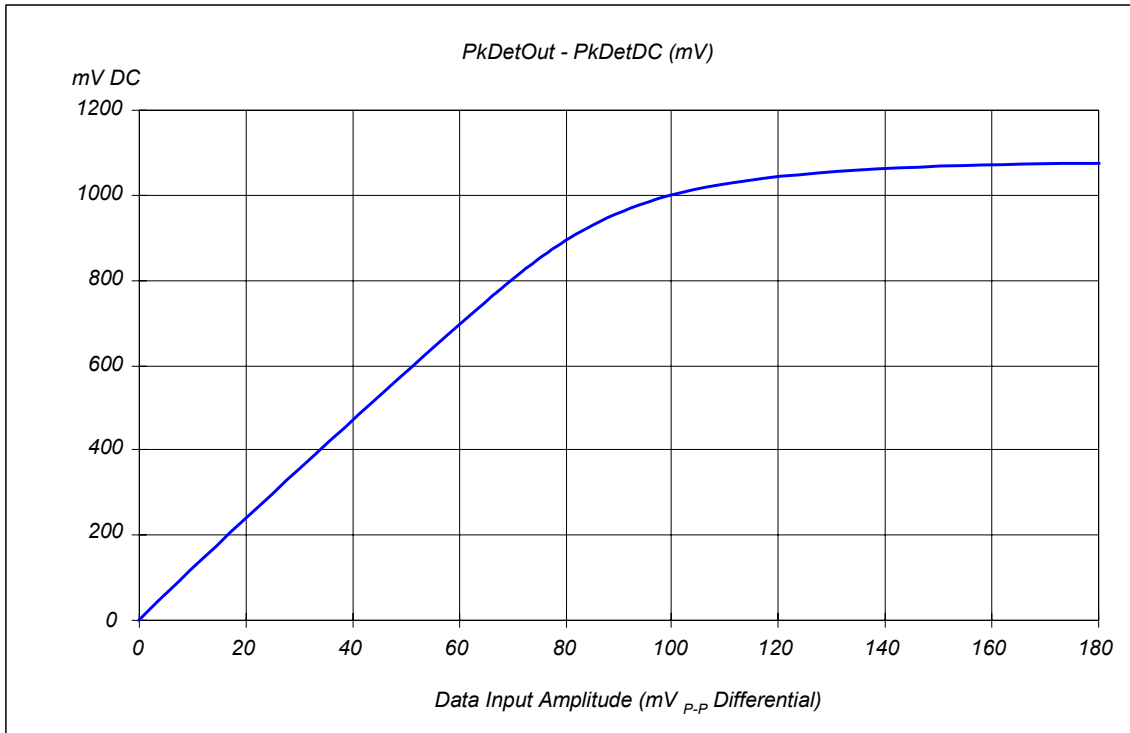
Differential output signals at DataOutP and DataOutN connect to pins OffOutP and OffOutN, respectively, via internal 10 k Ω resistors. These pins can be used to reduce output offset that might produce pulse width distortion. The offset sense outputs indicate any DC offset voltage between the differential outputs. They may be used in a feedback circuit to compensate for any internal voltage offset. The output of the offset compensation circuit may be applied to one or both of the input offset compensation pins: OffInP and OffInN.

Output Signal Peak Detection

The on-chip peak detector generates a DC voltage on PkDetOut, which is proportional to the input signal amplitude. The PkDetDC output is the DC reference voltage for the PkDetOut output signal. The difference between the PkDetOut and PkDetDC pins is a voltage, which is

approximately linearly proportional to the input signal amplitude. The relationship of PkDetOut-PkDetDC, as a function of the input signal amplitude, (differential, peak-to-peak) is illustrated in Figure 2.

Figure 2. Peak Detector Transfer Function Characteristics



Loss of Signal

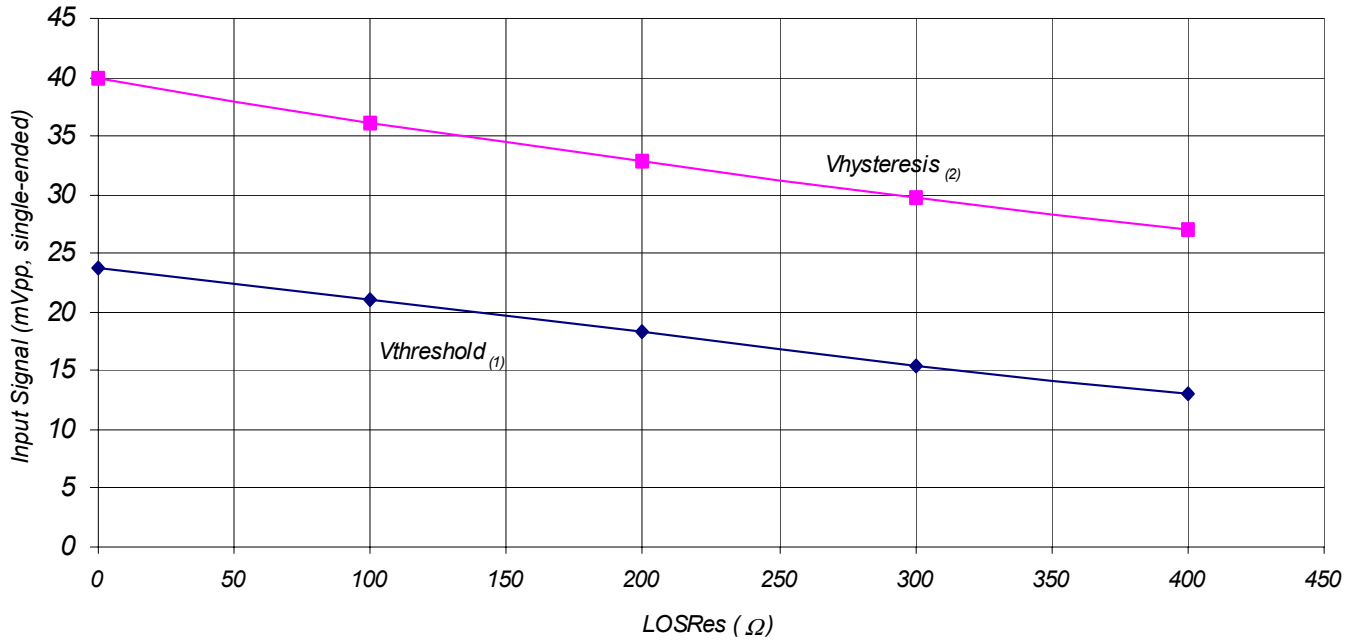
The LOS terminal is an open collector output providing an active high signal indicating a loss of signal (LOS) condition. The LOS terminal sinks 350 μ A when it is low (deasserted) and no current when it is high (asserted). It is possible to connect the LOS terminal to a supply voltage using an external resistor to establish a desired voltage logic level indicating LOS as described below.

The on-chip LOS circuit has built in hysteresis. To use the LOS function approximately 200 Ω needs to be connected between the LOSRes pin and ground.

LOS sinks 350 μ A when it is low (deasserted), and no current when it is high (asserted). It is an active high output. You can connect a resistor between 5 V or 3.3 V and the LOS pin. This can be used to establish output voltage levels as follows:

For a high level of 3.3 V and a low level of approximately 0.0 V, the swing is 3.3 V. When the output is low (not asserted) it sinks 350 μ A. The values: 3.3 V/350 μ A is 9.4 k Ω . Consequently, putting a 9.53 k Ω resistor between 3.3 V and the LOS terminal would give you a 3.3 V output when the signal is high and about 0.0 V when it is low.

Figure 3. Loss of Signal (LOS) Characteristic



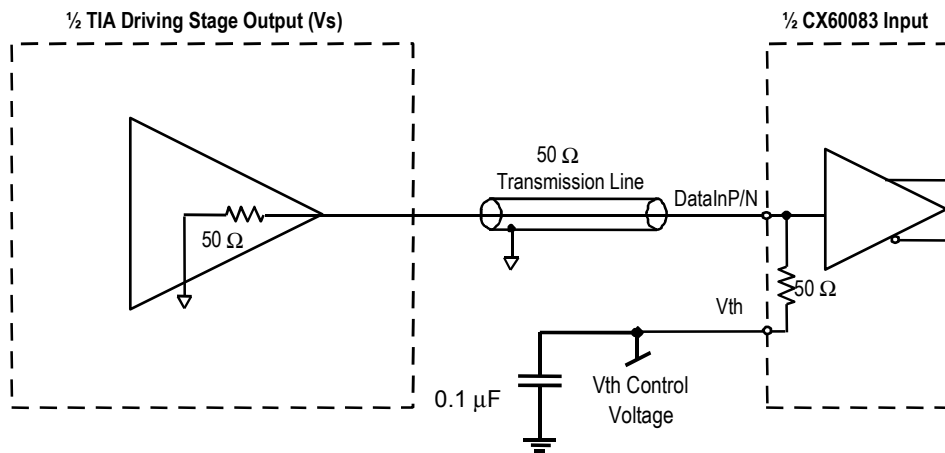
Note 1: With the LOS flag reset, V_{threshold} is defined as the input signal voltage, below which, the LOS flag becomes set.
 Note 2: If LOS flag is set V_{hysteresis} is defined as the input signal voltage above which the LOS flag becomes reset.

Input Voltage Range Determination

The input AC voltage in combination with the DC bias present at the DataIn pins should satisfy the input voltage range specifications according to the following condition: the voltage present at the input pins of the limiting amplifier (DataInP and/or DataInN) needs to fall between -1.0 V and +0.25 V. From Figure 1 it can be observed that the differential voltage present at the CX60083 data inputs is a combination of the voltage at V_{th} and the output level of the preamplifier driving the CX60083 data inputs.

Figures 4a and 4b show the relationship between the TIA output level and the V_{th} reference level to the voltage present at the CX60083 data input pins when the input is either DC- (Figure 4a) or AC- (Figure 4b) coupled. (Note the TIA source level is V_s when terminated into a 50 Ω load).

Figure 4a. CX60083 Input Value When DC-coupled

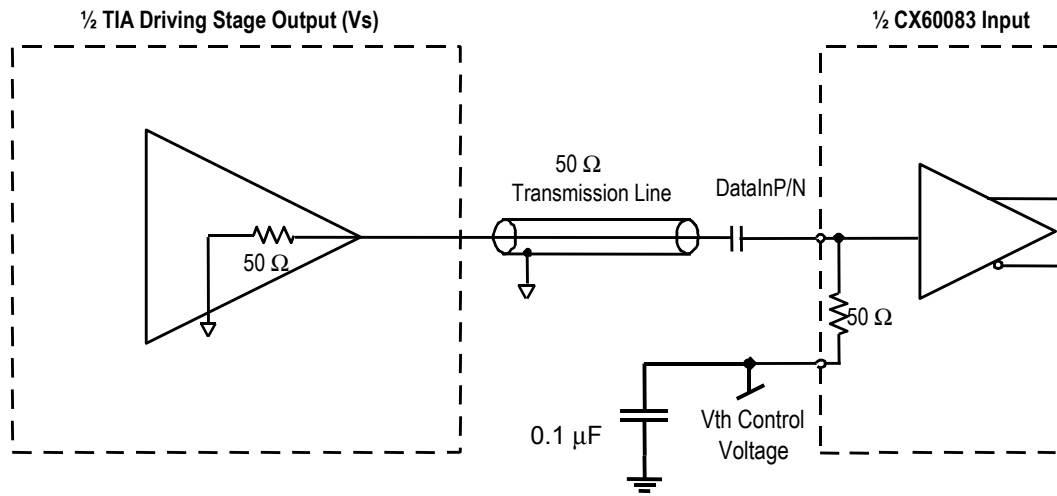


$$\text{DataInN/P} = \frac{V_{th}}{2} \pm V_s$$

$$-1.0 \text{ V} \leq \text{DataInN/P} \leq 0.25 \text{ V}$$

Observe that if V_{th} = 0 V (ground), then the DataInP/N level is simply V_s.

Figure 4b. CX60083 Input Value When AC-coupled



$$\text{DataInN/P} = V_{th} \pm V_s$$

$$-1.0 \text{ V} \leq \text{DataInN/P} \leq 0.25 \text{ V}$$

Vth Reference Value Determination

Referring to Figures 4a and 4b, for a preamplifier output signal of less than 250 mV_{PEAK}, Vth can generally be connected to ground. If the input signal is greater than 250 mV_{PEAK} (and less than 800 mV_{P-P}) then Vth will need to be connected to a negative voltage reference, the level of which, is calculated so that the sum of the AC peak signal and the DC Vth reference voltage ensures the voltage present at DataInP and DataInN input pins falls with the range -1.0 V and 0.25 V as shown in Figures 4a and 4b.

When driving the part with a single-ended input, the non-used CX60083 input terminal should be terminated in a manner similar to the input being driven: if the driven input is DC-coupled to the preamplifier, the non-used input should be DC terminated with 50 Ω. If the driven input is AC-coupled, then the non-used input should be AC-coupled to the 50 Ω termination. The termination voltage needs to be a potential equal to the common mode voltage seen at the driven input terminal (so that the driving signal swings equally above and below the non-used input).

When a DC reference is connected to Vth, it should be decoupled with a good quality high frequency capacitor ≥ 10 nF (if possible, 0.1 μF in parallel with 330 pF is suggested).

For more detailed information on interfacing to the CX60083 please refer to Application Note CX60083 AN1.

Electrical Specifications

Tables 2 through 5 list the CX60083 RF and DC electrical specifications, absolute maximum ratings and power requirements.

Table 2. RF Electrical Specifications (for die, see Note 8)

T_{case} = 0 °C to +85 °C, V_{ee} = -5.2 V ± 5%, Bit Rate = 9.95328 Gbps, input offset compensated for with DC servo loop and exposed paddle connected to ground.

Parameter	Min	Typical	Max	Unit
Operating Temperature	0	—	85	°C
Input AC Voltage, Single-ended (1, 2)	5	—	800	mV
Input High Level (VIH) Voltage Range (3)	-1.0	—	0.25	V
Input Low Level (VIL) Voltage Range (3)	-1.0	—	0.25	V
Input Offset Voltage (without offset compensation) (4)	-5	0	5	mV
Output Swing, Single-ended (when limiting)	425	450	500	mV p-p
Absolute Output Voltage Range, Single-ended (when limiting)	-0.6	—	0	V
Output Rise/Fall Time (20% - 80%), input = 20 mV p-p differential (8)	—	28	35	ps
Small Signal Gain (single-ended to single-ended) (5, 7)	32	39	—	dB
Small Signal Gain at 10 GHz (single-ended to single-ended) (5, 7)	—	—	40	dB
Small Signal Gain Variation (7)	-2	0	+2	dB
Small Signal 3 dB Bandwidth (7)	8.5	10.0	10.5	GHz
Input and Output Return Loss (single-ended) 100 kHz – 5 GHz (6, 7)	—	—	-10	dB
Input and Output Return Loss (single-ended) 5 GHz – 10 GHz (6, 7)	—	-10	-5	dB
Input and Output Return Loss (single-ended) 10 GHz (6, 7)	—	-10	—	dB
Output Jitter (RMS), input = 1600 mV p-p differential (8)	—	1.6	2.0	ps
Output Jitter (RMS), input = 10 mV p-p differential (8)	—	2.1	3.0	ps

Note 1: 1600 mV differential peak-to-peak input translates to 800 mV p-p for each signal (single-ended). See Figure 5.

Note 2: Output typically limits for inputs greater than 5 mV p-p single-ended. Smaller and larger signals meeting the VIH and VIL specifications may be input, but performance will be reduced.

Note 3: Signals exceeding 0.25V above ground but less than 0.5V above ground may be input, but performance will be reduced.

Note 4: End-of-life offset specification is ± 7 mV. For maximum sensitivity, a DC servo loop must be used (see Application Note CX60083 AN2).

Note 5: Unused input and output terminated 50 Ω to ground. Differential to differential gain is 6 dB greater.

Note 6: Return Loss measured with packaged part mounted on a characterization board with 50 Ω input and output traces and connectors.

Note 7: AC characteristics are established from characterization of packaged parts.

Note 8: While limited AC testing is done on each die, these characteristics are not guaranteed for die.

Figure 5. CX60083 Differential Input Voltage Definitions

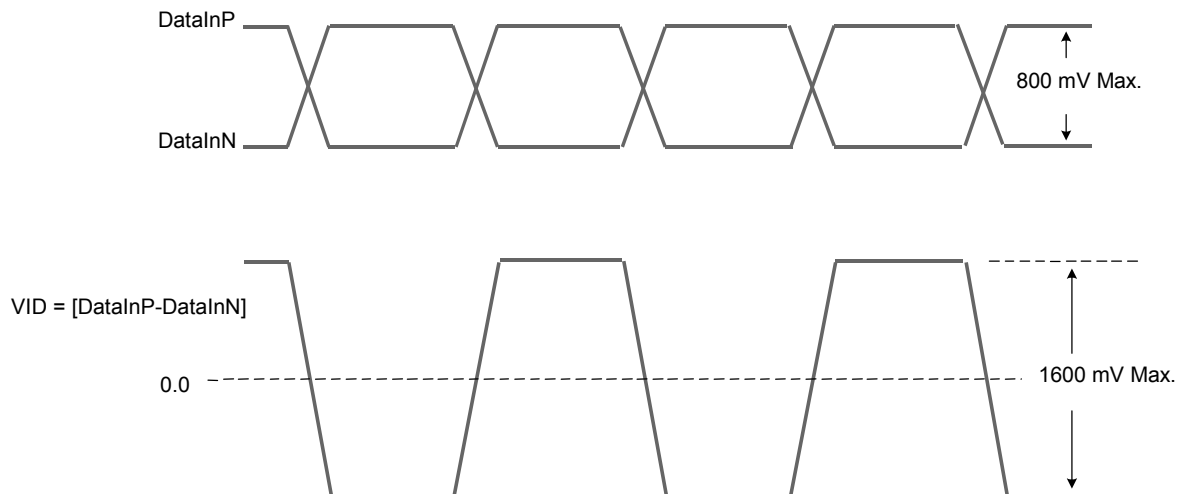


Table 3. DC Signal Electrical Specifications

Tcase = 0 °C to +85 °C, Vee = -5.2 V ± 5%, Bit rate = 9.95328 Gbps

Parameter	Min	Typical	Max	Unit
PkDetOut	-2.4	—	-1.3	V
PkDetDC	—	-2.4	—	V
LOSOut	-2.3	—	+6 ⁽¹⁾	V
LOSRes	50	—	500	Ω
LOS Assert/Deassert		250		ns

Note 1: Current sink output. Refer to the LOS subsection for description of voltage behavior.

Table 4. Absolute Maximum Ratings (no damage)

Symbol	Item	Min	Max	Units
Vee	Supply Voltage	-7.0	+0.5	V
DataInP, DataInN	High Speed Input Signal	-1.0	+0.5	V
DataOutP, DataOutN	High Speed Output Signal	-1.0	+0.5	V
OffOutP, OffOutN	Offset Sense Output	-2.0	+0.5	V
OffInP, OffInN	Offset Control Input ⁽¹⁾	-2.0	+2.0	V
Tst	Storage Temperature	-65	+150	°C

Note 1: With Vth connected to ground ± 1 V, the offset control input range is ± 5 V.

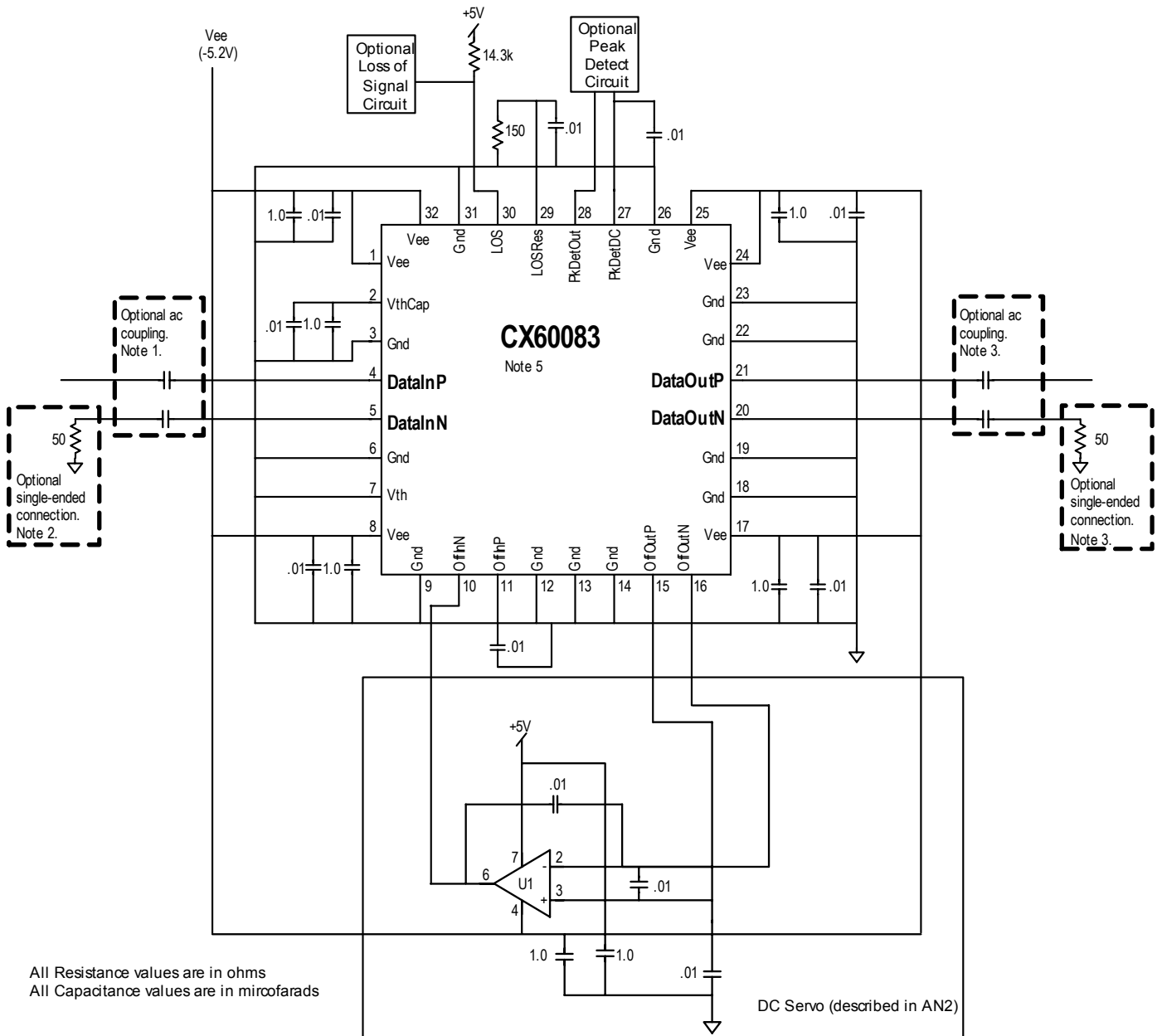
Table 5. Power DC Electrical Specifications

Tcase = 0 °C to +85 °C, Vee = -5.2 V ± 5%

Symbol	Item	Min	Typical	Max	Units
Iee	Supply Current	—	125	150	mA
Pdiss	Total Power Dissipation	—	650	825	mW

CX60083 Applications Diagram

Figure 6. CX60083 Applications Diagram



All Resistance values are in ohms
All Capacitance values are in microfarads

- Notes:
1. The input(s) may be ac-coupled to the pre-amplifier using a good high frequency capacitor.
 2. If driven single-ended by the pre-amplifier, the unused input must be terminated in 50 ohms.
If a single-ended ac-coupled connection to the preamplifier, the unused input must be ac-coupled to a 50 ohm termination.
 3. The output(s) may be ac-coupled to the CDR/receiver using a good high frequency capacitor.
 4. If an output is connected single-ended to the receiver, the unused output must be terminated in 50 ohms.
If a single output is ac-coupled to the receiver, the unused output must be ac-coupled to a 50 ohm termination.
 5. Package bottom must be attached to PCB ground using conductive epoxy or solder.

CX60083 Package Pin Description

Figure 7 illustrates the pin number versus function configuration. Table 6 lists the pin assignments and function names. Figure 8 illustrates the package pin dimensions.

Figure 7. CX60083 Pin Configuration (TQFP Package)

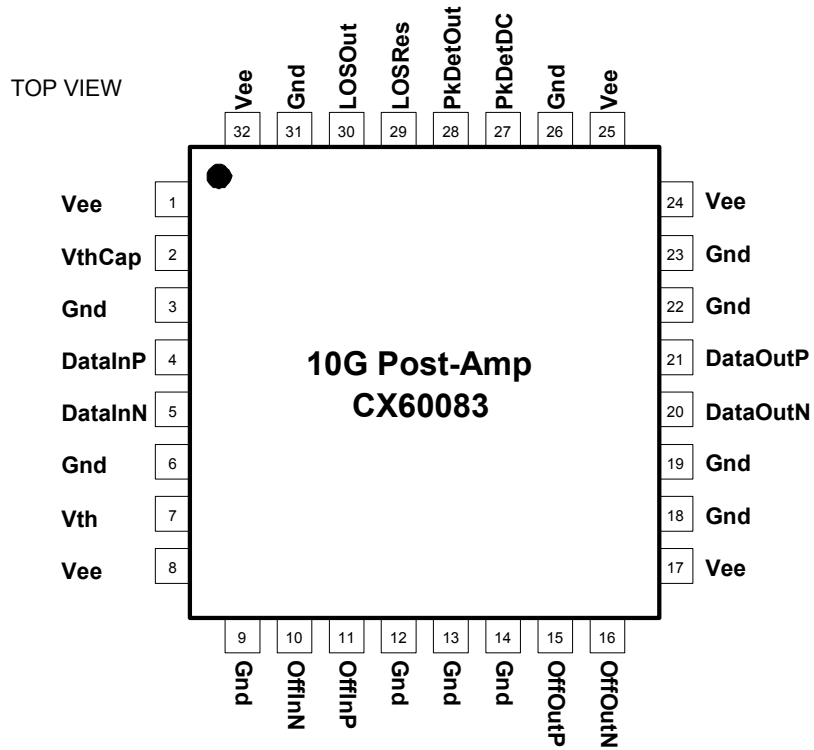
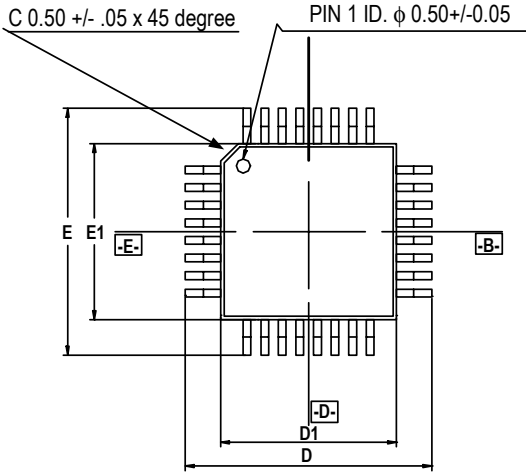


Table 6. Package Pin Assignments

Package Pin	Signal
2	VthCap
4	DataInP
5	DataInN
7	Vth
10	OffInN
11	OffInP
15	OffOutP
16	OffOutN
20	DataOutN
21	DataOutP
27	PkDetDC
28	PkDetOut
29	LOSRes
30	LOS
1, 8, 17, 24, 25, 32	Vee
3, 6, 9, 12, 13, 14, 18, 19, 22, 23, 26, 31	Gnd
EP	Gnd

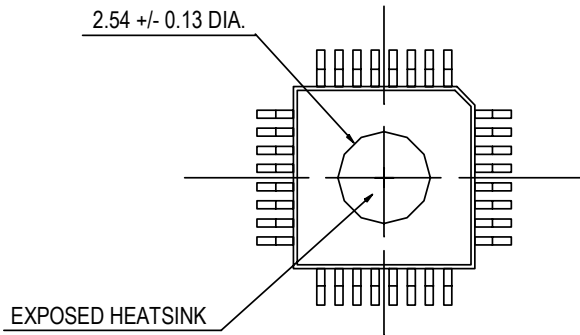
Figure 8. CX60083 Package Dimensions

Note: All dimensions are in millimeters.

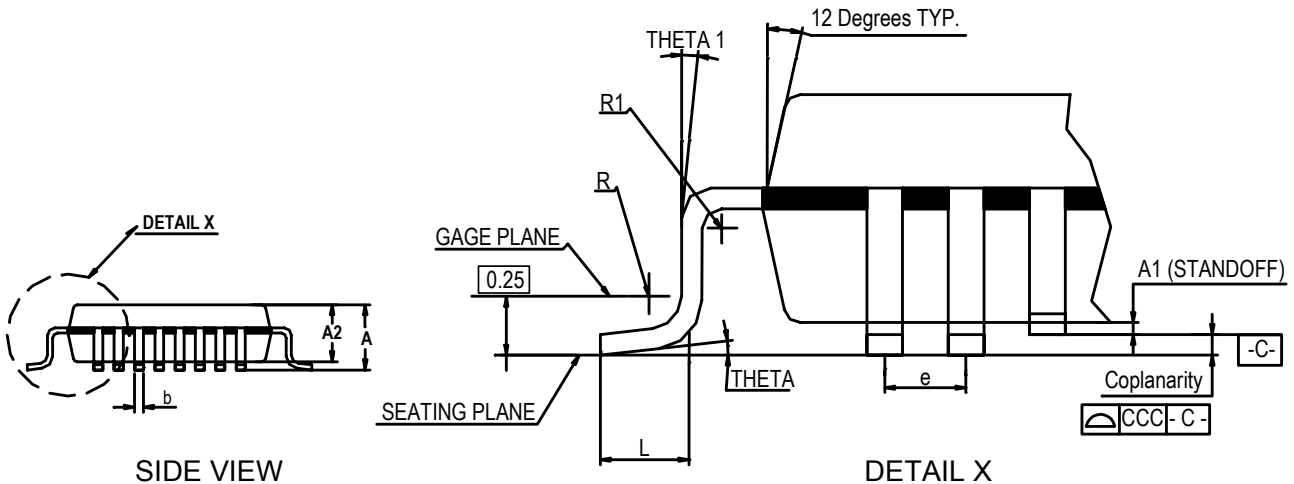


TOP VIEW

PACKAGE DIMENSIONS		
LETTER	DIMENSION	TOLERANCE
A	1.60	MAX.
A1	.10	±.05
A2	1.40	±.05
D	7.00	±.20
D1	5.00	±.10
E	7.00	±.20
E1	5.00	±.10
L	.6	+0.15/-0.10
e	.5	TYP.
b	.22	±.05
THETA	0° - 7°	
THETA 1	6°	± 4°
R	.08 MIN./0.20 MAX.	
R1	.08 MIN.	
ccc	.08	MAX.



BOTTOM VIEW



SIDE VIEW

DETAIL X

CX60083 Die Information and Pad Configuration Description

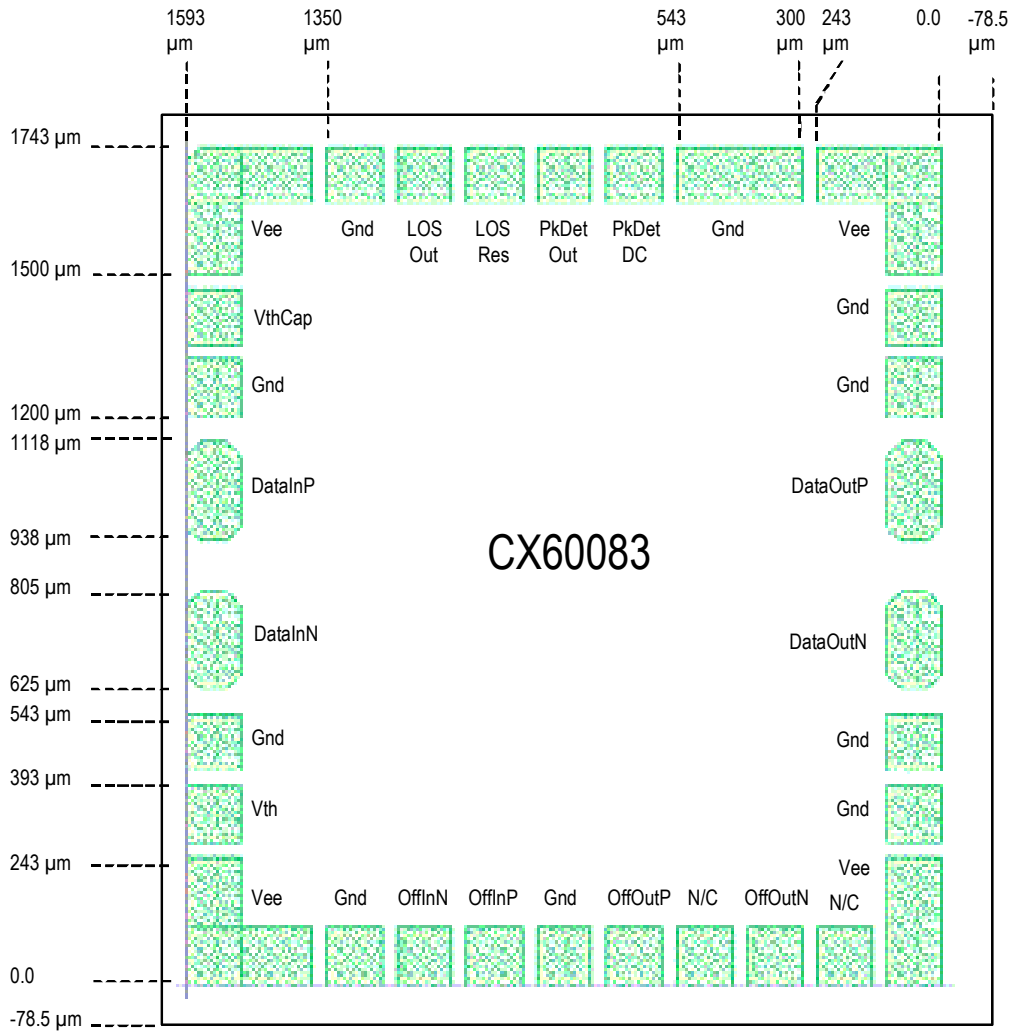
Table 7. Die Information

Item	Value	Item	Value
Product Availability	Die in Waffle Pack	Backside Bias	Most positive potential (0V) using conductive epoxy
Process Technology	GaAs	Bond Pad Metalization	Au
Die Thickness	178 ± 13 μm	Pad pitch	150 μm ⁽¹⁾
Die Size	1900 μm by 1750 μm	Pad size	120 μm X 120 μm
Die Passivation	Silicon nitride	Opening	93 μm X 93 μm ⁽²⁾
Die Backside Material	GaAs		

Note 1: Others as indicated below.

Note 2: Other pad size indicated below.

Figure 9. CX60083 Die Pad Configuration Drawing



Note: Pad sizes show exposed metal area only.

Ordering Information

Name	Number	Package Data
10 Gbps Packaged Limiting Amplifier	CX60083-15	32-terminal EdQuad TQFP
10 Gbps Limiting Amplifier Die	CX60083-2A	Die in waffle pack

Revision History

Revision	Date	Comments
CLA10_rev1_2	10/13/99	CLA10 revisions
CX8610LA_rev1	1/20/00	Original CX8610LA issue
CX60083	2/1/00	Original CX60083 issue; added functional description text
CX60083v2a	2/18/00	Added illustrations and supporting text to functional description
CX60083v2b	2/10/00	Reorganized sequence of functional description and specification tables; added System Block Diagram
CX60083v2c	5/8/00	Transferred descriptive text from Note 2 in Table 3, RF Electrical Specifications to paragraph following table
CX60083v2d	5/12/00	Internal document
CX60083v2e	6/19/00	Changed header and footer text; performed QA check and edits; edited Figure 1, System Block Diagram
CX60083v2f	8/8/00	Modified Table 1
CX60083v2g	9/15/00	Added Figure 3
CX60083v3	11/28/00	Technical edits
CX60083v4	02/26/01	Technical edits
CX60083v4a	03/12/01	Made CX60083-15P from CX60083v4; added review comments; made changes to Figure 2, Table 2, and Table 3 (return losses and bandwidth specifications)
CX60083v4b	05/4/01	Updated Table 2; became figure 2; updated figure and table references; added LOS assert/de-assert time information; added offset specification note; added in die information; removed P designation; general edits
CX60083v5	01/23/02	Clarified jitter specification conditions. Update supply and output p-p numbers. Clarified input sensitivity statements. Updated LOS current sink value. Made more explicit the proper connection of the package bottom. Add applications diagram. Add die information and specifications
CX60083v5b	02/20/02	Added notes 3 and 7, modified note 2, moved other notes down. Added Table 7
CX60083v6	04/12/02	Corrected pin numbers on Applications Diagram (Fig. 6). Added -2A designator to header. Updated sales office information.

© 2002, Mindspeed Technologies, Inc.

All Rights Reserved.

Information in this document is provided in connection with Mindspeed™ Technologies, Inc., as a wholly owned subsidiary and the Internet infrastructure business of Conexant Systems, Inc., "Mindspeed" products. These materials are provided as a service to its customers and may be used for informational purposes only. Mindspeed assumes no responsibility for errors or omissions in these materials. Mindspeed may make changes to specifications and product descriptions at any time, without notice. Mindspeed makes no commitment to update the information and shall have no responsibility whatsoever for conflicts or incompatibilities arising from future changes to its specifications and product descriptions.

No license, expressed or implied, by estoppel, or otherwise, to any intellectual property rights is granted by this document. Except as provided in Mindspeed Terms and Conditions of Sale for such products, Mindspeed assumes no liability whatsoever.

THESE MATERIALS ARE PROVIDED "AS IS" WITHOUT WARRANTY OF ANY KIND, EITHER EXPRESSED OR IMPLIED, RELATING TO SALE AND/OR USE OF MINDSPEED PRODUCTS INCLUDING LIABILITY OR WARRANTIES RELATING TO FITNESS FOR A PARTICULAR PURPOSE, CONSEQUENTIAL OR INCIDENTAL DAMAGES, MERCHANTABILITY, OR INFRINGEMENT OF ANY PATENT, COPYRIGHT, OR OTHER INTELLECTUAL PROPERTY RIGHT. MINDSPEED FURTHER DOES NOT WARRANT THE ACCURACY OR COMPLETENESS OF THE INFORMATION, TEXT, GRAPHICS OR OTHER ITEMS CONTAINED WITHIN THESE MATERIALS. MINDSPEED SHALL NOT BE LIABLE FOR ANY SPECIAL, INDIRECT, INCIDENTAL, OR CONSEQUENTIAL DAMAGES, INCLUDING WITHOUT LIMITATION, LOST REVENUES OR LOST PROFITS, WHICH MAY RESULT FROM THE USE OF THESE MATERIALS.

Mindspeed products are not intended for use in medical, life saving, or life sustaining applications. Mindspeed customers using or selling Mindspeed products for use in such applications do so at their own risk and agree to fully indemnify Mindspeed for any damages resulting from such improper use or sale.

The following are trademarks of Mindspeed Technologies, Inc.: Mindspeed™, the symbol M1, and "Build It First™". Product names or services listed in this publication are for identification purposes only, and may be trademarks of third parties. Third-party brands and names are the property of their respective owners.

For additional disclaimer information, please consult Mindspeed's Legal Information posted at <http://www.mindspeed.com/>, which is incorporated by reference.

Reader Response: Mindspeed strives to produce quality documentation and welcomes your feedback. Please send comments and suggestions to tech.pubs@mindspeed.com. For technical questions, contact your local Mindspeed sales office or field applications engineer.

Further Information:

literature@mindspeed.com

(877) 908-5683 (United States)

(909) 975-5683 (International)

Headquarters

Mindspeed Technologies

4000 MacArthur Boulevard, East Tower

Newport Beach, CA 92660

Phone: (949) 579-3000

Fax: (949) 579-3020

Americas

US Northwest / Northwest Canada

Santa Clara

Phone: (408) 423-4500

Fax: (408) 249-7113

US North Central

Illinois

Phone: (630) 799-9300

Fax: (630) 799-9325

US South Central

Texas

Phone: (972) 735-1540

Fax: (972) 407-0639

Eastern Canada

Ontario

Phone: (613) 271-2358

Fax: (613) 271-2359

US Northeast

Massachusetts

Phone: (978) 244-7680

Fax: (978) 244-6868

US Southeast

North Carolina

Phone: (919) 858-9110

Fax: (919) 858-8669

US Florida / South America

Florida

Phone: (727) 799-8406

Fax: (727) 799-8306

US Mid-Atlantic

Pennsylvania

Phone: (215) 245-2470

Fax: (215) 245-2480

Europe

Europe Central - Germany

**Austria, Germany, Hungary,
Poland, Romania, Russia and
Switzerland**

Phone: (49) 89 82005 151

Fax: (49) 89 82005 150

Europe Mediterranean - Israel

**Greece, Israel, Italy, Portugal and
Spain**

Phone: (972) 9961-5100

Fax: (972) 9957 5166

Europe North - UK

**Belgium, Denmark, Finland,
France, Ireland, Luxembourg,
Norway, Sweden, The Netherlands
and United Kingdom**

Phone: 44 (0) 118 920 9500

Fax: 44 (0) 118 920 9595

Asia – Pacific

P. R. China - Central and North

Australia and New Zealand

Phone: (86-21) 6350-5702

Fax: (86-21)-6361-2516

P. R. China - South / Hong Kong

Phone: 86-755-2300-420

Fax: 86-755-2300-421

Asia South - Taiwan

**India, Indonesia, Malaysia,
Pakistan, Philippines, Singapore,
Taiwan, Thailand and Vietnam**

Phone: (886-2) 8789-8366

Fax: (886-2) 8789-8367

Korea

Phone: 82-2-528-4301

Fax: 82-2-528-4305

Japan

Phone: (81-3) 5308 1731

Fax: (81-3) 5350-5431



<http://www.mindspeed.com/>