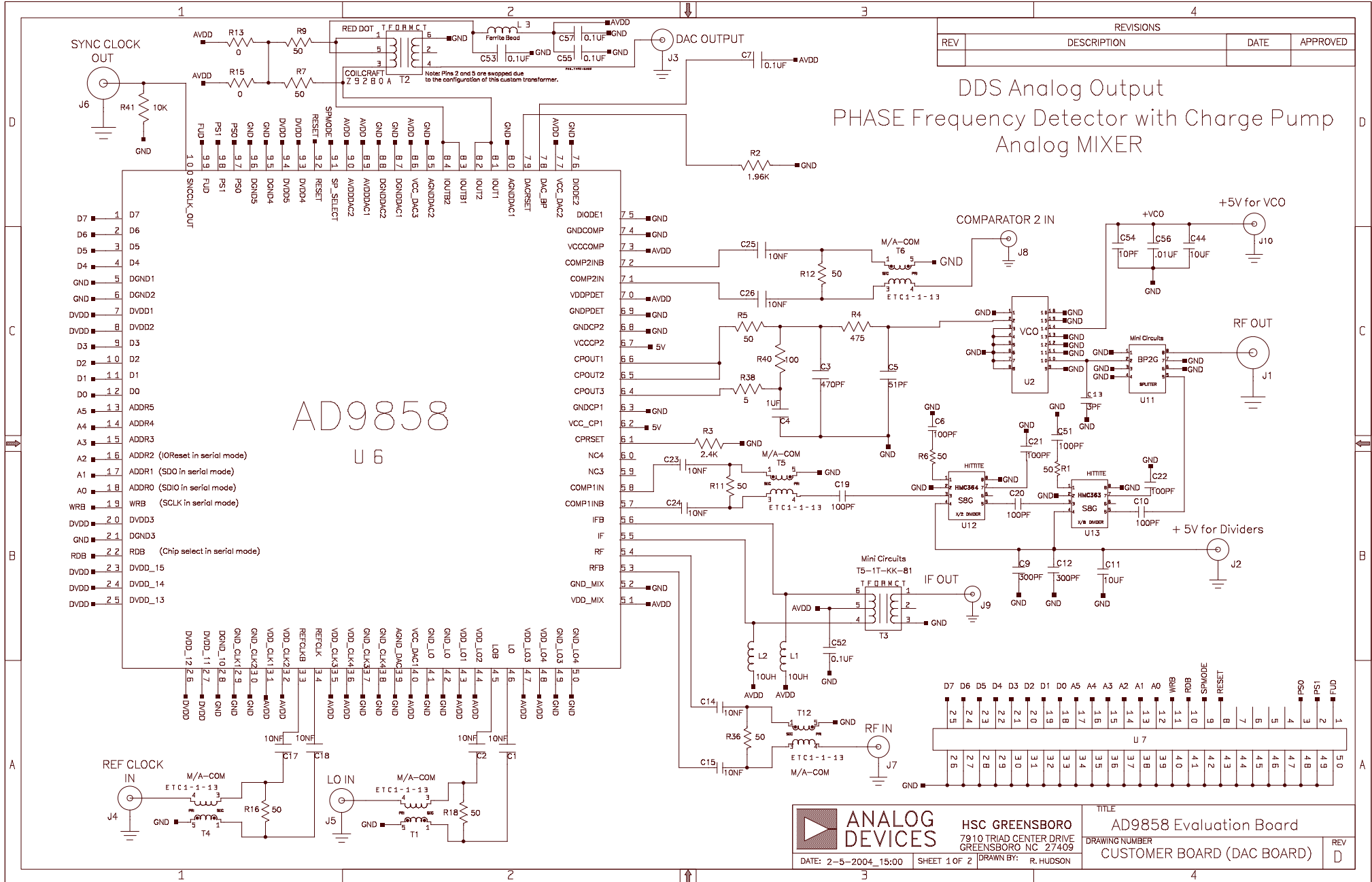
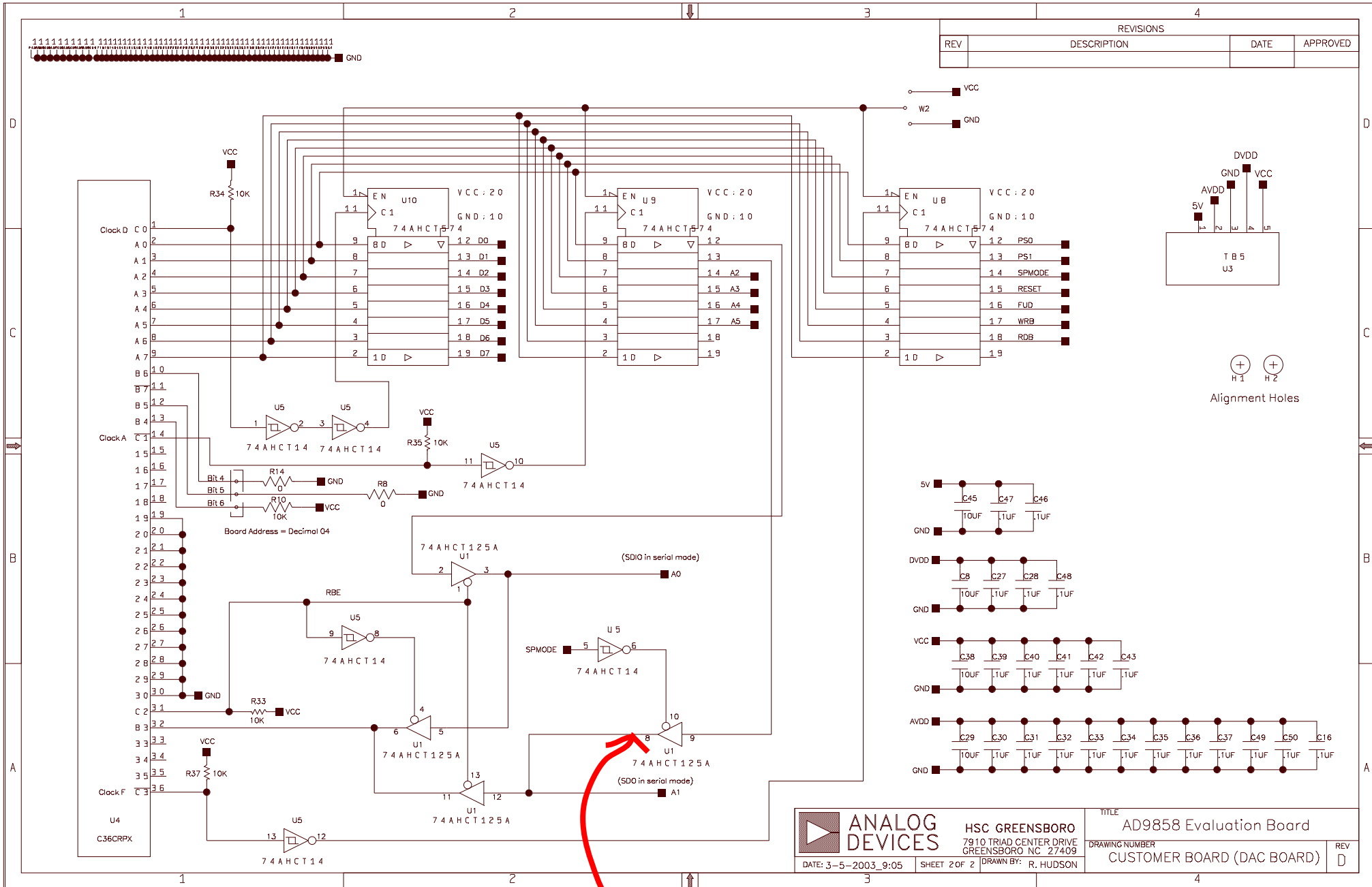


Read the comments on page 2 about the net contention on the A1 line when used in parallel mode through the 40-pin header.





BUG! Lift U1.8 and insert 1K in series. This allows use of the U4 pin header as a parallel input, such as the Rabbit RCM3200 module.