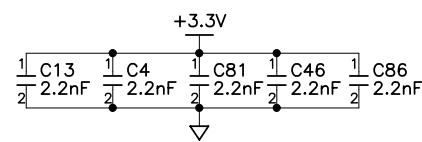
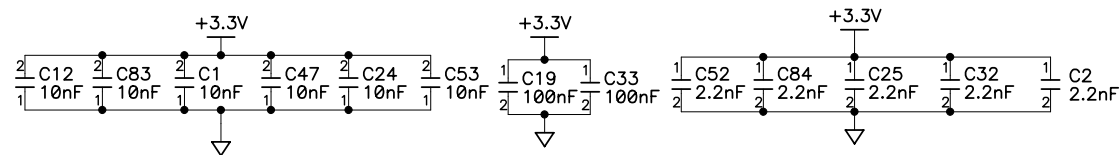
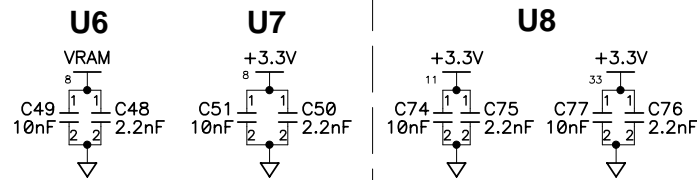


POWER TABLE

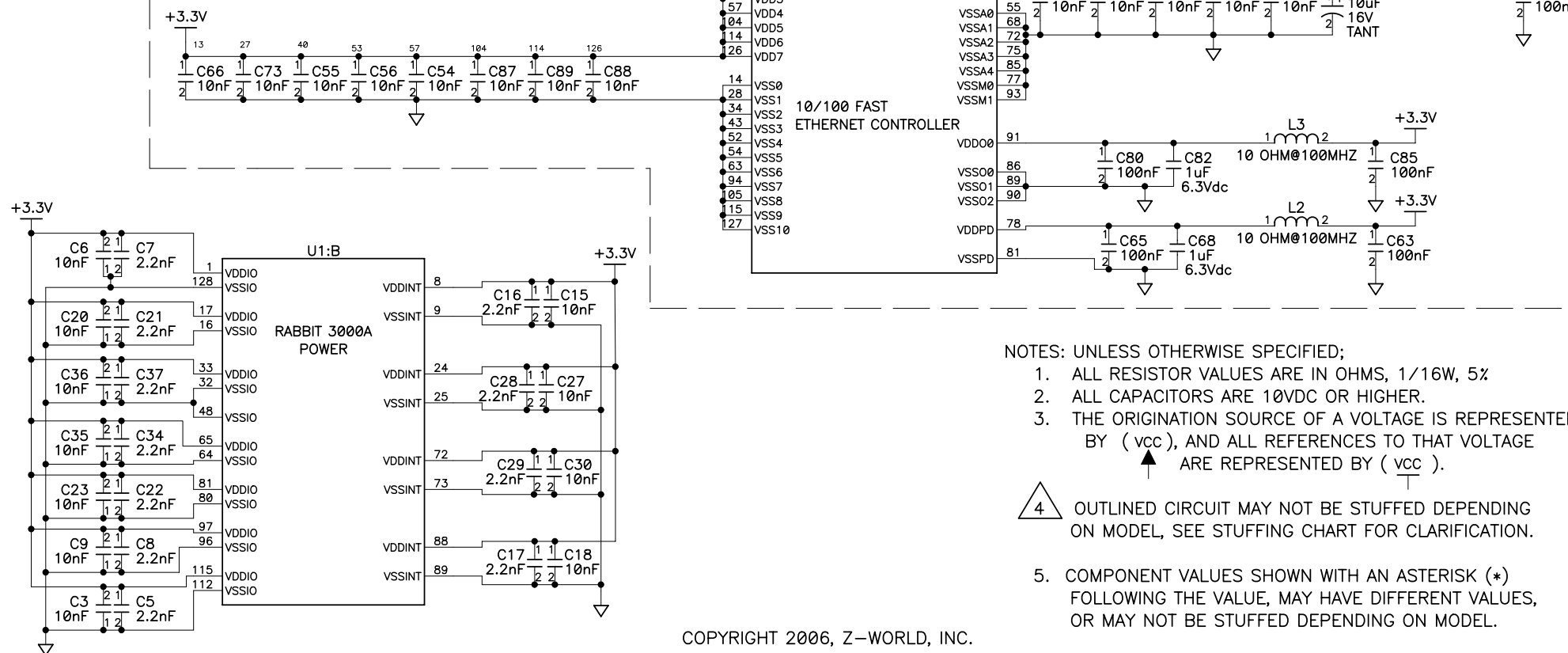
Ref Des	Device	GND	+3.3V	VRAM
U2	74LCX245	10	20	
U3	74ALVC32	7	14	
U6	SRAM 1	24		8
U7	FLASH	24	8	
U8	SRAM 2	34,12	33, 11	



STUFFING TABLE

CIRCUIT	PART	RCM3200	RCM3210	RCM3220
SRAM 1	U6	256K	128K	256K
SRAM select	JP5	1-2	1-2	1-2
SRAM 2	U8	512K	NOT INSTALLED	512K
SRAM 2 CS	JP2	2-3	NOT INSTALLED	2-3
FLASH	U7	512K	256K	512K
FLASH select	JP3	2-3	1-2	2-3
BANK SELECT	JP4	1-2	1-2	1-2
EXT DATA BUS	JP1	2-3	2-3	1-2
POWER TO VRAM	R41	NOT INSTALLED	NOT INSTALLED	NOT INSTALLED
OSCILLATOR CIRCUIT	Y1	NOT INSTALLED	14.74 MHz	NOT INSTALLED
	Y2	22.1184 MHz	NOT INSTALLED	22.1184 MHz
	C10, C11, R15	INSTALLED	INSTALLED	INSTALLED
PORT D OPTION	R29, R37, R39, R40	INSTALLED	INSTALLED	INSTALLED
LED OPTION	R67, R70	INSTALLED	INSTALLED	NOT INSTALLED
FUTURE OPTION	R45, R46, R53, R57, R74	NOT INSTALLED	NOT INSTALLED	NOT INSTALLED
INTERRUPT OPTION	R61	NOT INSTALLED	NOT INSTALLED	NOT INSTALLED
RTC	U11	INSTALLED	INSTALLED	INSTALLED
	R28, R80	NOT INSTALLED	NOT INSTALLED	NOT INSTALLED
CS OPTION	R58	NOT INSTALLED	NOT INSTALLED	NOT INSTALLED
Decoupling Caps	C74, C75, C76, C77	INSTALLED	NOT INSTALLED	INSTALLED
ETHERNET OPTION	See sheets 1 and 3	INSTALLED	INSTALLED	NOT INSTALLED

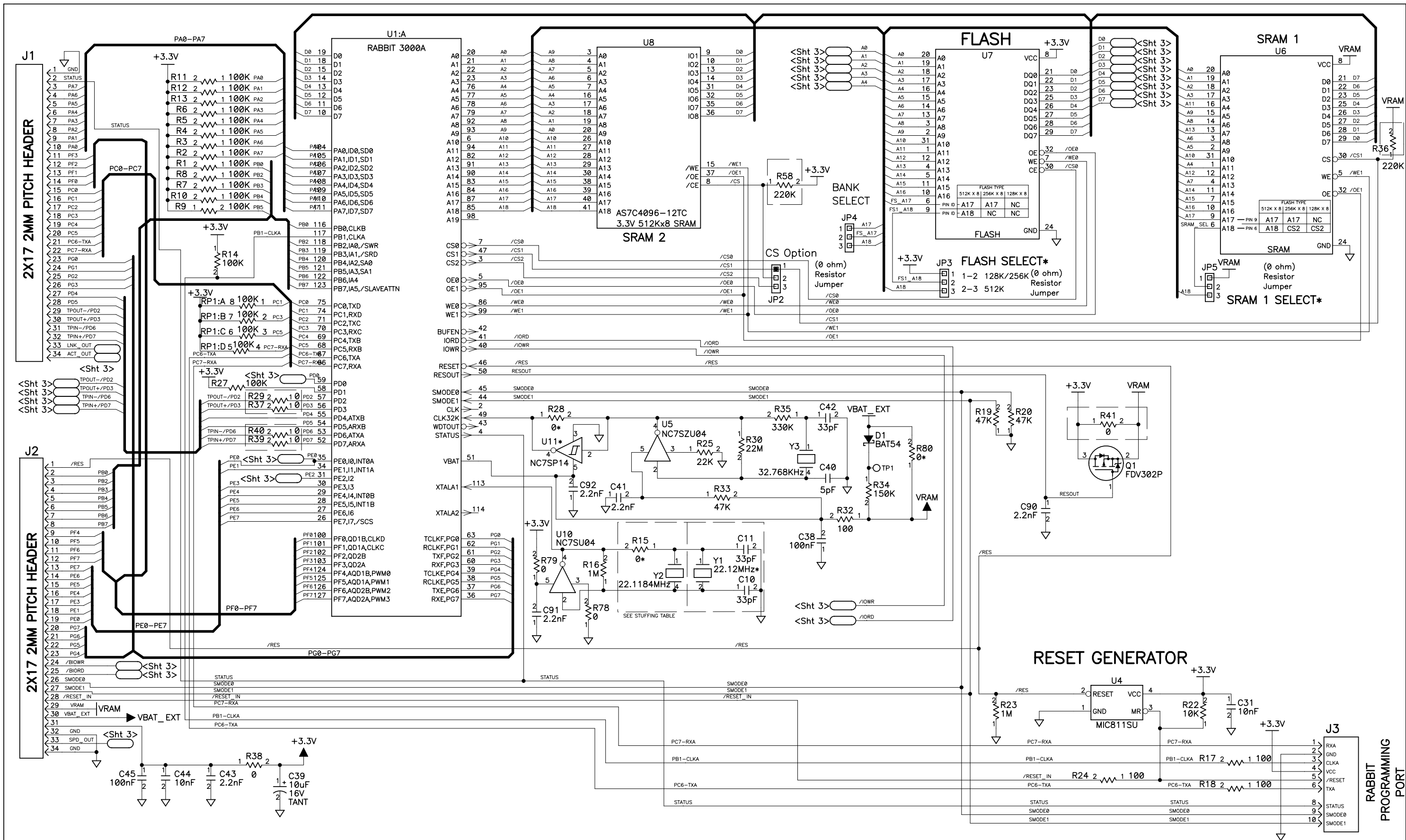
ETHERNET OPTION



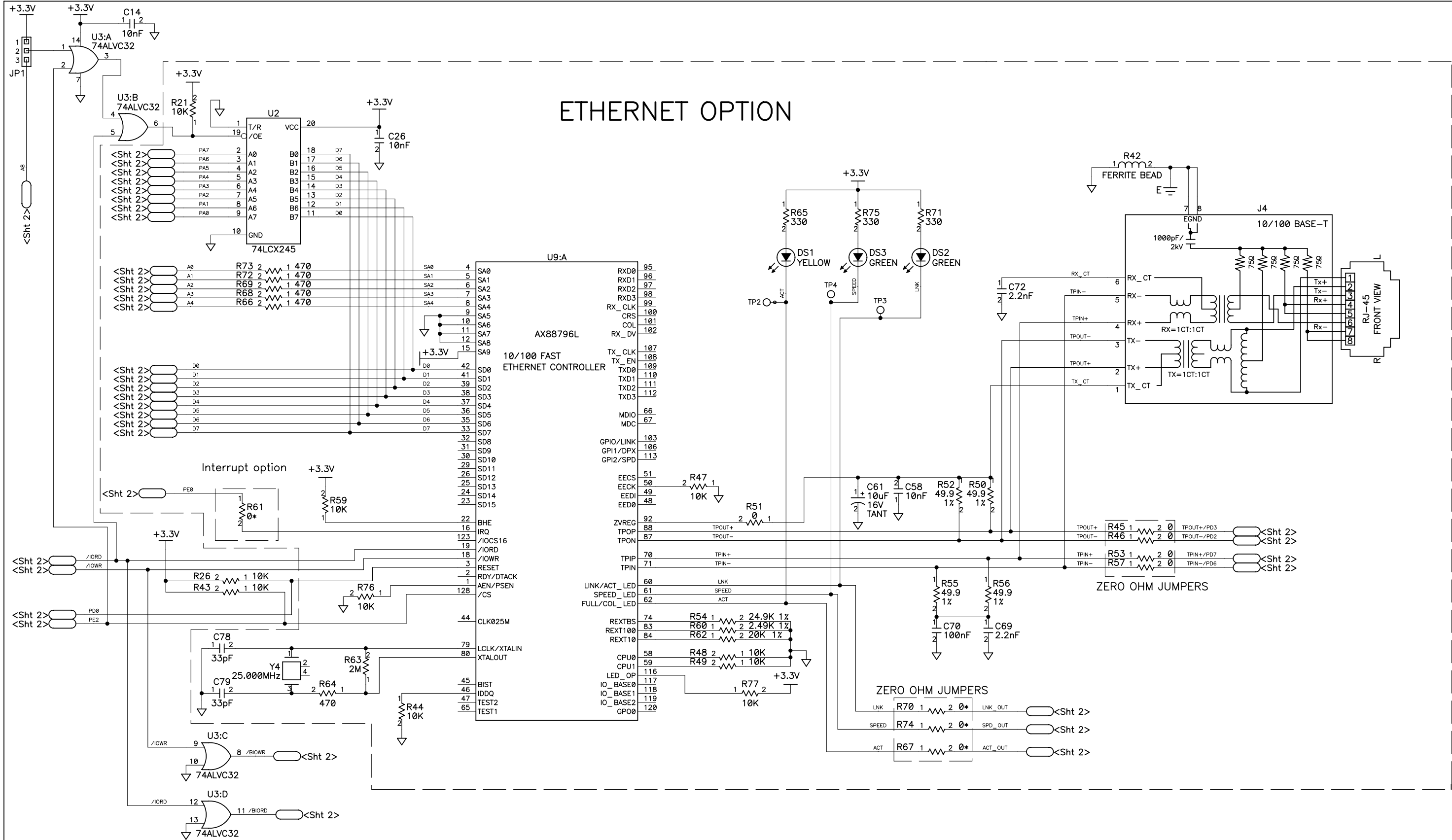
- NOTES: UNLESS OTHERWISE SPECIFIED;
- ALL RESISTOR VALUES ARE IN OHMS, 1/16W, 5%
 - ALL CAPACITORS ARE 10VDC OR HIGHER.
 - THE ORIGIN SOURCE OF A VOLTAGE IS REPRESENTED BY (vcc), AND ALL REFERENCES TO THAT VOLTAGE ARE REPRESENTED BY (vcc).
 - OUTLINED CIRCUIT MAY NOT BE STUFFED DEPENDING ON MODEL, SEE STUFFING CHART FOR CLARIFICATION.
 - COMPONENT VALUES SHOWN WITH AN ASTERISK (*) FOLLOWING THE VALUE, MAY HAVE DIFFERENT VALUES, OR MAY NOT BE STUFFED DEPENDING ON MODEL.

COPYRIGHT 2006, Z-WORLD, INC.

APPEND THE FOLLOWING DOCUMENTS WHEN CHANGING THIS DOCUMENT:	DRAWING CONTENT:	TITLE
	DRAWN BY: (INITIAL RELEASE) DARREN MUSGROVE 7/22/02	SCHEMATIC DIAGRAM RCM3200 SERIES CORE MODULE
	REVISED BY: T.PHAN 3/17/2006	
	APPROVALS: INITIAL RELEASE	Z-WORLD 2900 SPAFFORD ST. DAVIS, CA 95616 530-757-4616
	PROJECT ENGINEER: DARREN MUSGROVE 7/26/02	
	ENGINEERING MANAGER: R. MATTHEWS 7/26/02	SIZE B DWG NO. 090-0152
	SIGNATURES DATE	SCALE NONE RELEASE DATE 26JUL02 SHEET 1 OF 3



ETHERNET OPTION



COPYRIGHT 2006, Z-WORLD, INC. 3/17/2006

SIZE B	DWG NO. 090-0152
SCALE NONE	REV LTR K
SHEET 3 OF 3	