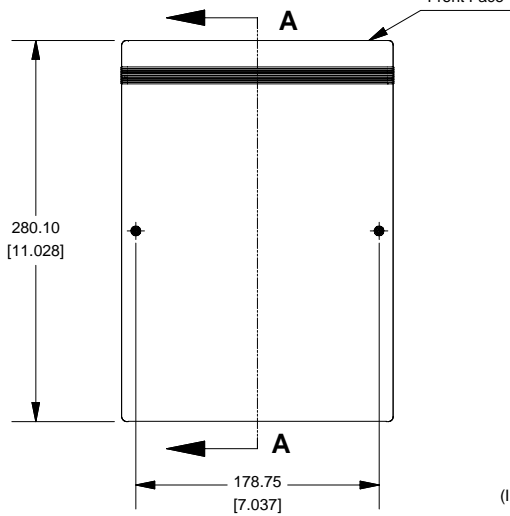
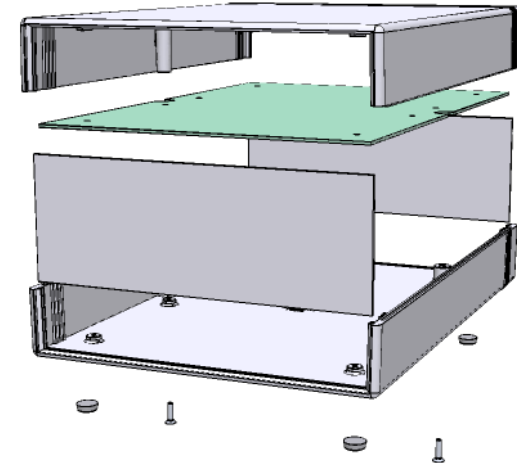
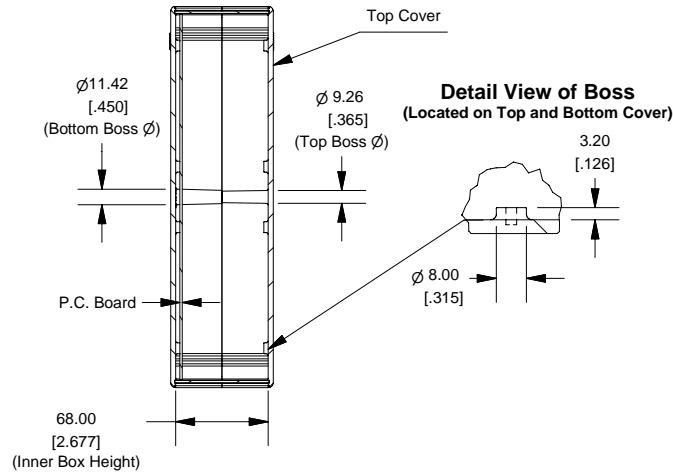


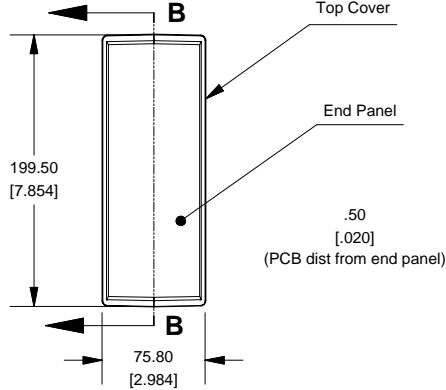
### Bottom View of Assembly



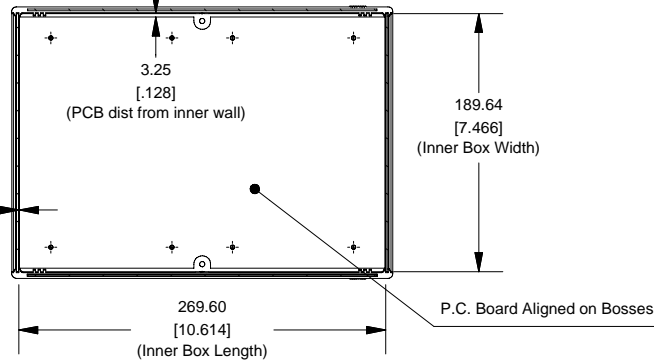
### SECTION A-A (Side View Inside Assembly)



### End View of Assembly



### SECTION B-B (Inside of Bottom Cover)



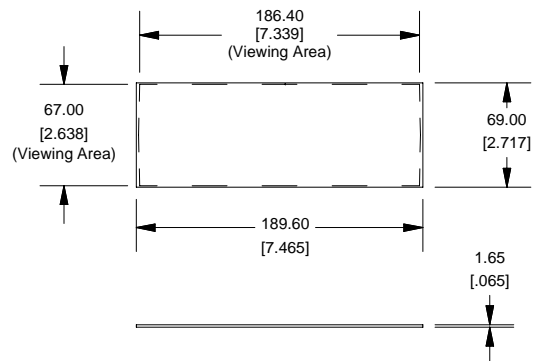
Enclosures can be Factory Modified ( Milling, Drilling, Printing etc. )  
 Solid models of this enclosure available in STEP or IGES.  
 Contact Factory [mjm@hammondmfg.com](mailto:mjm@hammondmfg.com)

#### NOTE

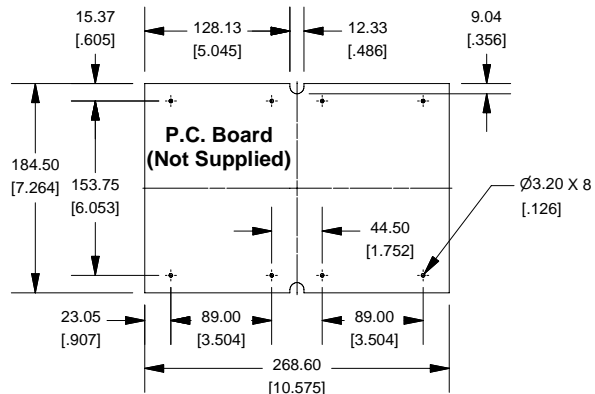
Purchased Assembly includes top and bottom cover, front and end aluminum panels (alloy 5052-H32, SPV coating on one side), 2 cover screws, and 4 rubber feet.

| 1598J Instrument Case                       |             |
|---|-------------|
| FLAME RETARDANT ABS (UL94-VO)               |             |
| Black Enclosure with Aluminum Panels        | 1598JBK     |
| Grey Enclosure with Black Plastic Panels    | 1598JGY     |
| Black EMI/RFI Shielded                      | 1598RJBK    |
| NON-FLAME RETARDANT GPABS (UL94-HB)         |             |
| Grey Enclosure with Aluminum Panels         | 1598JSGY    |
| Grey Enclosure with Black Plastic Panels    | 1598JSGYPBK |
| ACCESSORIES                                 |             |
| Black Plastic Panels                        | 1598PLJBK   |
| Rubber Feet (Pkg 24)                        | 1421T2      |
| For 1598 FR-ABS                             |             |
| Cover Screws (Pkg 100) [M3 - 0.5 x 10mm]    | 1591MS100   |
| For 1598 GPABS                              |             |
| Cover Screws (Pkg 100) [#4 x 5/8" (15.9mm)] | 1591TS100   |
| For Both Models                             |             |
| PCB Screws (Pkg 100) [#6 x 1/4" (6.4mm)]    | 1598ATS100  |

### Front/Rear Panel (Dashed Line Indicates Viewing Area)



### Maximum P.C. Board Size



**HAMMOND MANUFACTURING™**

**1598J**

[www.hammondmfg.com](http://www.hammondmfg.com)