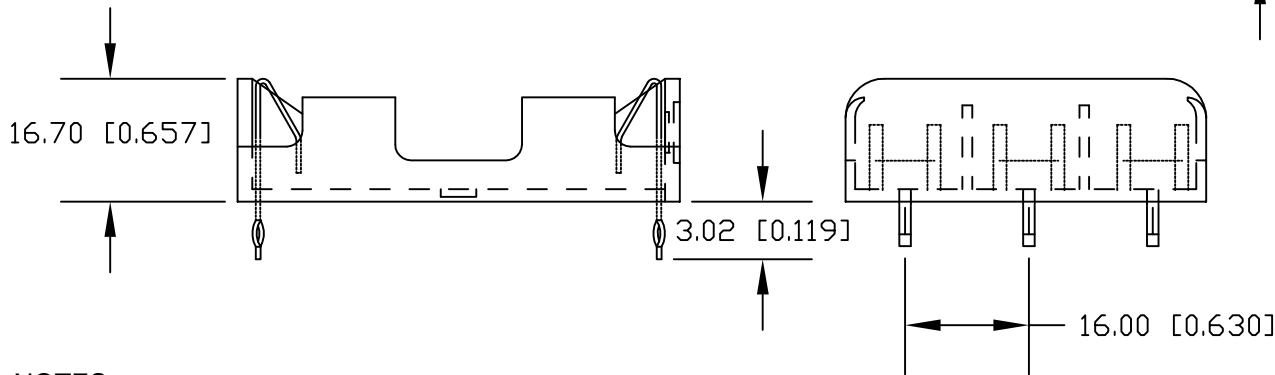
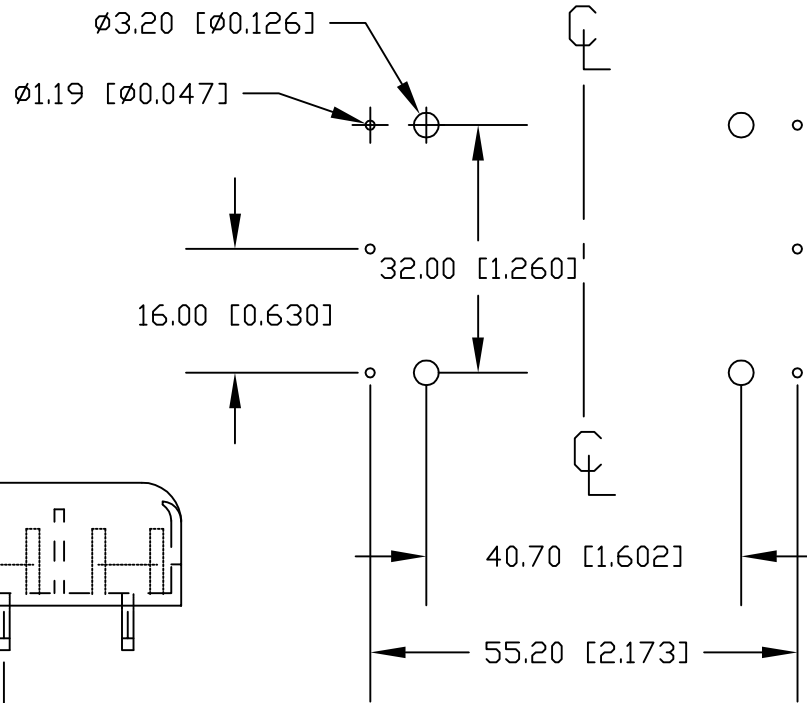
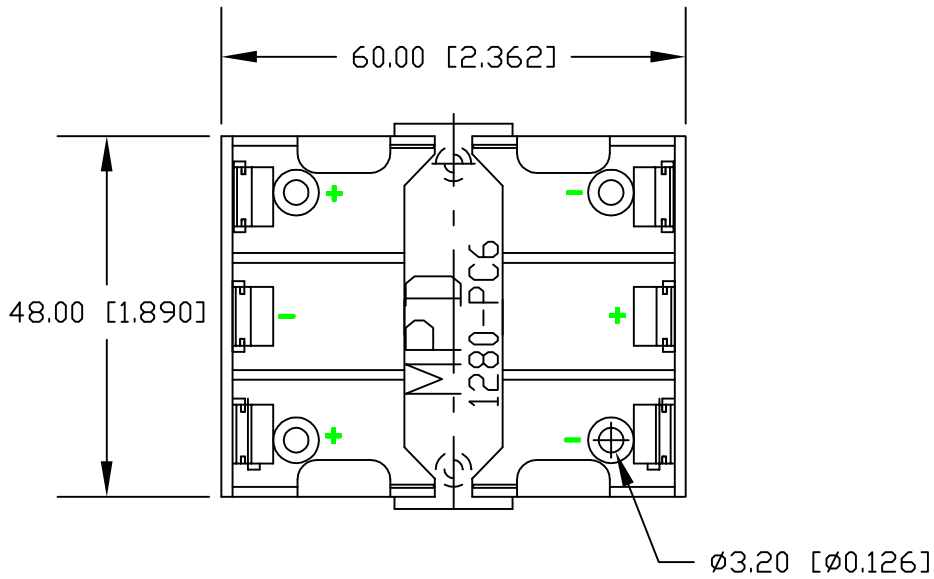



Date	SYM	REVISION RECORD	AUTH	DR.	CK.
5/26/07	A	ADDED TEST RESULTS	T.B.	B.S.	



PCB LAYOUT

NOTES:

Material: Polypropylene, UL94V-0, UL file No. E255317
 Contacts: 302 Stainless Steel Spring Temper, Nickel Plated
 Cover: Polypropylene, UL94V-0
 Heat Deflection Temperature: 90°C
 Vibration Test: 10-50-10 Hz swept in 60 seconds
 X,Y,Z direction: 1 hour each direction
 Result: No dislodgement of the cell or damage
 No discontinuity over 10 micro-seconds
 Shock Test: Half sine wave acceleration 150G. 6 micro-seconds
 3 shock pulses each direction per axis, total of 18 pulses
 Result: No evidence of physical damage.
 ROHS COMPLIANT

Tolerance (Inches)	 Memory Protection Devices, Inc 200 Broad Hollow Road, Farmingdale, New York 11735		
Decimal	±.5 (.020)	Scale	Drawn By B.S.
Fractional	±.8 (.030)	Approved By T.B.	
Angular	± 3°	Date	Drawing Number
		5/26/07	BK-1280-PC6
Title		3 "AA" BATTERY HOLDER FOR MEMORY BACKUP	