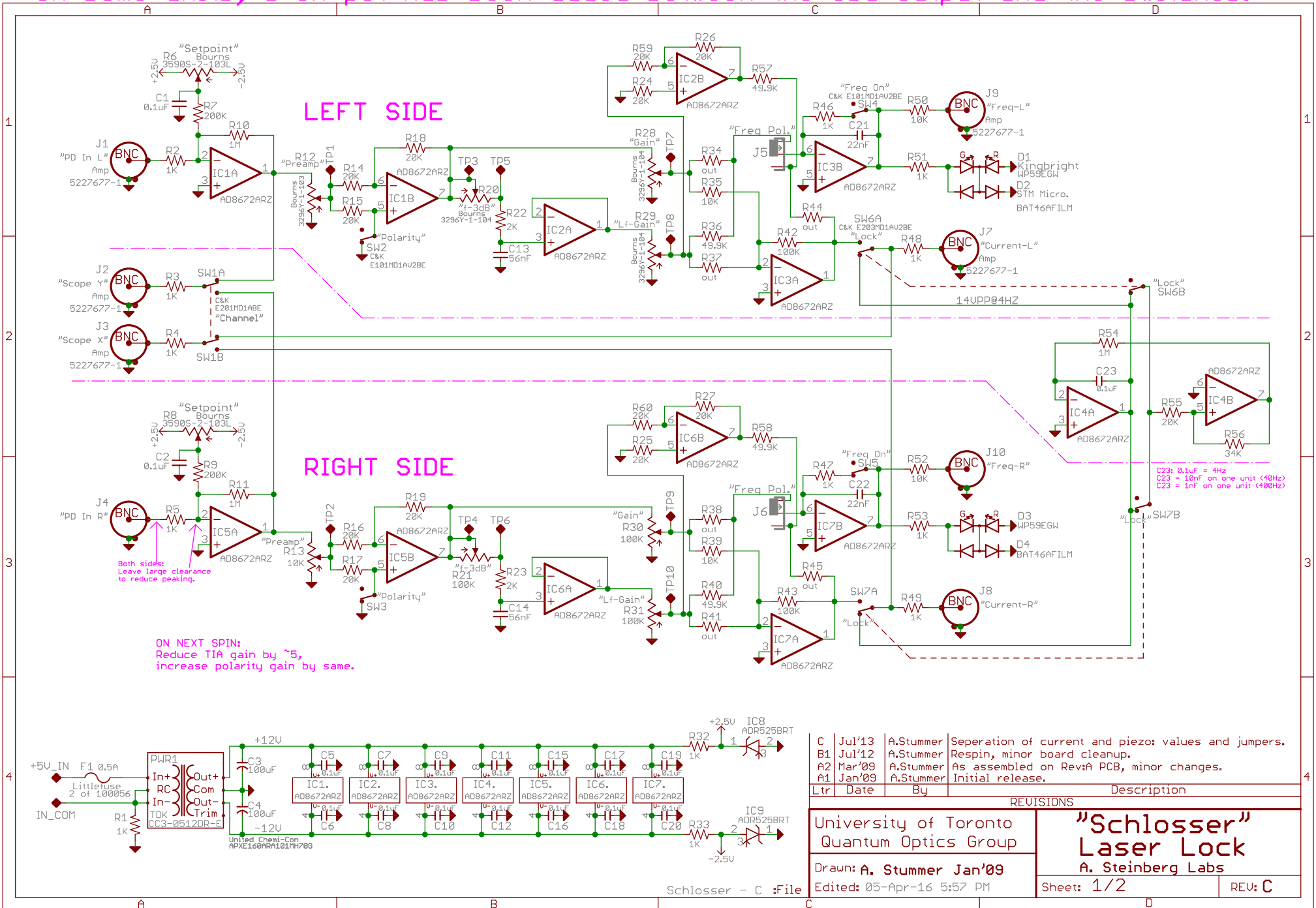


On some units, a 3K pot has been added between the osc output and the switches.



C	Jul'13	A.Stummer	Separation of current and piezo: values and jumpers.
B1	Jul'12	A.Stummer	Respin, minor board cleanup.
A2	Mar'09	A.Stummer	As assembled on Rev:A PCB, minor changes.
A1	Jan'09	A.Stummer	Initial release.

Ltr	Date	By	REVISIONS	Description
UNIVERSITY OF TORONTO QUANTUM OPTICS GROUP				
University of Toronto Quantum Optics Group			"Schlosser" Laser Lock	
Drawn: A. Stummer Jan'09			A. Steinberg Labs	
Edited: 05-Apr-16 5:57 PM			Sheet: 1/2	
			REV: C	

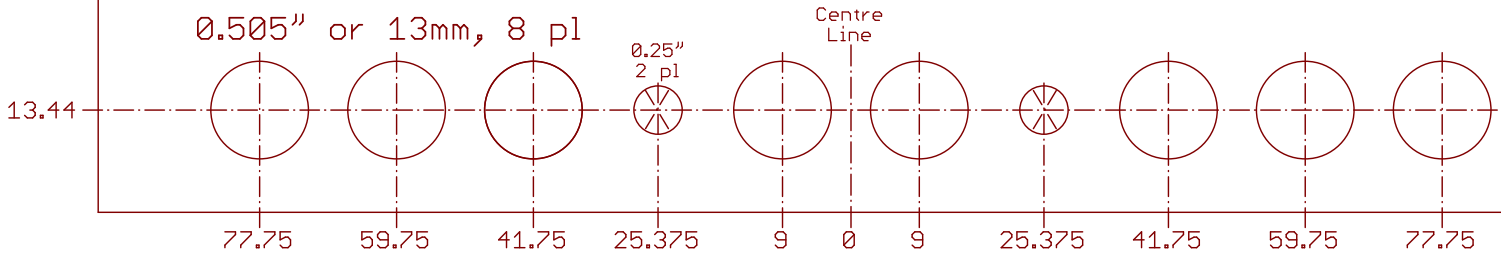
A

B

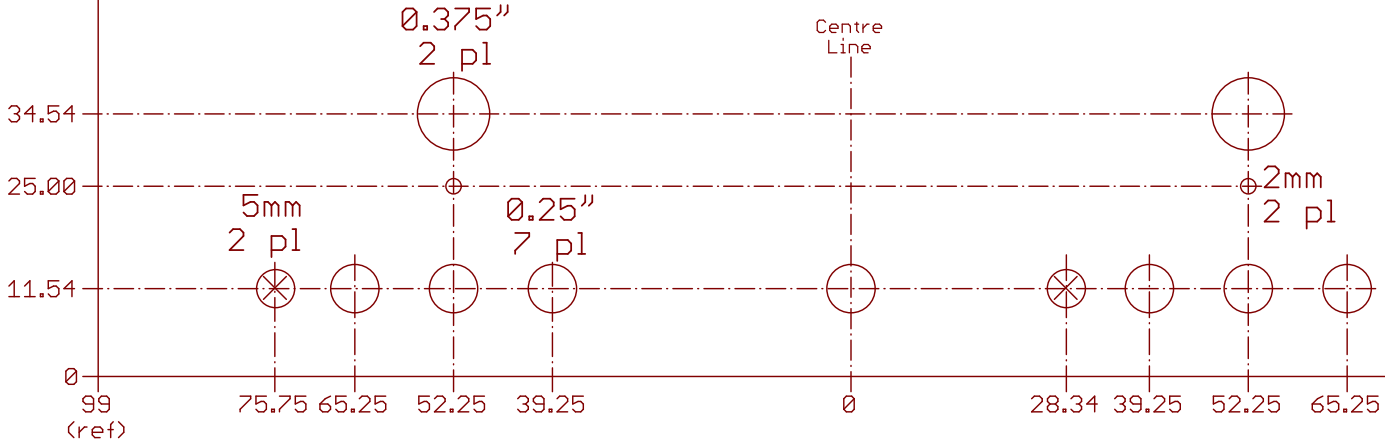
C

D

Back (symetric)



Front, inside view



University of Toronto Quantum Optics Group
"Schlosser" Laser Lock
Edited: 05-Apr-16 5:57 PM
Sheet: 2/2

A

B

C

D