

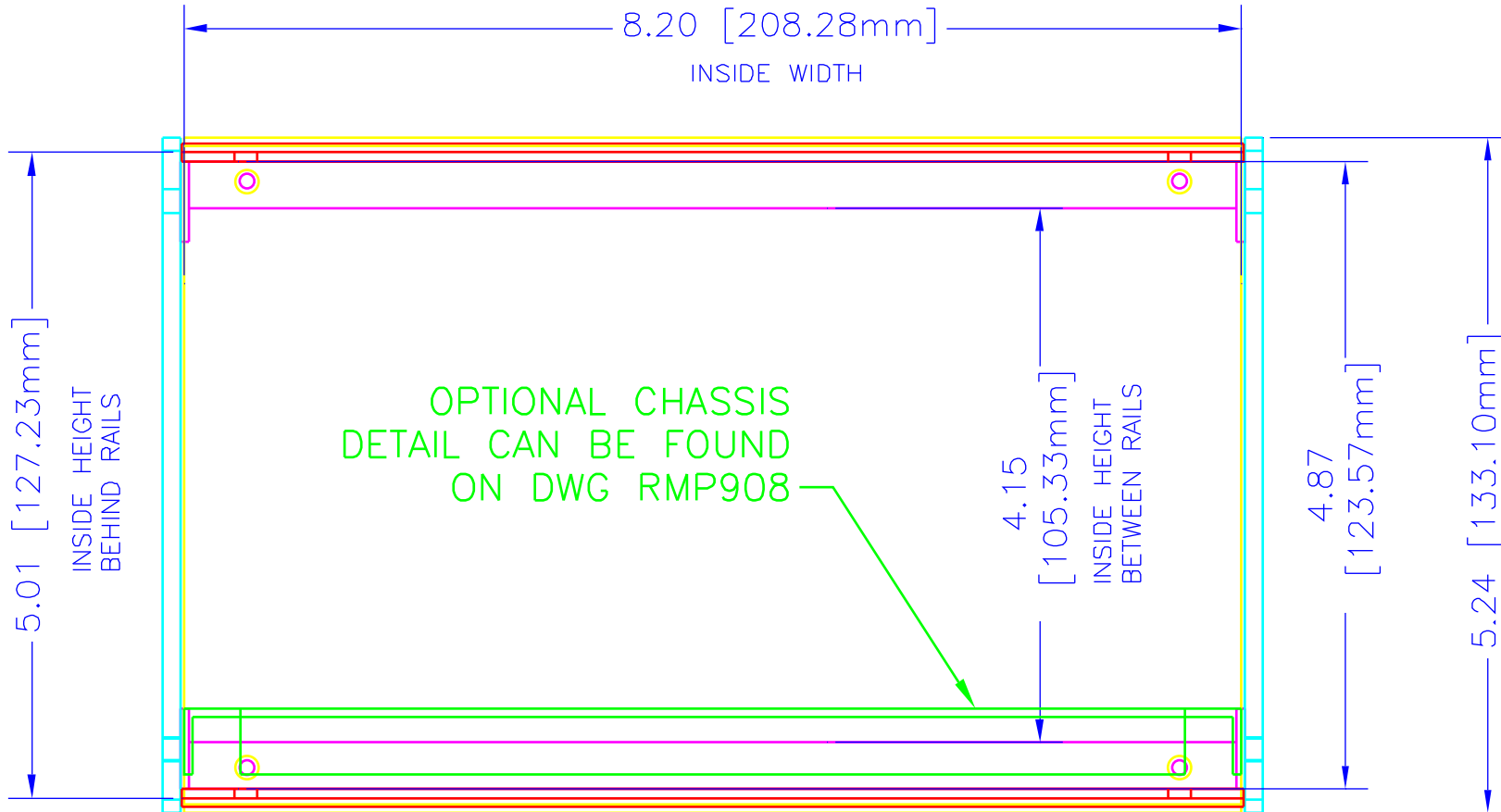
REV	DESCRIPTION	DATE

NOTES

MATERIAL TOP & BOTTOM 0.062" STEEL, SIDES, FRONT, REAR & HORIZONTAL SUPPORTS 0.125" ALUMINUM, DIMENSIONS ARE TAKEN WITH THE PAINTED SURFACE

FINISH TOP, BOTTOM & SIDE PANELS, TEXTURED BLACK, FRONT/REAR PANELS ON SMOOTH BLACK, ONE CONTEMPRA GRAY (RAL 7032), ALL POWDER PAINT,

FRONT VIEW



UNLESS OTHERWISE SPECIFIED
DIMENSIONS ARE IN INCHES

X +/- .1
XX +/- .02
XXX +/- .015
C/US +/- .005
ANGLES +/- .5 DEG



**HAMMOND
MANUFACTURING**

WEB: WWW.HAMMONDMFG.COM

TITLE HAMMOND RMCV SERIES
RACK ENCLOSURE

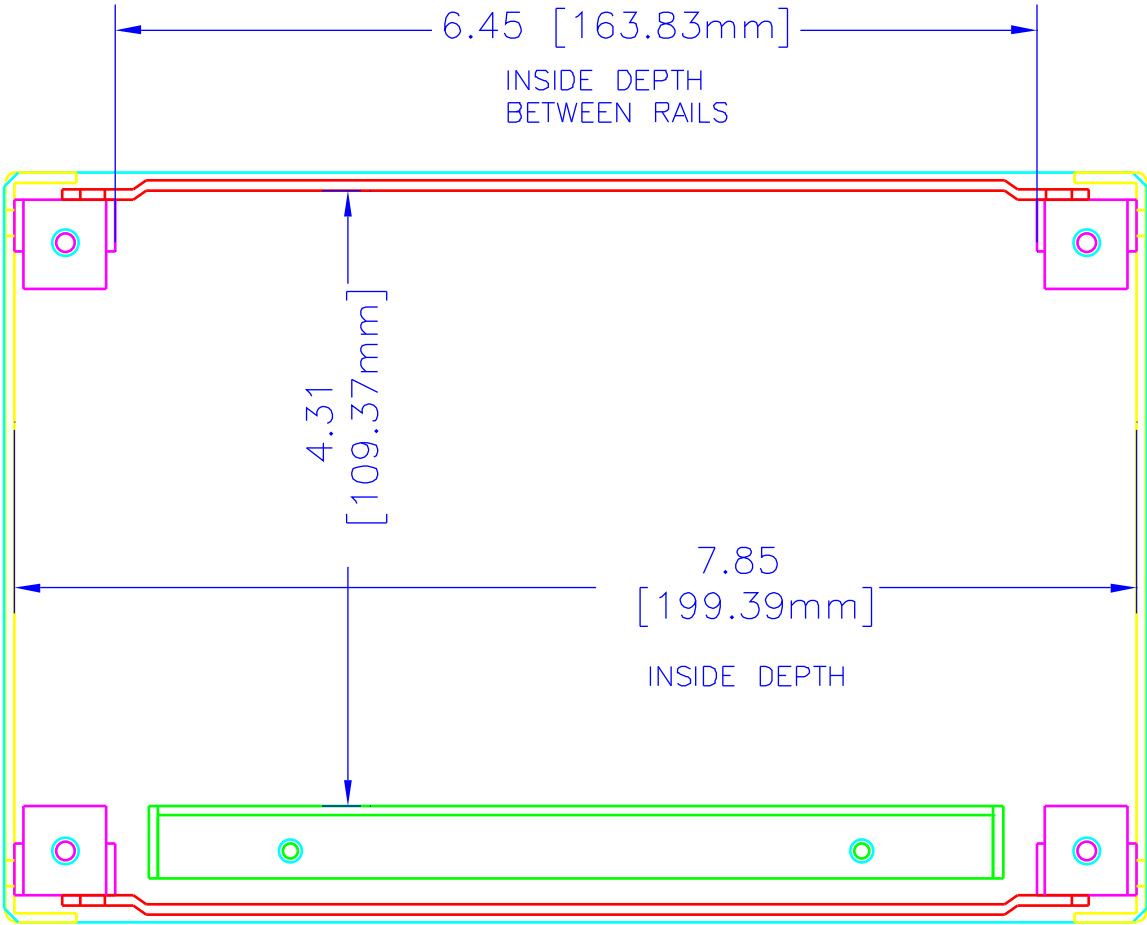
DRAWN BY MJM DATE 09/17/01

SCALE PAGE 1 OF 3

PART NUMBER

RMCV9058

SIDE VIEW



UNLESS OTHERWISE SPECIFIED
DIMENSIONS ARE IN INCHES

X +/- .1
XX +/- .02
XXX +/- .015
C/US +/- .005
ANGLES +/- .5 DEG

NOTICE
HAMMOND CLAIMS PROPRIETARY RIGHTS TO
THE MATERIAL ON THIS DRAWING. IT IS
INTENDED TO BE USED AS A REFERENCE FOR
ENGINEERING INFORMATION ONLY. THIS
INFORMATION MAY NOT BE USED TO
MANUFACTURE PRODUCTS WITHOUT WRITTEN
PERMISSION FROM HAMMOND MANUFACTURING.

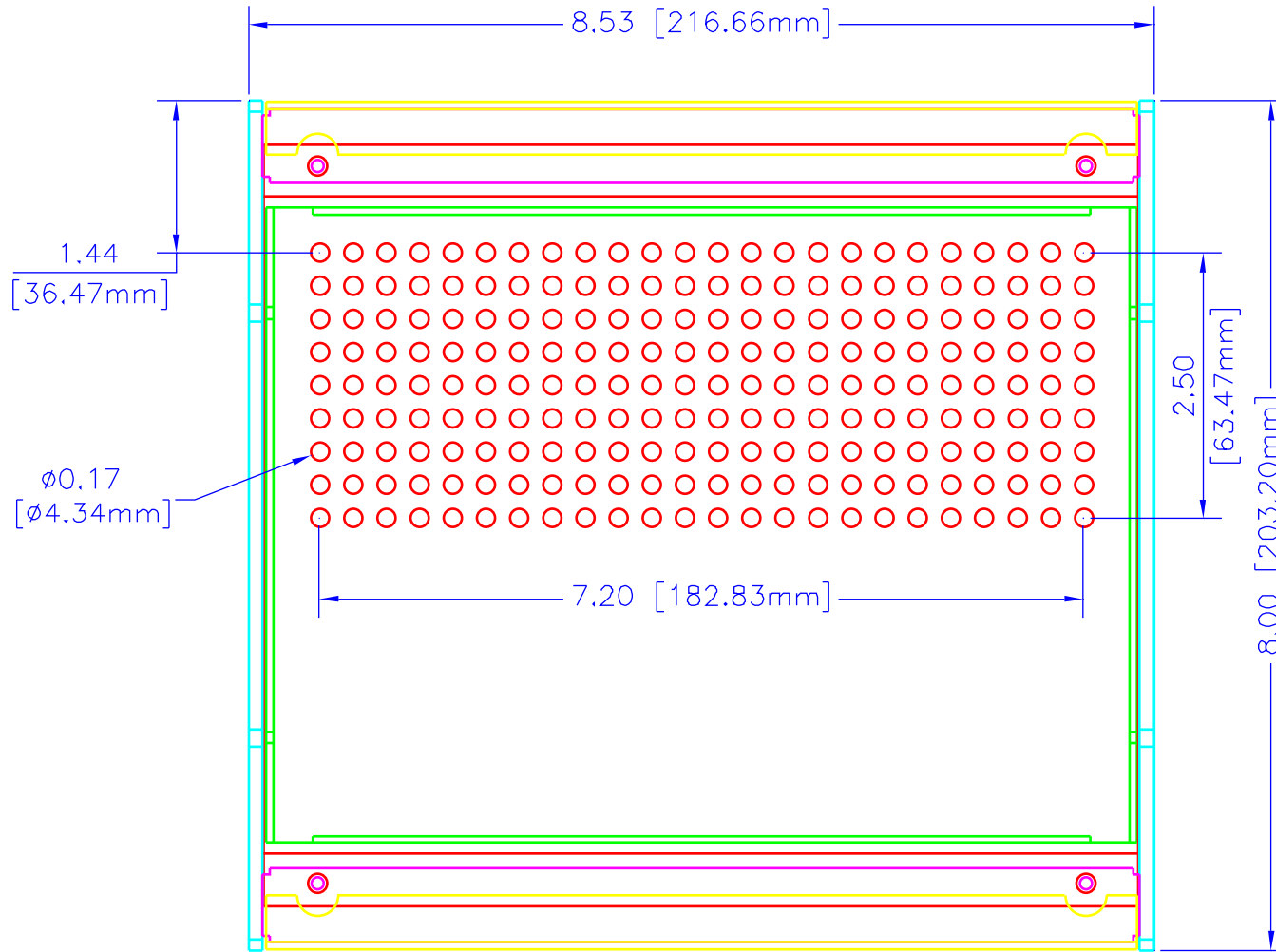


**HAMMOND
MANUFACTURING**

WEB: WWW.HAMMONDMFG.COM

TITLE		HAMMOND RMCV SERIES RACK ENCLOSURE	
DRAWN BY	MJM	DATE	09/17/01
SCALE		PAGE	2 OF 3
PART NUMBER		RMCV9058	

TOP VIEW



UNLESS OTHERWISE SPECIFIED
DIMENSIONS ARE IN INCHES

X +/- .1
XX +/- .02
XXX +/- .015
C/US +/- .005
ANGLES +/- .5 DEG

NOTES:
HAMMOND CLAIMS PROPRIETARY RIGHTS TO THE MATERIAL ON THIS DRAWING. IT IS INTENDED TO BE USED AS A REFERENCE FOR ENGINEERING INFORMATION ONLY. THIS INFORMATION MAY NOT BE USED TO MANUFACTURE PRODUCTS WITHOUT WRITTEN PERMISSION FROM HAMMOND MANUFACTURING.



**HAMMOND
MANUFACTURING**

WEB: WWW.HAMMONDMFG.COM

TITLE		HAMMOND RMCV SERIES RACK ENCLOSURE	
DRAWN BY	MJM	DATE	09/17/01
SCALE		PAGE	3 OF 3
PART NUMBER		RMCV9058	