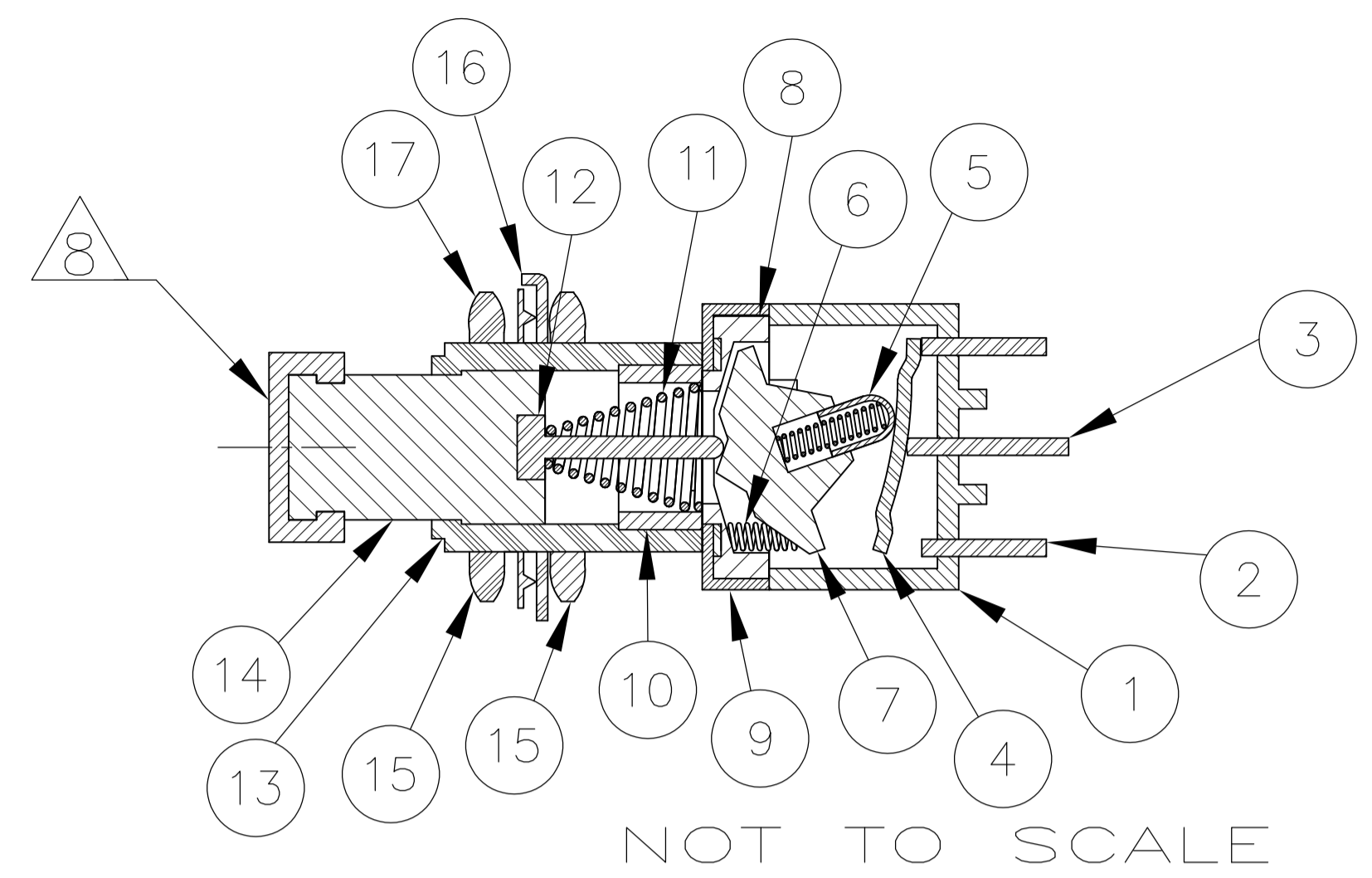
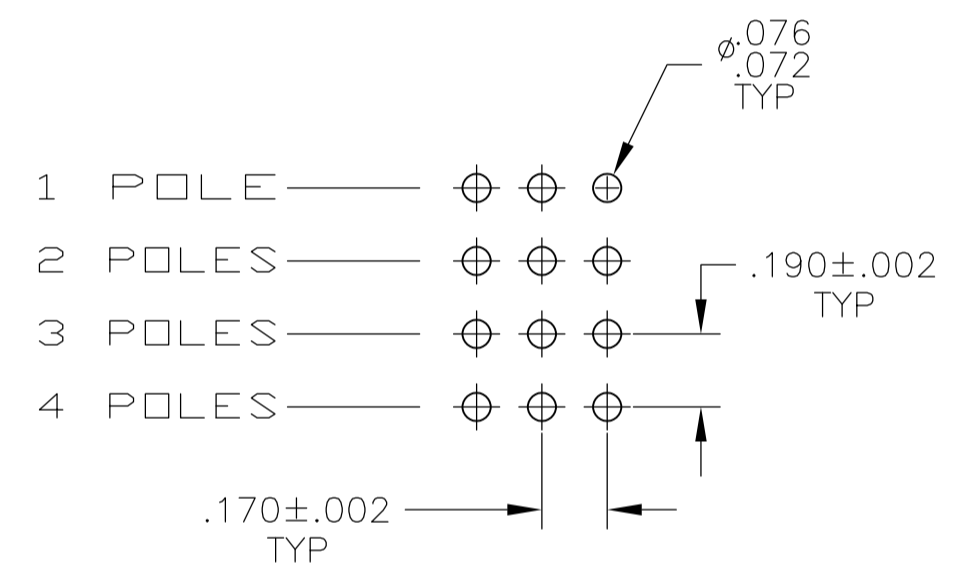
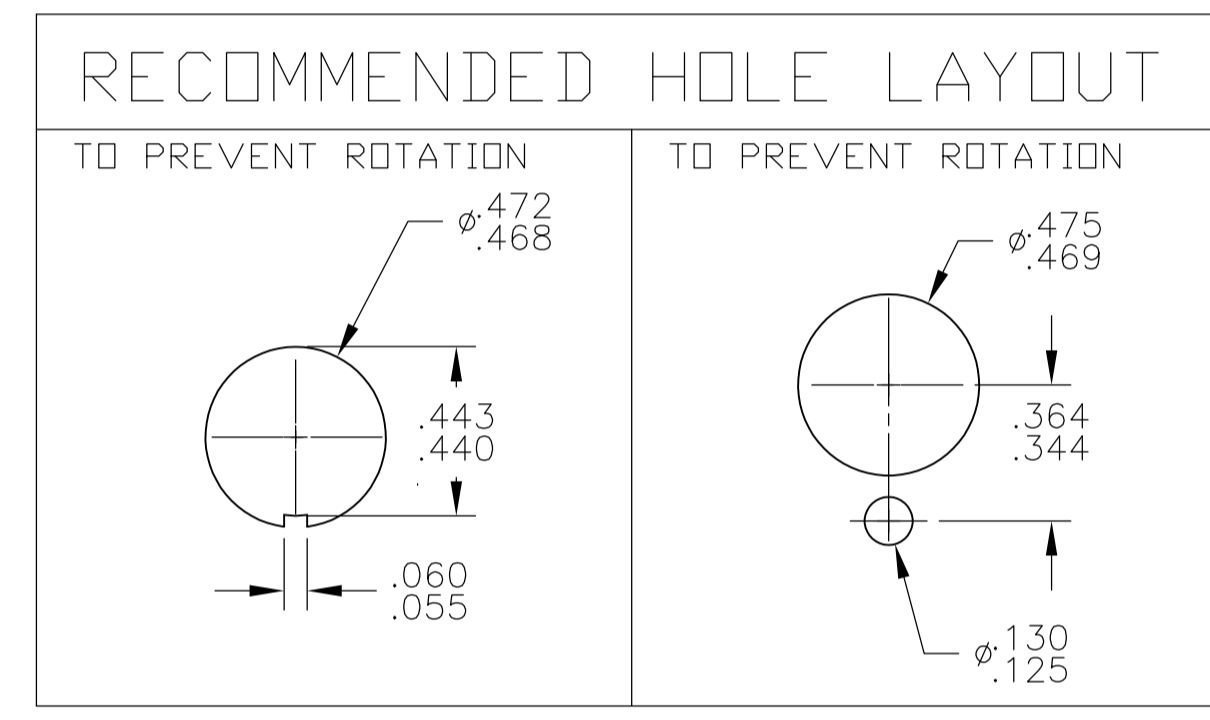


Materials			
No	Component name	Base material	Plating
1	Housing	Diallyl phthalate resin	
2	End terminal	silver clad copper alloy	gold flash
3	Center terminal	copper alloy	gold flash
4	Rocker contact	silver clad copper alloy	gold flash
5	Actuator tip	Phenol resin, UL94 HB	
6	Actuator spring	music wire	
7	Actuator	Phenol resin, UL94 HB	
8	Actuator guide	polymer	
9	Frame	stainless steel 100-77	
10	Retainer/Stopper	polyamid resin	none
11	Plunger spring	music wire	
12	Plunger pin	brass	
13	Bushing	zinc	nickel
14	Plunger	brass	nickel
15	Mounting nuts (2)	brass	nickel
16	Locating ring	cold rolled steel	nickel
17	Internal tooth lockwasher	steel	nickel



Specifications			
Current rating UL & CSA	6A @ 125 VAC (resistive)		
	3A @ 250 VAC (resistive)		
	4A @ 28 VDC (resistive)		
Initial contact resistance	10 milliohms max @ 2-4 VDC, 1A		
Dielectric strength	1,000 megohms min.		
Withstanding voltage	1,500 VAC		
Travel	.140		
Actuation force	.4 to 2 kgf		
Operating temperature	-20C to +85C		
Storage temperature	-40C to +85C		
Contact timing	break before make		
Terminal seal	over molded		
Durability	Parameter	Push on/ Push off	Momentary
	250 VAC (3A resistive)	30,000	30,000
	125 VAC (6A resistive)	30,000	30,000
	28 VDC (4A resistive)	30,000	30,000



PART NUMBER	Alco P/N	Mark SWITCH	Poles	Throws	Terminal	Function		Connected Terminals	
						MPG xxxx ALCO	MPG xxxx ALCO	MPG xxxx ALCO	MPG xxxx ALCO
5-1437567-8	MPG406R	MPG 406R	4	2	Wire lug	ON	MOM	2-1, 5-4, 8-7, 11-10	2-3, 5-6, 8-9, 11-12
5-1437567-7	MPG406N	MPG 406N	4	2	Wire lug	ON	ON	2-1, 5-4, 8-7, 11-10	2-3, 5-6, 8-9, 11-12
5-1437567-6	MPG306F	MPG 306F	3	2	Wire lug	ON	MOM	2-1, 5-4, 8-7	2-3, 5-6, 8-9
5-1437567-5	MPG306D	MPG 306D	3	2	Wire lug	ON	ON	2-1, 5-4, 8-7	2-3, 5-6, 8-9
5-1437567-4	MPG206RPC	MPG 206RPC	2	2	PC	ON	MOM	2-1, 5-4	2-3, 5-6
5-1437567-3	MPG206R	MPG 206R	2	2	Wire lug	ON	MOM	2-1, 5-4	2-3, 5-6
5-1437567-2	MPG206NPC	MPG 206NPC	2	2	PC	ON	ON	2-1, 5-4	2-3, 5-6
5-1437567-1	MPG206N	MPG 206N	2	2	Wire lug	ON	ON	2-1, 5-4	2-3, 5-6
5-1437567-0	MPG106F	MPG 106F	1	2	Wire lug	ON	MOM	2-1	2-3
4-1437567-9	MPG106D	MPG 106D	1	2	Wire lug	ON	ON	2-1	2-3

- NOTES:
- TERMINAL NUMBERS ARE FOR REFERENCE ONLY AND DO NOT APPEAR ON THE SWITCHES.
 - EACH SWITCH SUPPLIED WITH THE FOLLOWING MOUNTING HARDWARE:
 - (2) 15/32-32 UNS-2B HEX NUTS
 - (1) INTERNAL TOOTH LOCKWASHER
 - (1) LOCATING RING
 - SWITCHES TESTED TO AND MEET THE REQUIREMENTS OF UL 61058-1A,

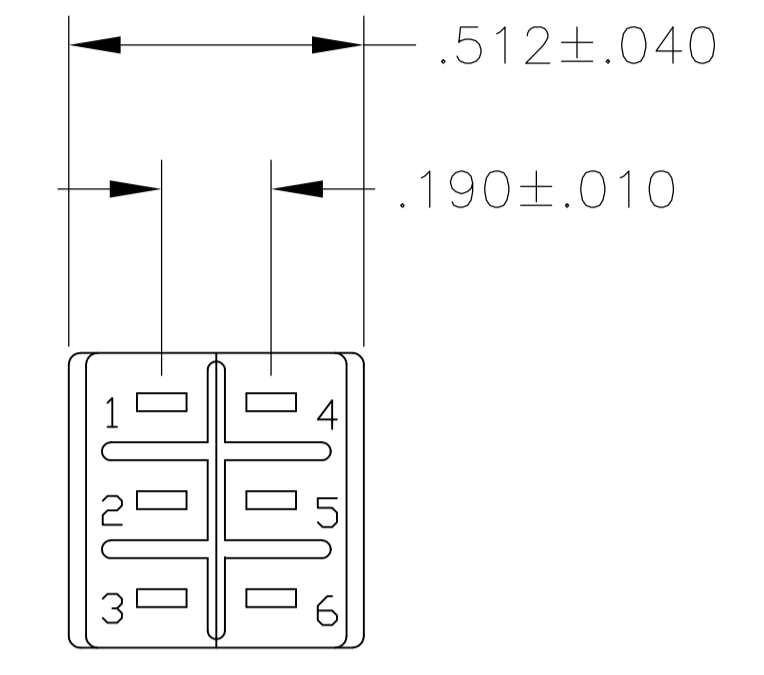
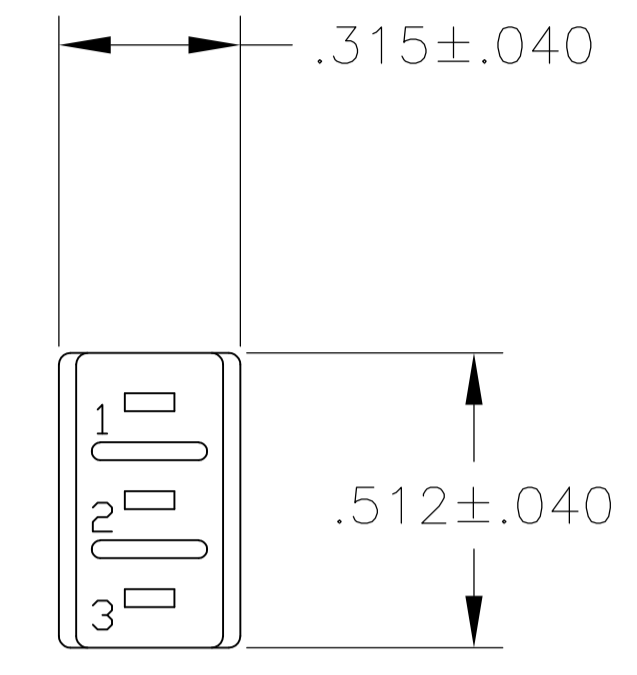
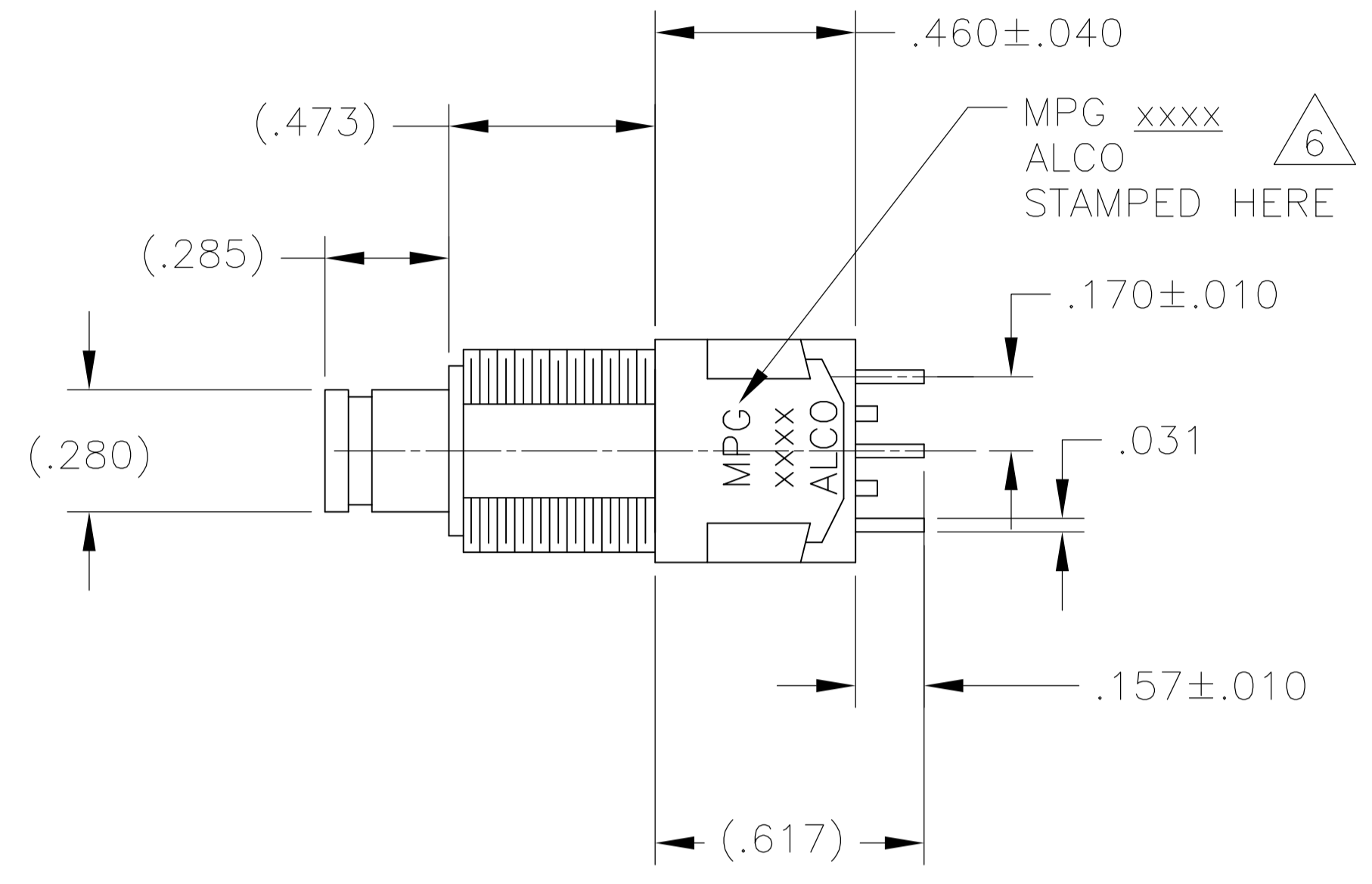
- 4 PENDING UL CSA RECOGNITION.
- 5 WIRE LUG CONTACTS WILL ACCEPT 2 #20 AWG SOLID OR STRANDED WIRES.
- 6 MARK SWITCH
- 7. ALL MATERIALS AND FINISHES SHALL COMPLY WITH EU DIRECTIVE 2002/95/EC OF 27JAN2003 (ROHS).
- 8 BLACK CAP INCLUDED WITH EACH SWITCH IF DIFFERENT COLOR REQUIRED ORDER SEPARATELY DRAWING NUMBER 7-1437627-1

THIS DRAWING IS A CONTROLLED DOCUMENT.

DIMENSIONS: INCHES	TOLERANCES UNLESS OTHERWISE SPECIFIED:	0. PLC ± .010	1. PLC ± .008	2. PLC ± .007	3. PLC ± .006	4. PLC ± .005	ANGLES ± .1
MATERIAL	FINISH	SIZE: A1		CAGE CODE: 00779	DRAWING NO: 4-1437567-9	RESTRICTED TO: CUSTOMER DRAWING	

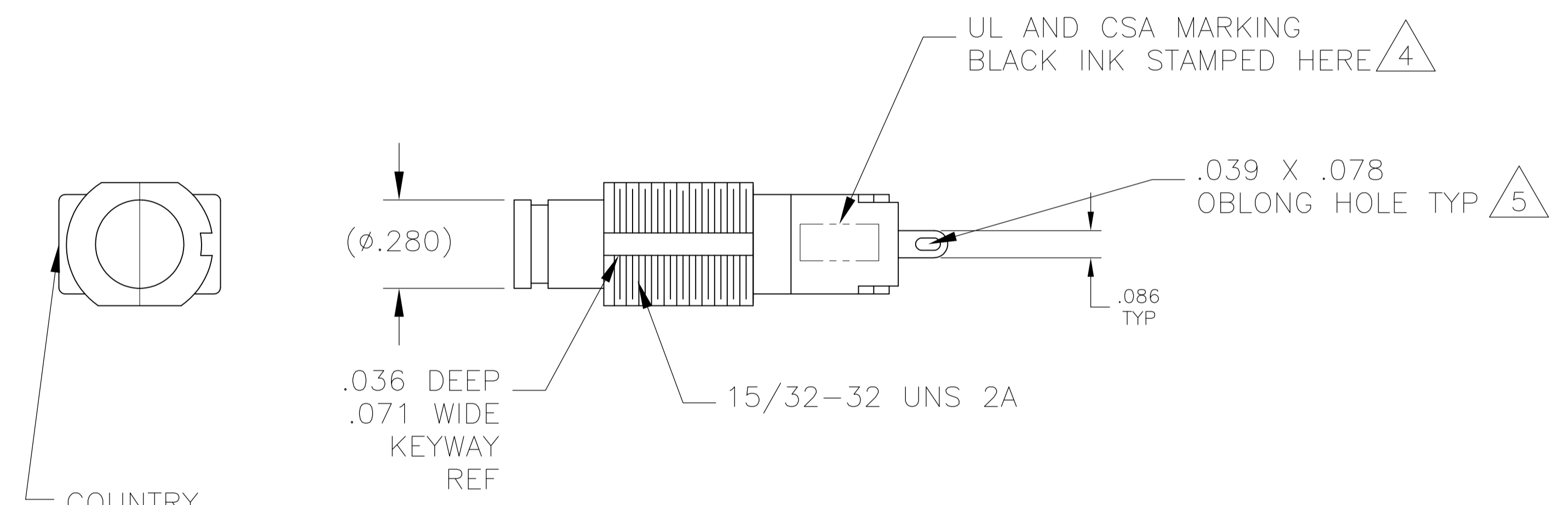
Scale: 3:1, Sheet 1 of 3, Rev C

LOC		DIST		REVISIONS			
P	LTR	DESCRIPTION	DATE	DN	APVD		
-	-	SEE SHEET 1	-	-	-	-	-

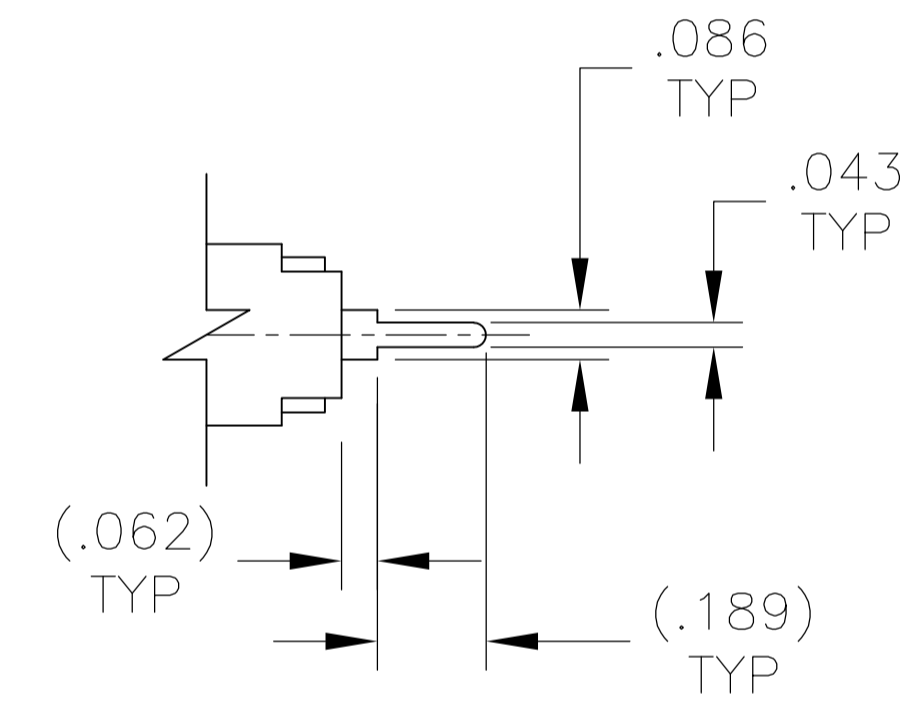


MPG-106

MPG-206

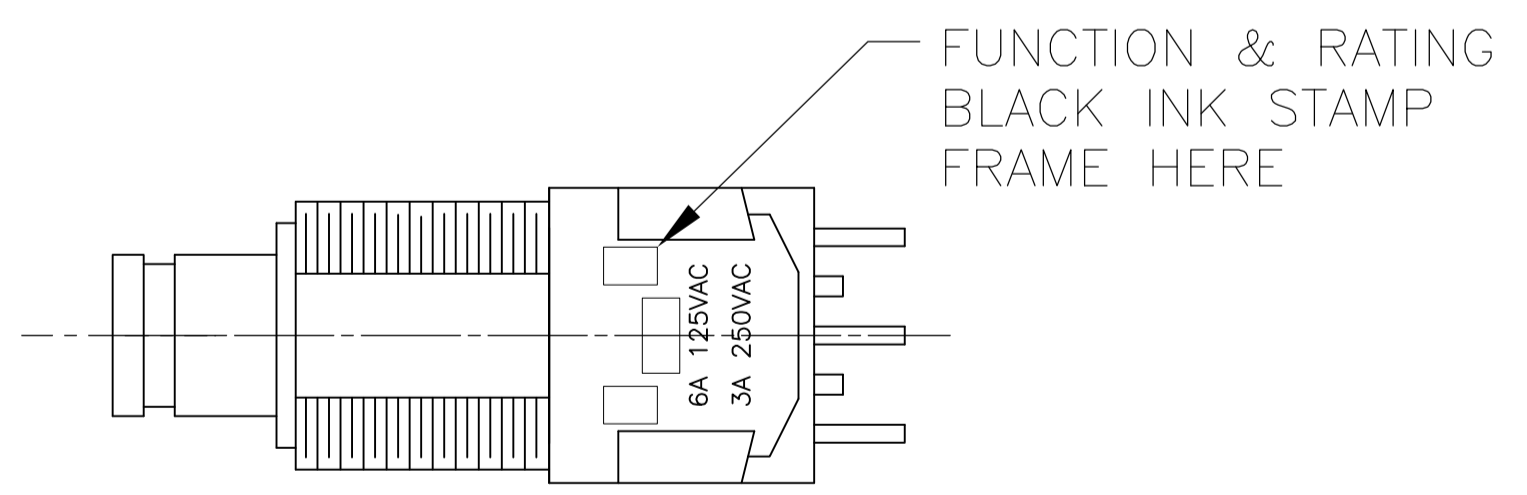


WIRE LUG TERMINAL



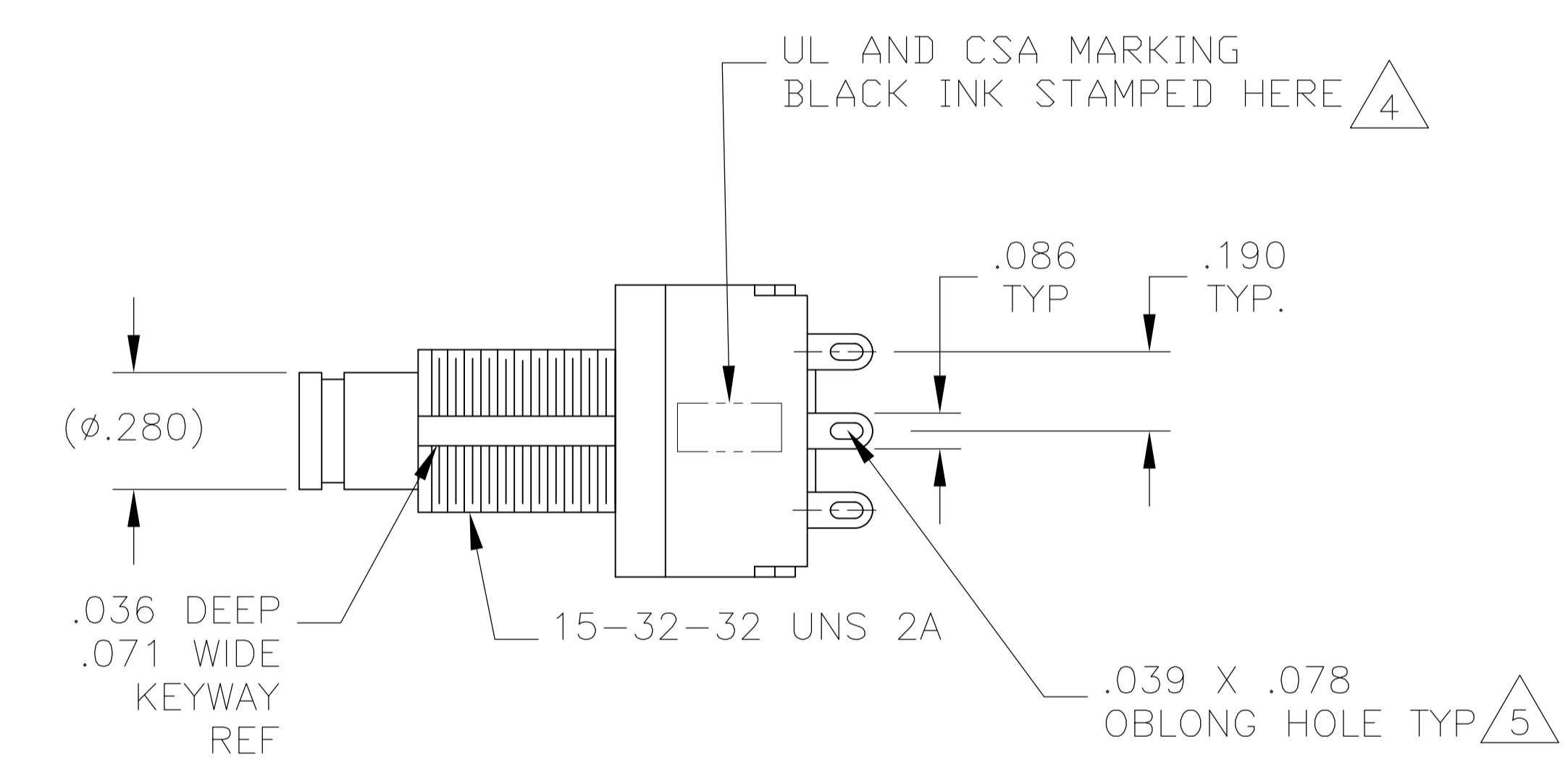
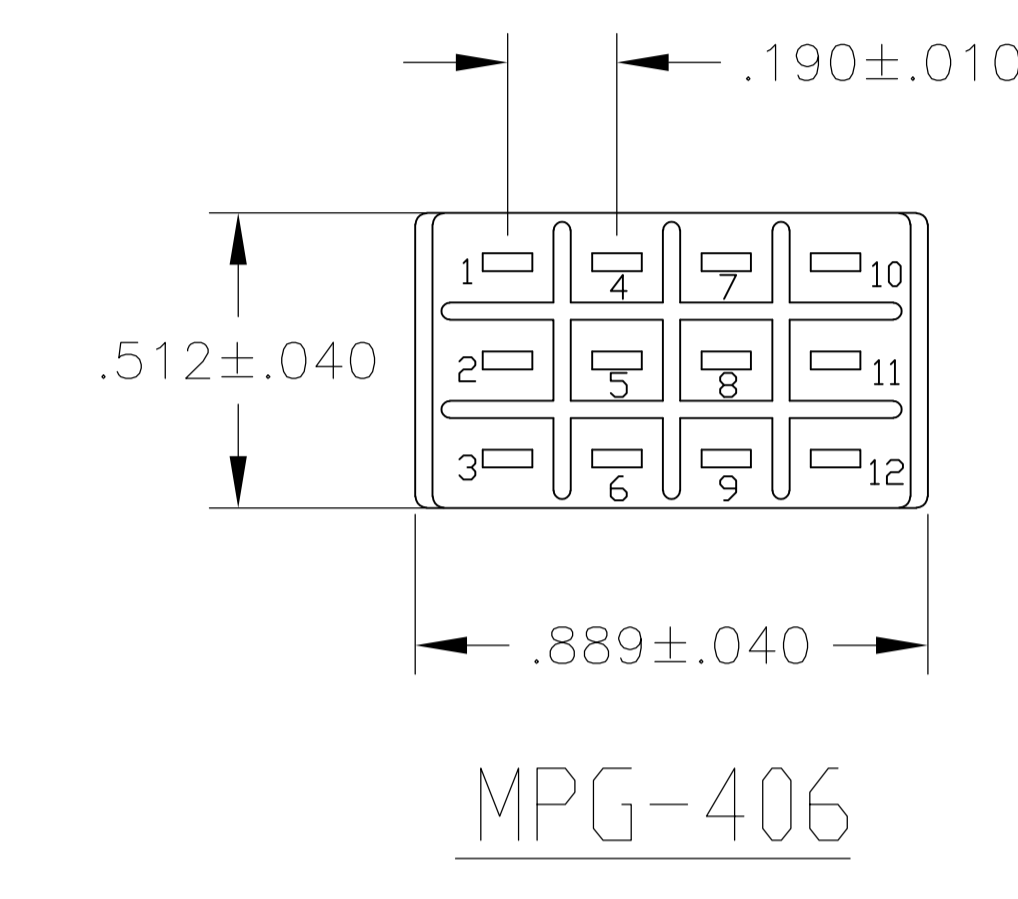
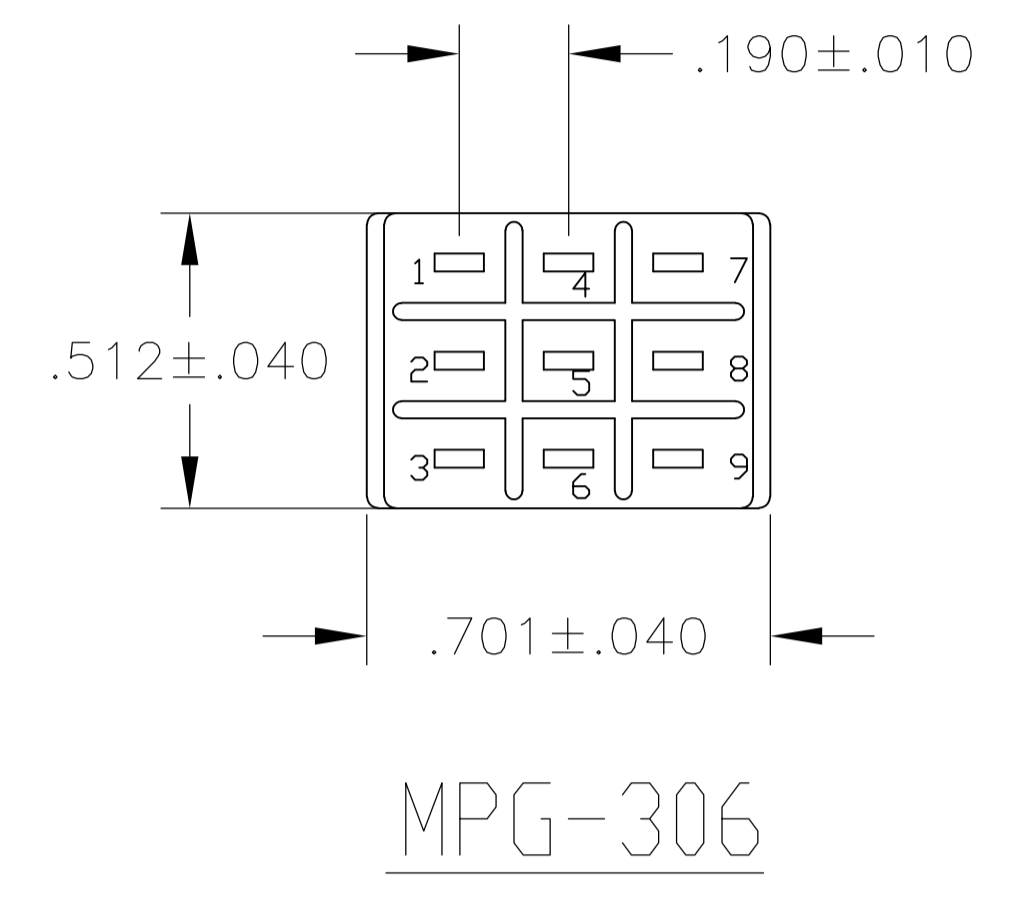
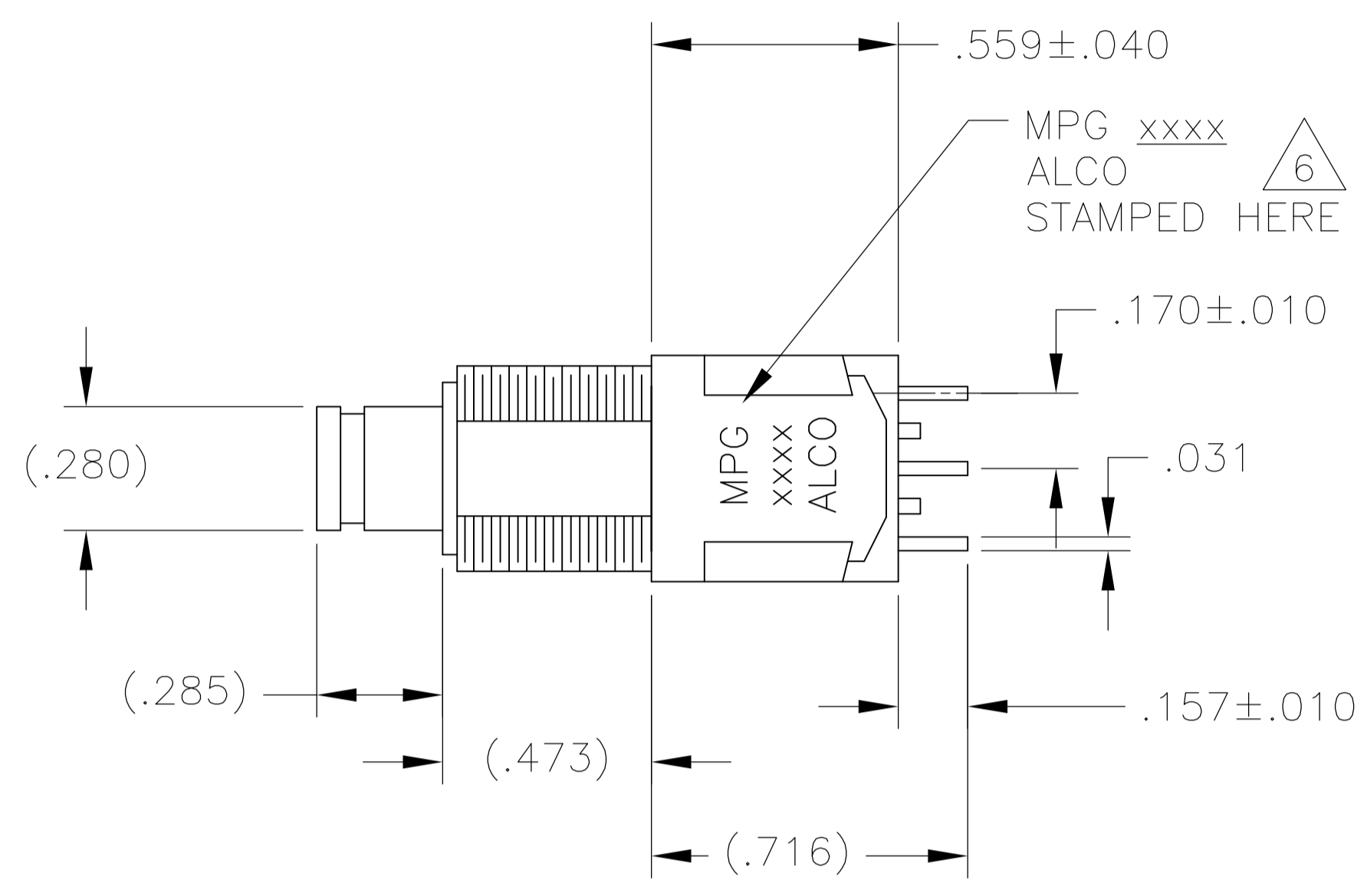
PC TERMINAL

COUNTRY OF ORIGIN STAMPED HERE EITHER SIDE

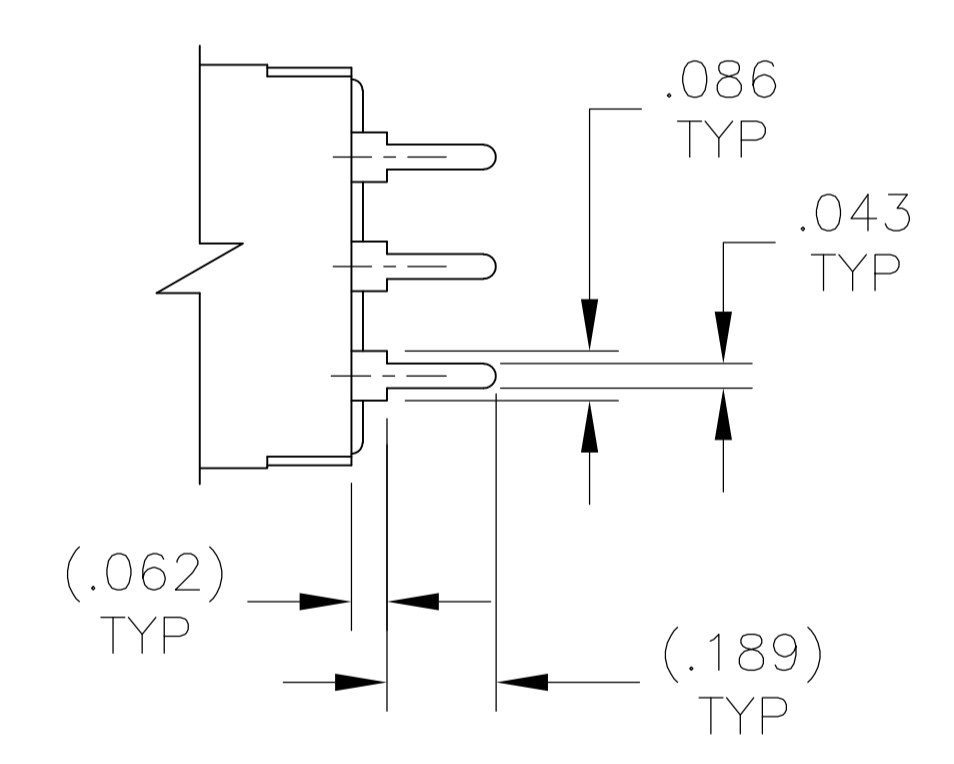


THIS DRAWING IS A CONTROLLED DOCUMENT.		DIN M. BINNER 15NOV04	02MAR09	Tyco Electronics Corporation Harrisburg, PA	
DIMENSIONS: INCHES		CHK M. ZITTO 15NOV04	NAME M. ZITTO	ALCOSWITCH GREEN SERIES PUSHBUTTON SWITCH, MPG SERIES	
TOLERANCES UNLESS OTHERWISE SPECIFIED:		PRODUCT SPEC		APPLICATION SPEC	
0. PLC ± -		APPROX		RESTRICTED TO	
1. PLC ± -		NAME		SIZE	
2. PLC ± -		PRODUCT SPEC		CAGE CODE	
3. PLC ± .012		APPLICATION SPEC		DRAWING NO	
4. PLC ± -		WEIGHT		A1 00779	
ANGLES ± -		CUSTOMER DRAWING		SCALE 3:1	
FINISH		SHEET 2 OF 3		REV C	

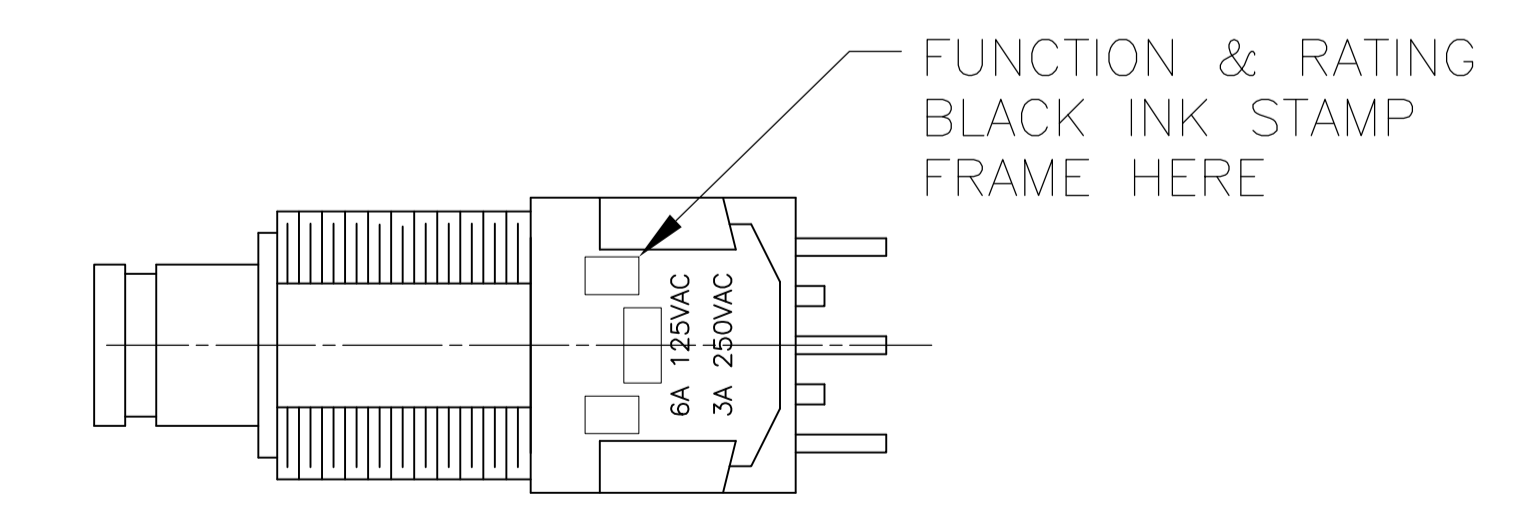
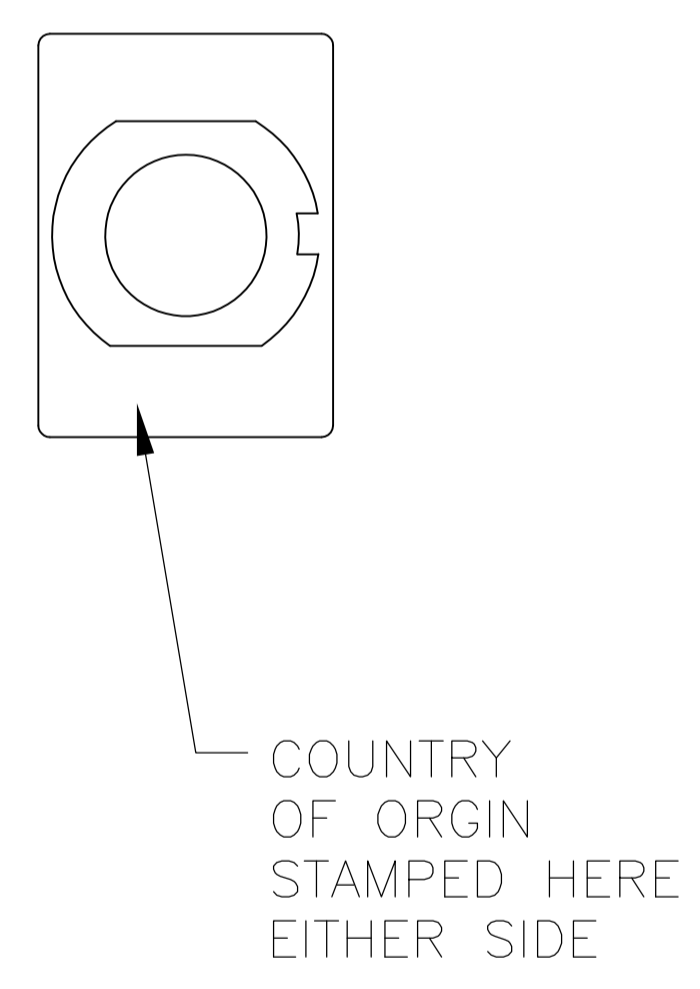
LOC		DIST		REVISIONS			
P	LTR	DESCRIPTION	DATE	DN	APVD		
-	-	SEE SHEET 1	-	-	-	-	-



WIRE LUG TERMINAL



PC TERMINAL



THIS DRAWING IS A CONTROLLED DOCUMENT.		DIN M. BINNER 15NOV04	02MAR09	Tyco Electronics Corporation Harrisburg, PA																							
DIMENSIONS: INCHES		TOLERANCES UNLESS OTHERWISE SPECIFIED:		Tyco Electronics																							
<table border="1"> <tr><td>0. PLC</td><td>± .01</td></tr> <tr><td>1. PLC</td><td>± .01</td></tr> <tr><td>2. PLC</td><td>± .01</td></tr> <tr><td>3. PLC</td><td>± .012</td></tr> <tr><td>4. PLC</td><td>± .01</td></tr> <tr><td>ANGLES</td><td>± .01</td></tr> </table>		0. PLC	± .01	1. PLC	± .01	2. PLC	± .01	3. PLC	± .012	4. PLC	± .01	ANGLES	± .01	<table border="1"> <tr><td>APVD</td><td>M. ZITTO</td></tr> <tr><td>NAME</td><td>M. ZITTO</td></tr> <tr><td>PRODUCT SPEC</td><td></td></tr> <tr><td>APPLICATION SPEC</td><td></td></tr> <tr><td>WEIGHT</td><td></td></tr> </table>		APVD	M. ZITTO	NAME	M. ZITTO	PRODUCT SPEC		APPLICATION SPEC		WEIGHT		ALCOSWITCH GREEN SERIES PUSHBUTTON SWITCH, MPG SERIES	
0. PLC	± .01																										
1. PLC	± .01																										
2. PLC	± .01																										
3. PLC	± .012																										
4. PLC	± .01																										
ANGLES	± .01																										
APVD	M. ZITTO																										
NAME	M. ZITTO																										
PRODUCT SPEC																											
APPLICATION SPEC																											
WEIGHT																											
MATERIAL		FINISH		SIZE A1	CAGE CODE 00779																						
				DRAWING NO. 4-1437567-9	RESTRICTED TO																						
				SCALE 3:1	SHEET 3 OF 3																						
				CUSTOMER DRAWING	REV C																						