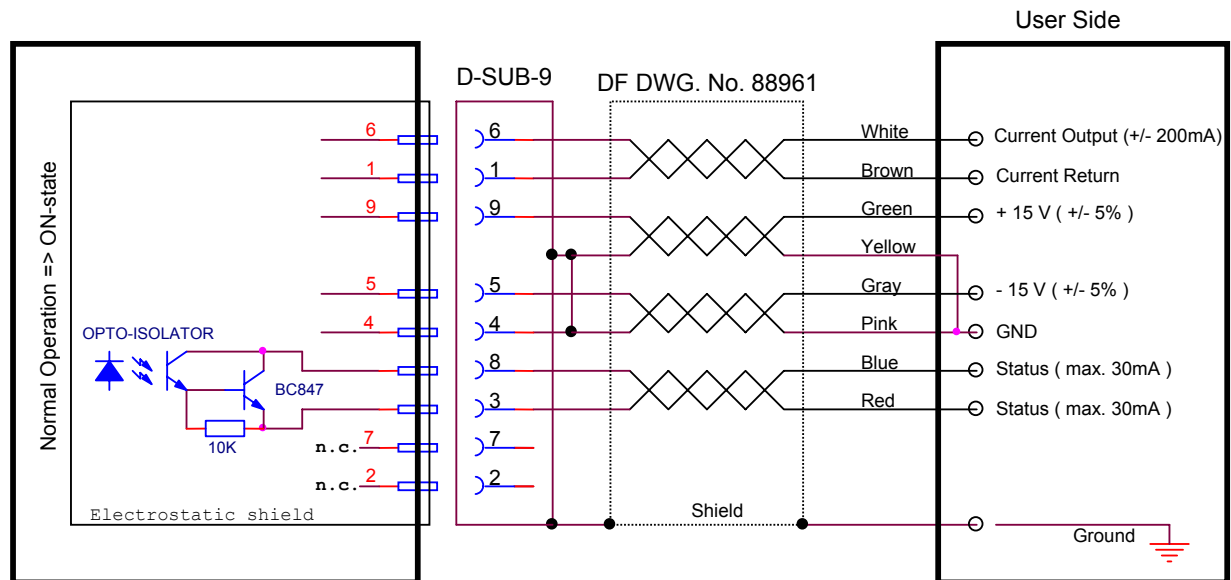


## ULTRASTAB 867-2001 INSTALLATION



### Pin configuration for 9 pole D\_SUB :

Pin 1	Current return	Pin 6	Current output
Pin 2	N.C.	Pin 7	N.C.
Pin 3	Normal operation status	Pin 8	Normal operation status
Pin 4	GND	Pin 9	+15V supply voltage
Pin 5	-15V supply voltage	House	Electrostatic shield

### Electrical specification - power :

Supply voltage pin 9 to pin 4	:	+ 15 V +/- 5 %
Supply voltage pin 5 to pin 4	:	- 15 V +/- 5 %
Supply current pin 9 to pin 4	:	+ 70 mA + output current ( 200 mA nom. )
Supply current pin 5 to pin 4	:	- 70 mA - output current ( 200 mA nom. )
Test voltage secondary (pin 4) to shield	:	200 VDC

### Electrical specification – status signal :

Fault level ( off-state )	:	$I_p > 110 \%$
Max. voltage pin 8 to pin 3 , off-state	:	45 V
Max. current pin 8 to pin 3 , on-state	:	30 mA
Reverse voltage pin 8 to pin 3 , off-state	:	5 V
On-voltage pin 8 to pin 3 , $I = 5 \text{ mA}$	:	1 V max.
Test voltage secondary (pin 4) to pin 8	:	300 VDC

### Accessories :

- 9 pole D-sub plug with 2m shielded cable ( Part No. 65889610 )
- 5  $\Omega$  Burden Resistor ( 2 x 10  $\Omega$  ) , 0.05% ,  $T_c < 3 \text{ ppm}/^\circ\text{C}$
- $\varnothing$  25mm busbar