

REVISIONS			
REV	DESCRIPTION	DATE	APPROVED

D

D

C

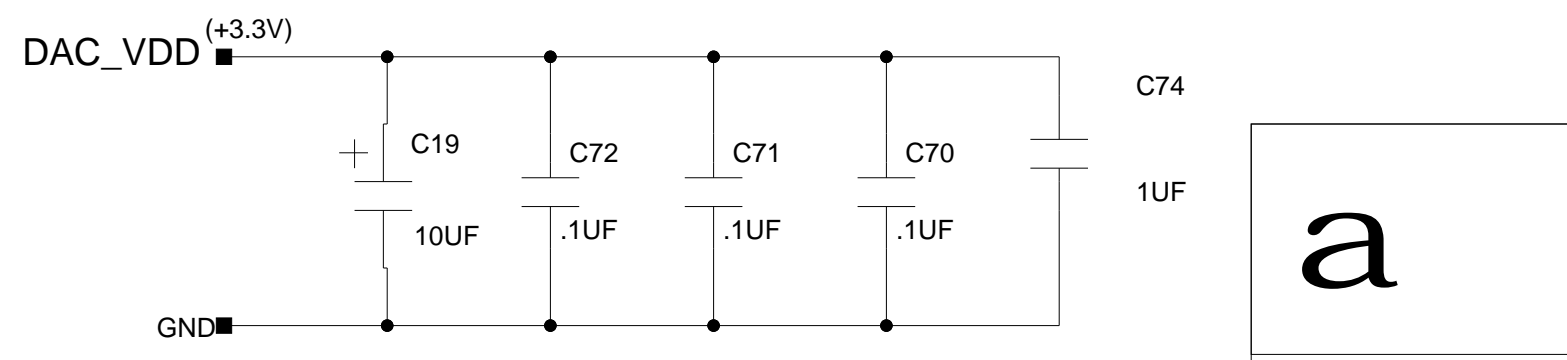
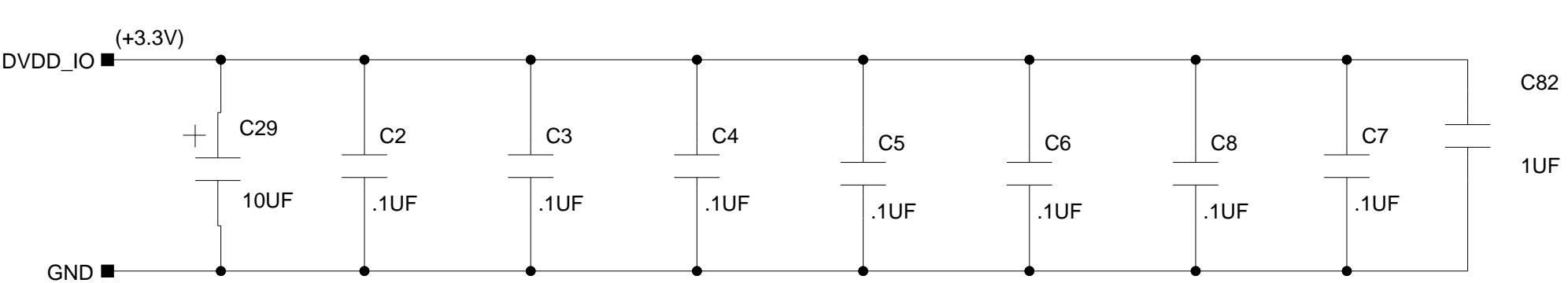
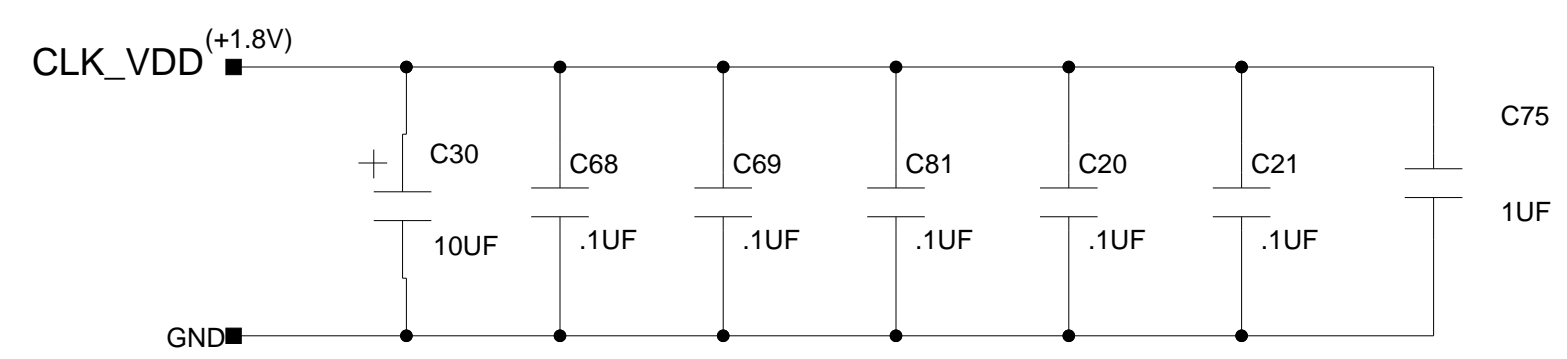
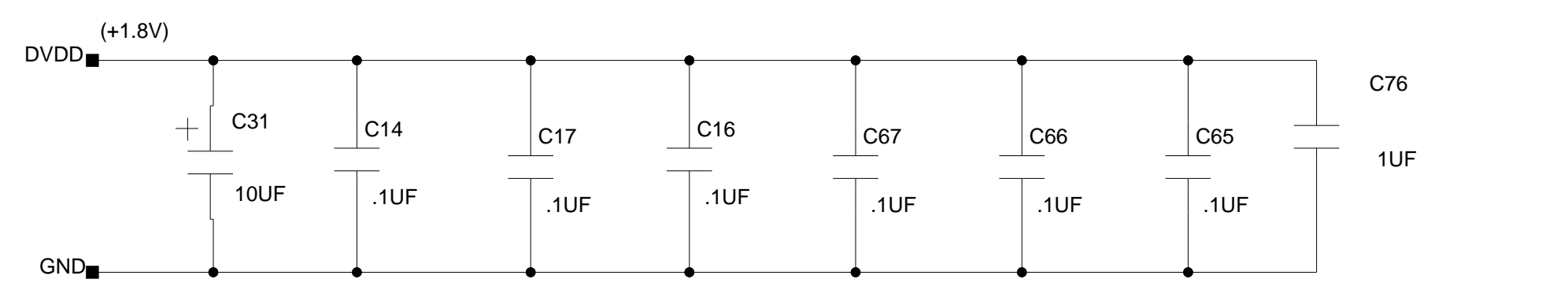
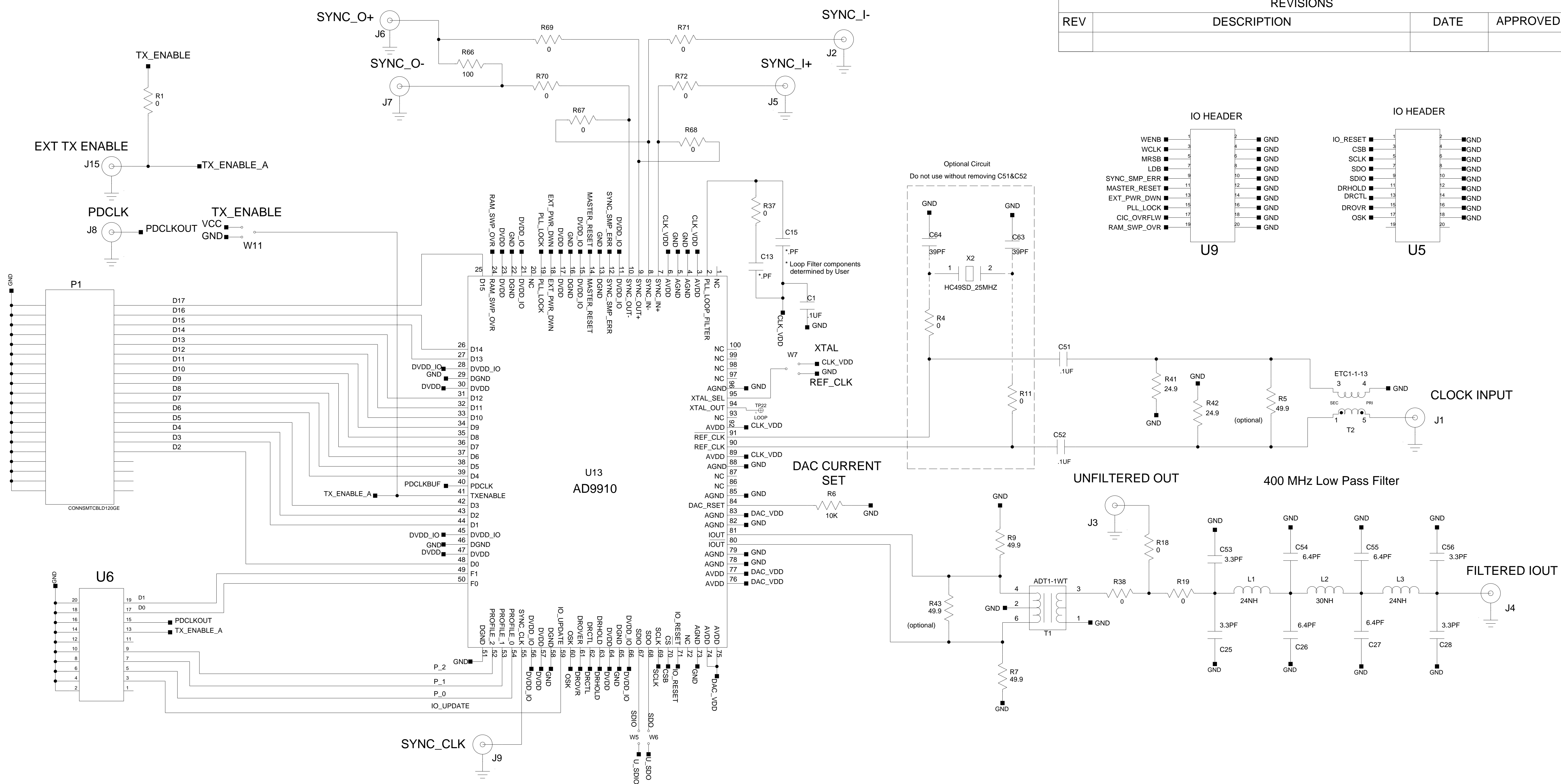
C

B

B

A

A



a	ASC GREENSBORO		TITLE	
	7910 TRIAD CENTER DRIVE GREENSBORO NC 27409		AD9910 R1 EVALUATION BOARD	
DATE: 10-DEC-2007	SHEET 1 OF 2	DRAWN BY: A.MACK	DRAWING NUMBER	
				REV G

REVISIONS			
REV	DESCRIPTION	DATE	APPROVED

D

D

C

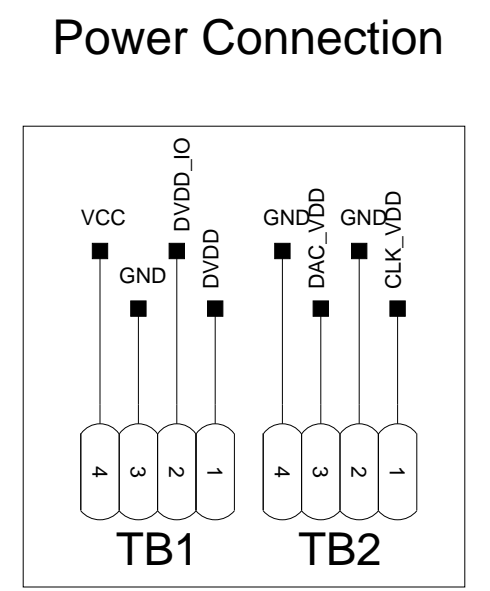
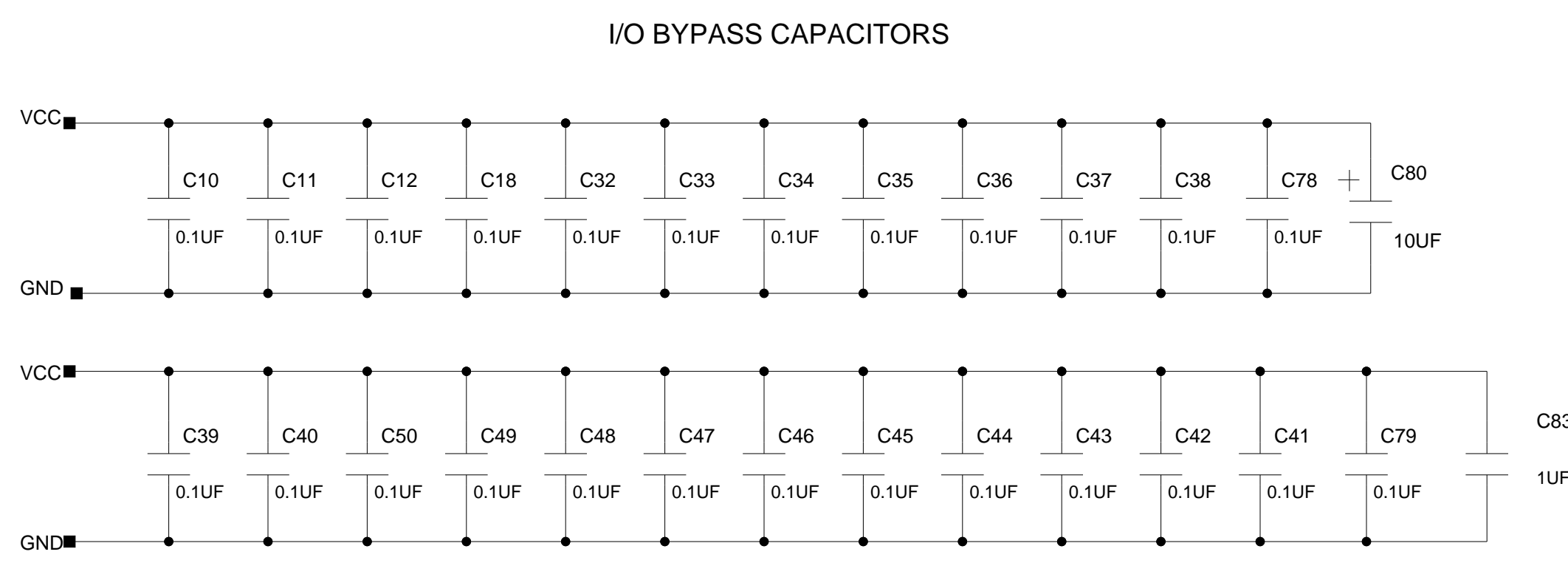
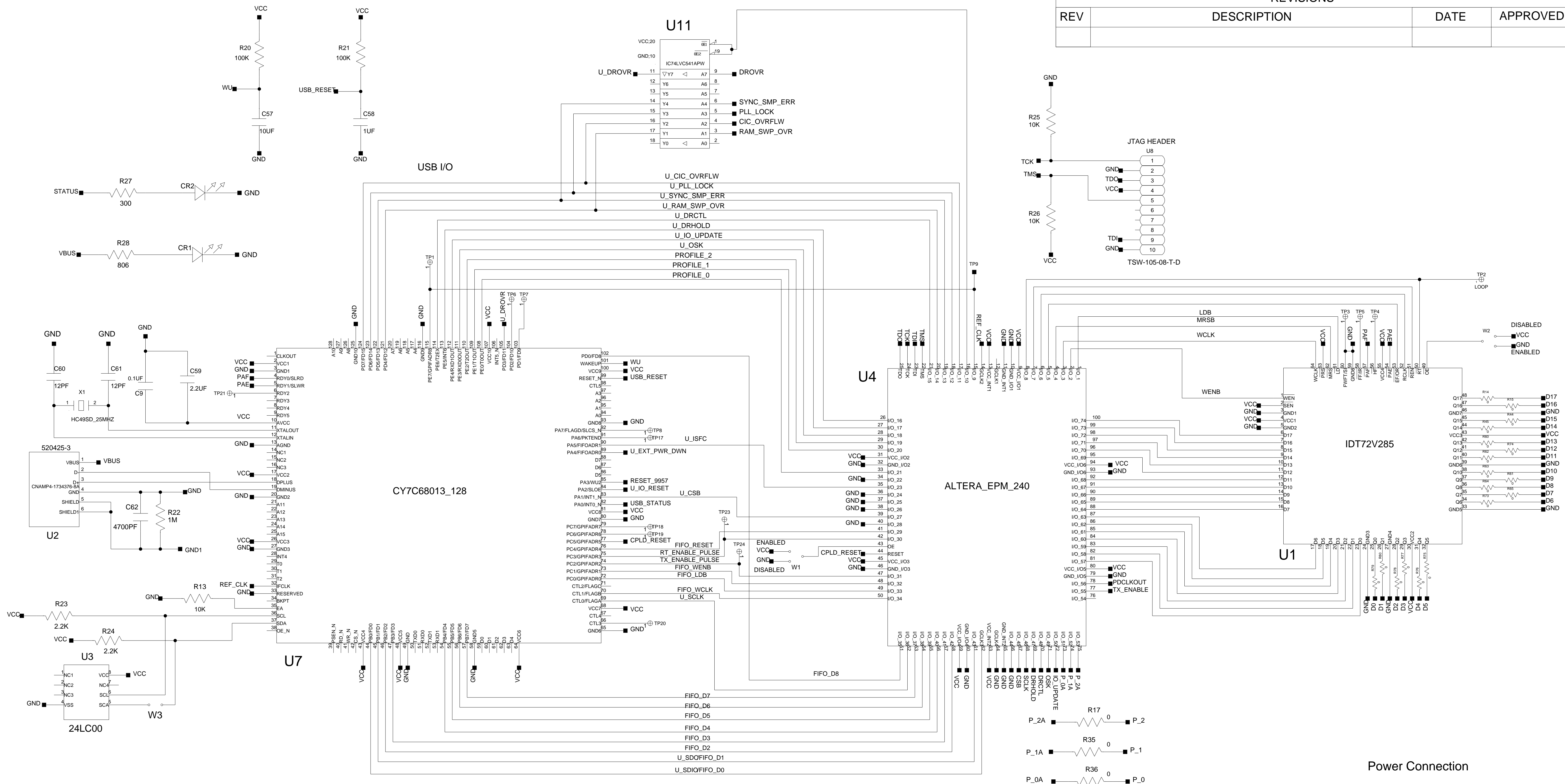
C

B

B

A

A



a	ASC GREENSBORO 7910 TRIAD CENTER DRIVE GREENSBORO NC 27409		TITLE AD9910 R1 EVALUATION BOARD
	DATE: 10-DEC-2007	SHEET 2 OF 2	DRAWING NUMBER
DRAWN BY: A.MACK		REV G	