

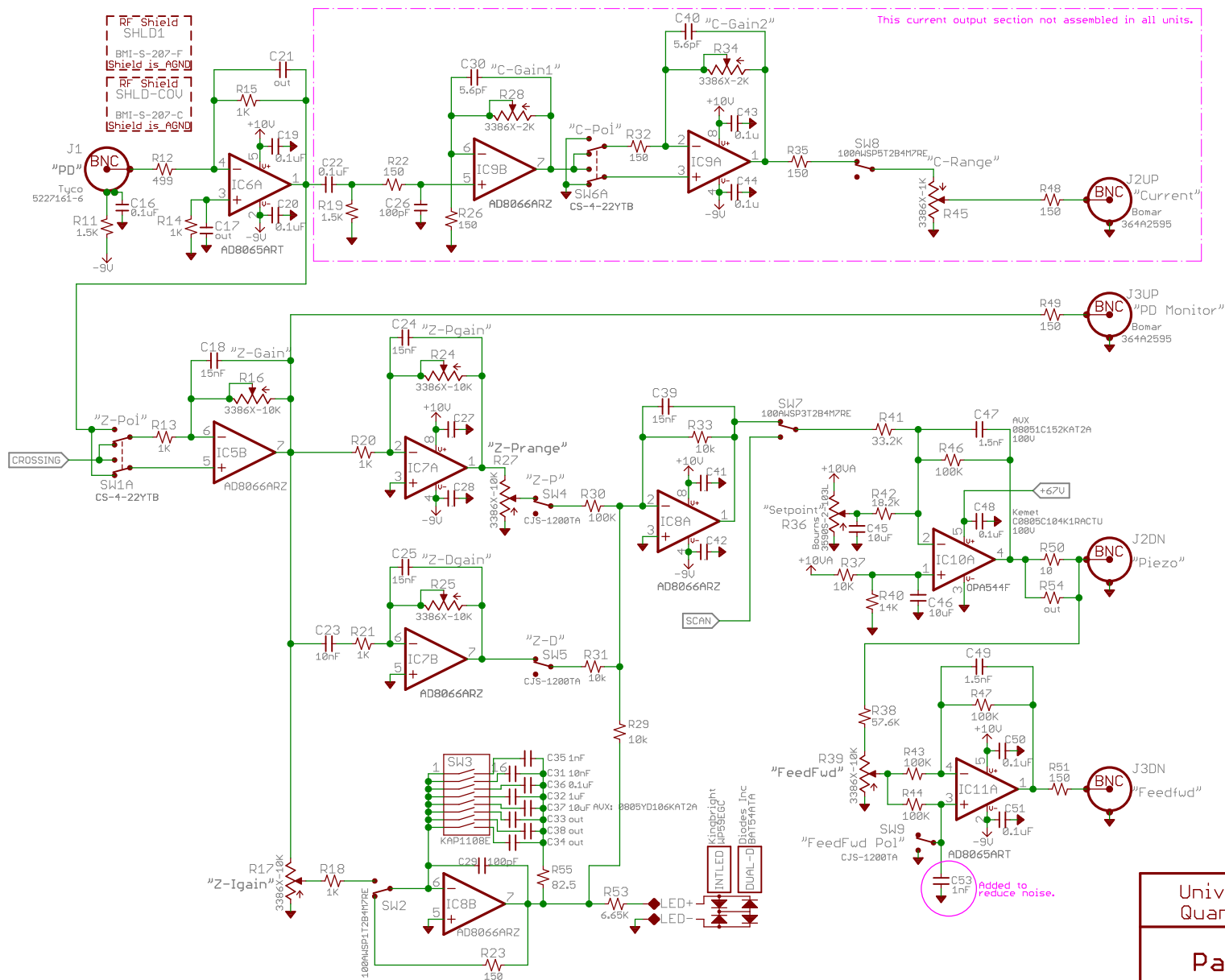
NOTES:

- 1) Alt multiturn trimpot is 3296P.
- 2) The Tanura transformers can't handle bridge and filter loads too well, severe clipping.

Pandora Driver (Xingxing):File

Ltr	Date	By	Description
B2	Apr'11	X.X./A.S.	As assembled after testing.
B1	Apr'11	X.X./A.S.	Initial release of Rev:B.

REVISIONS		Pandora Driver	
University of Toronto Quantum Optics Group		Steinberg Lab	
Drawn: X.Xing/A.Stummer		Sheet: 1/2	
Edited: 21/02/2013 14:22:31		REV: B2	



University of Toronto
 Quantum Optics Group

Pandora Driver

Edited: 21/02/2013 14:22:31
 Sheet: 2/2