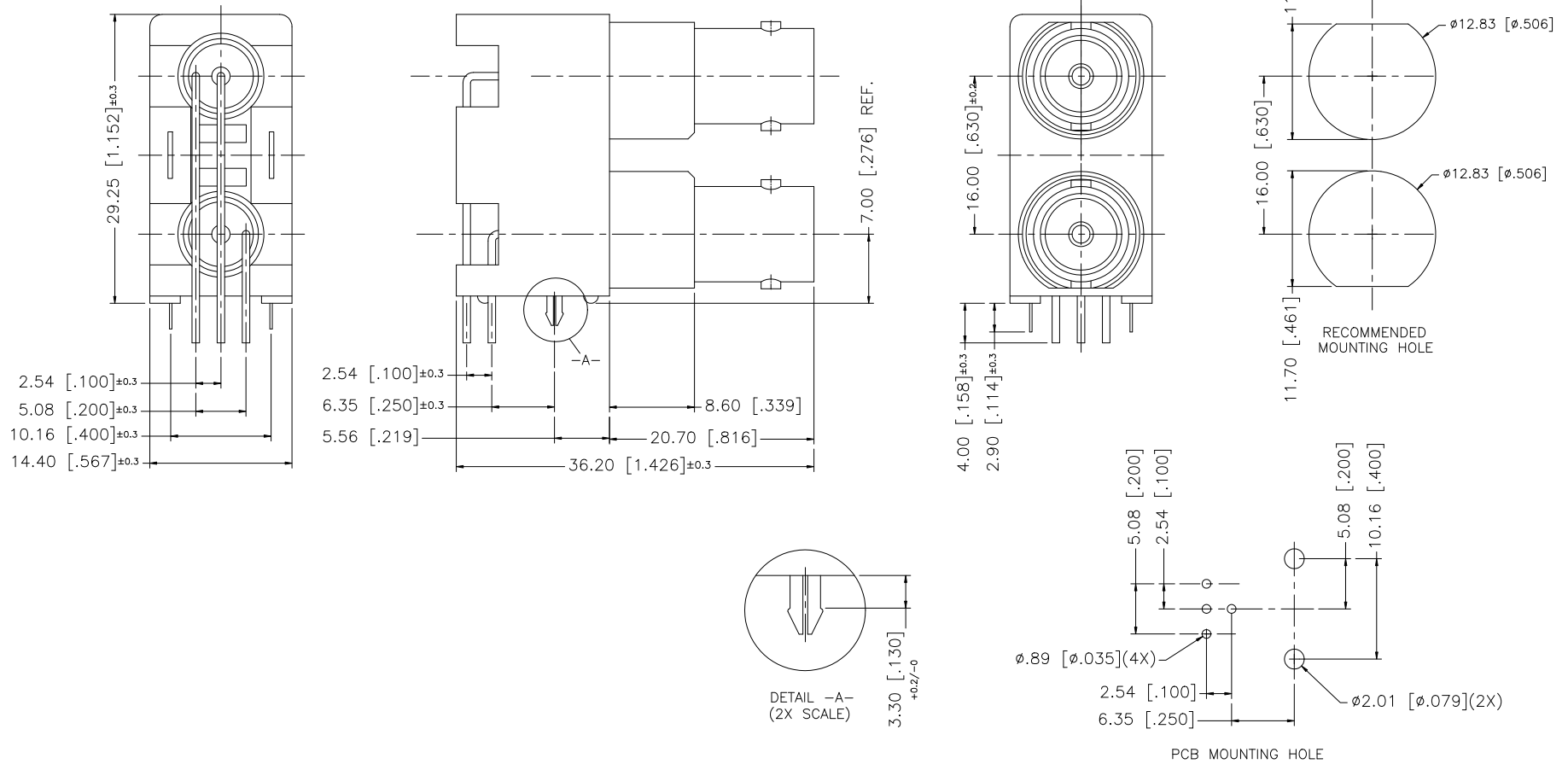


REV.	DATE	DESCRIPTION
NC	04/11/02	INITIAL RELEASE
A	12/11/07	REVISE CONTACT PIN MATERIAL / UPDATE DRAWING FORMAT



QTY	FINISH	MATERIAL	DESCRIPTION
1	NICKEL	ZINC DIE CAST	BODY
1	NATURAL	POLY PRO	INSULATOR
1	BRT. TIN	PHOS. BRONZE	CONTACT PIN
1	RED	PBT	HOUSING
1	BRT. TIN	COPPER	POST
1	BRT. TIN	COPPER	POST
1	BRT. TIN	BRASS	MOUNTING POST

UNLESS OTHERWISE SPECIFIED DIMENSIONS ARE IN MILLIMETERS. DIMENSIONS IN [] ARE IN INCHES AND FOR CUSTOMER REFERENCE ONLY.

UNLESS OTHERWISE SPECIFIED TOLERANCES FOR MILLIMETERS ARE:
0.5 - 8mm ± 0.20 mm
8 - 30mm ± 0.40 mm
30 - 120mm ± 0.50 mm

UNLESS OTHERWISE SPECIFIED TOLERANCES FOR INCHES ARE:
.020 - .315 = ± 0.007 "
.315 - 1.180 = ± 0.015 "
1.180 - 4.724 = ± 0.020 "

DO NOT SCALE DRAWING

APPROVALS	DATE
DRAWN G.R.S.	12/11/07
CHECKED	
ISSUED	
SHEET 1 OF 1	
CAD FILE	C:/112/112705.DWG

Amphenol Connex

PART DESCRIPTION
**DUAL PORT BNC R/A PCB
MOUNT RECEPTACLE - BLACK 50ohm**

PART NO.
112705

DWG. NO. 112705.DWG	REV. A	SIZE A	SCALE NA
---------------------	--------	--------	----------