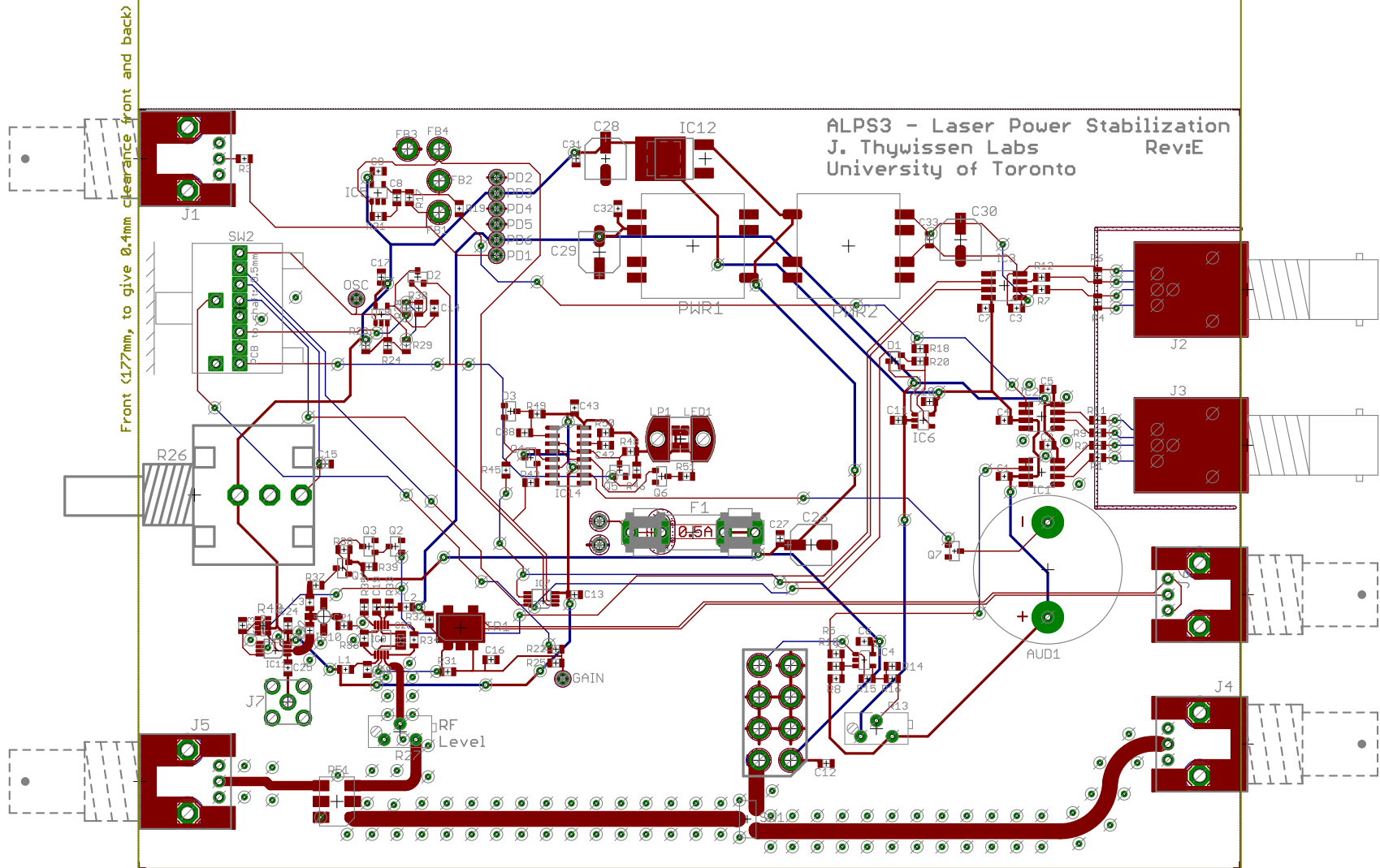


Fits big slot in side rails (164.84mm, to give clearance 0.5mm both sides, big slot 4.65mm deep x 3.5mm high)

Fits PCB slots in rails (160.12mm, to give clearance 0.5mm both sides, slots 2.3mm deep x 1.91mm high)

Clears side rails (155.5mm, to give clearance 0.52mm both sides)



| | |
|---|--------------------------------------|
| University of Toronto Quantum Optics Group | ALPS3 - Laser Power Stabilization |
| Design: A. Stummer Aug '12 | Edited: 2017-02-17 3:13 PM |
| File: ALPS3 | Rev: E |
| Trace: 0.18mm (7mil) Power: 0.4mm | Space: 0.18mm (7mil) |
| Autorouter Grid: | Placement Grid: 0.25mm |
| Notes: Panelized with 0.3" (7.62mm) spaces between boards for Alberta Printed Circuits APC. | |

- PDEXT
- WART
- CASE
- SW4
- COAX
- KNOB2
- KNOB1