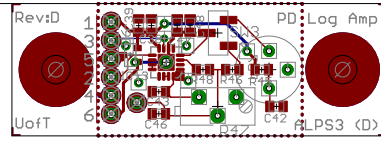
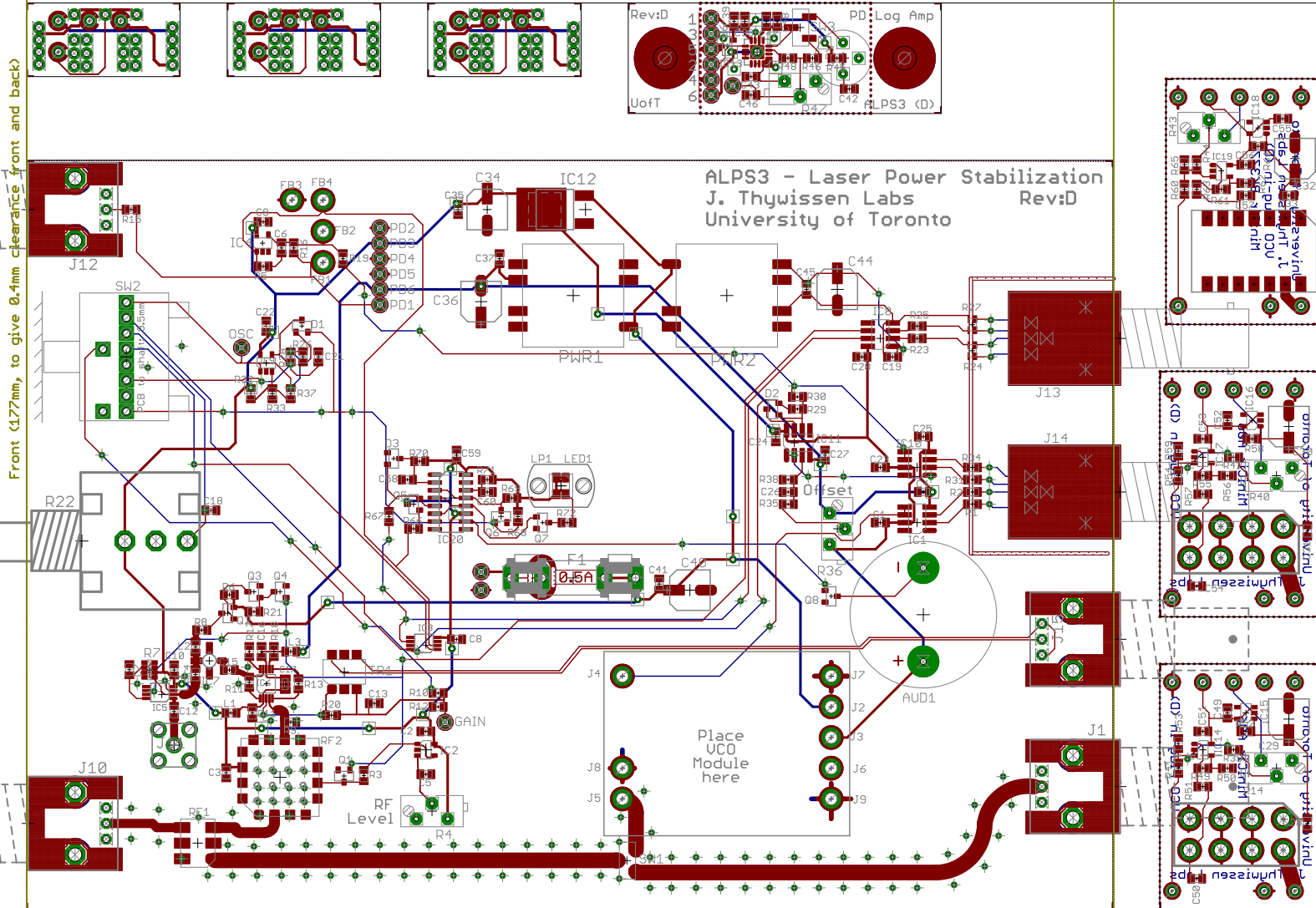


Fits big slot in side rails (164.84mm, to give clearance 0.5mm both sides, big slot 4.65mm deep x 3.5mm high)

Fits PCB slots in rails (160.12mm, to give clearance 0.5mm both sides, slots 2.3mm deep x 1.91mm high)

Clears side rails (155.5mm, to give clearance 0.52mm both sides)



ALPS3 - Laser Power Stabilization  
J. Thywissen Labs  
University of Toronto  
Rev:D

Place VCO Module here

Front (177mm, to give 0.4mm clearance front and back)

University of Toronto Quantum Optics Group		ALPS3 - Laser Power Stabilization	
Design: A. Stummer Aug '12		Edited: 10/12/2014 17:07:39	
File: ALPS3		Rev: D	
Trace: 0.18mm (7mil)	Power: 0.4mm	Space: 0.18mm (7mil)	
Autorouter Grid:		Placement Grid: 0.25mm	
Notes: Panelized with 0.3" (7.62mm) spaces between boards for Alberta Printed Circuits APC.			

- PDCON
- PDXT
- SPCR1
- SPCR2
- BLKHD
- COAX
- CASE
- BIWART

