

CASE	1598CGY Hammond
POWER	EPS120050-P7P CUI
FILTR	LFB143064-000 Laird Tech
GRMNT	731 or 736 Keystone

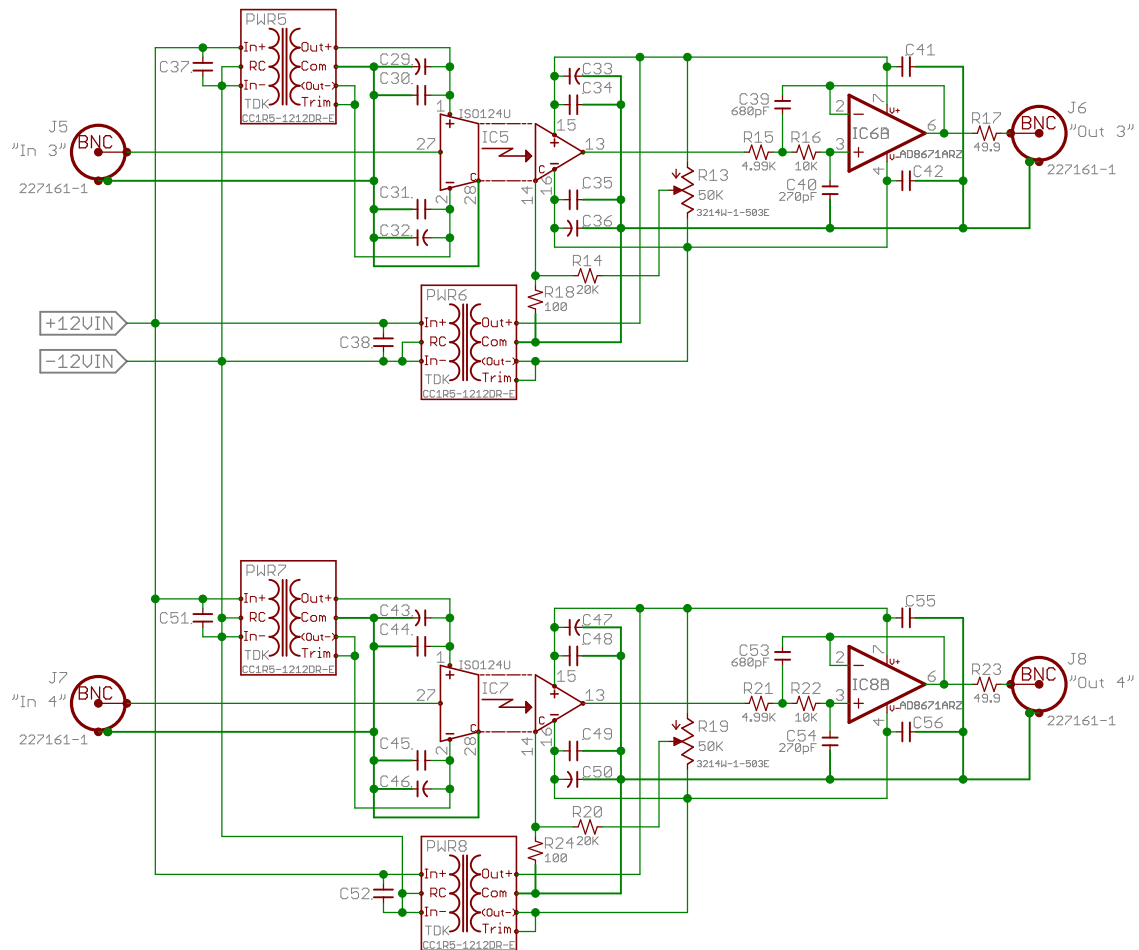
### NOTES

- 1) Electrolytics are all 22uF/16V, Kemet A700D226M016ATE018.
- 2) Ceramics are all 0.1uF X7R or C0G.
- 3) Measured 300mA from 12V with all outputs at zero.

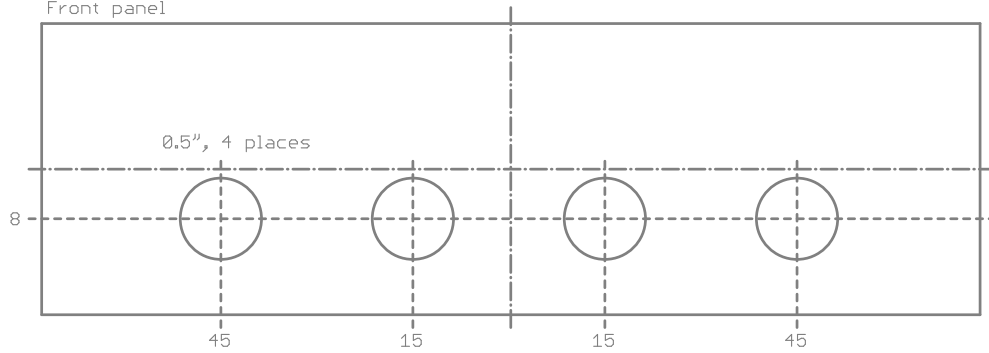
Ltr	Date	By	Description
A2	Aug'14	A.Stummer	Changed opamps to ADB671-2ARZ (was OPA[2]237UA)
A1	Sep'12	A.Stummer	Original, as first designed

### REVISIONS

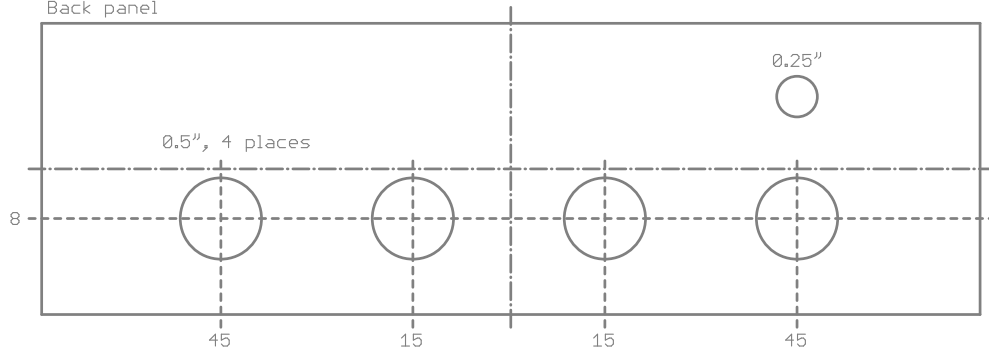
University of Toronto Quantum Optics Group		<h1>Quad Analog Isolator 2</h1> <p>J.Thywissen Labs</p>	
Drawn: A. Stummer Sept 2012 Edited: 26/08/2014 12:17:53			
Sheet: 1/3		REV: A2	



Front panel



Back panel



Front decal

