

If TLE7230G does not work change to TLE7244. (SSOP-24)

OOPS! Change to +5UA.

Cut & jump

Cut & jump

Cut & jump

OOPS! Change to SOIC-8. Used AD8614ART on Rev:A PCB.

Add jumpers or SMT options for options such as IP address.

White wires wrong pinout on Rev:A board, now fixed on schematic.

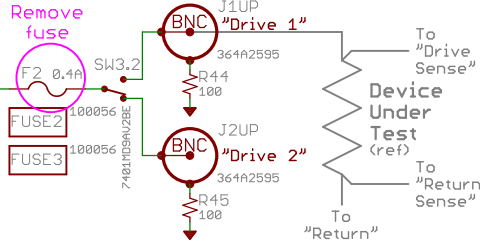
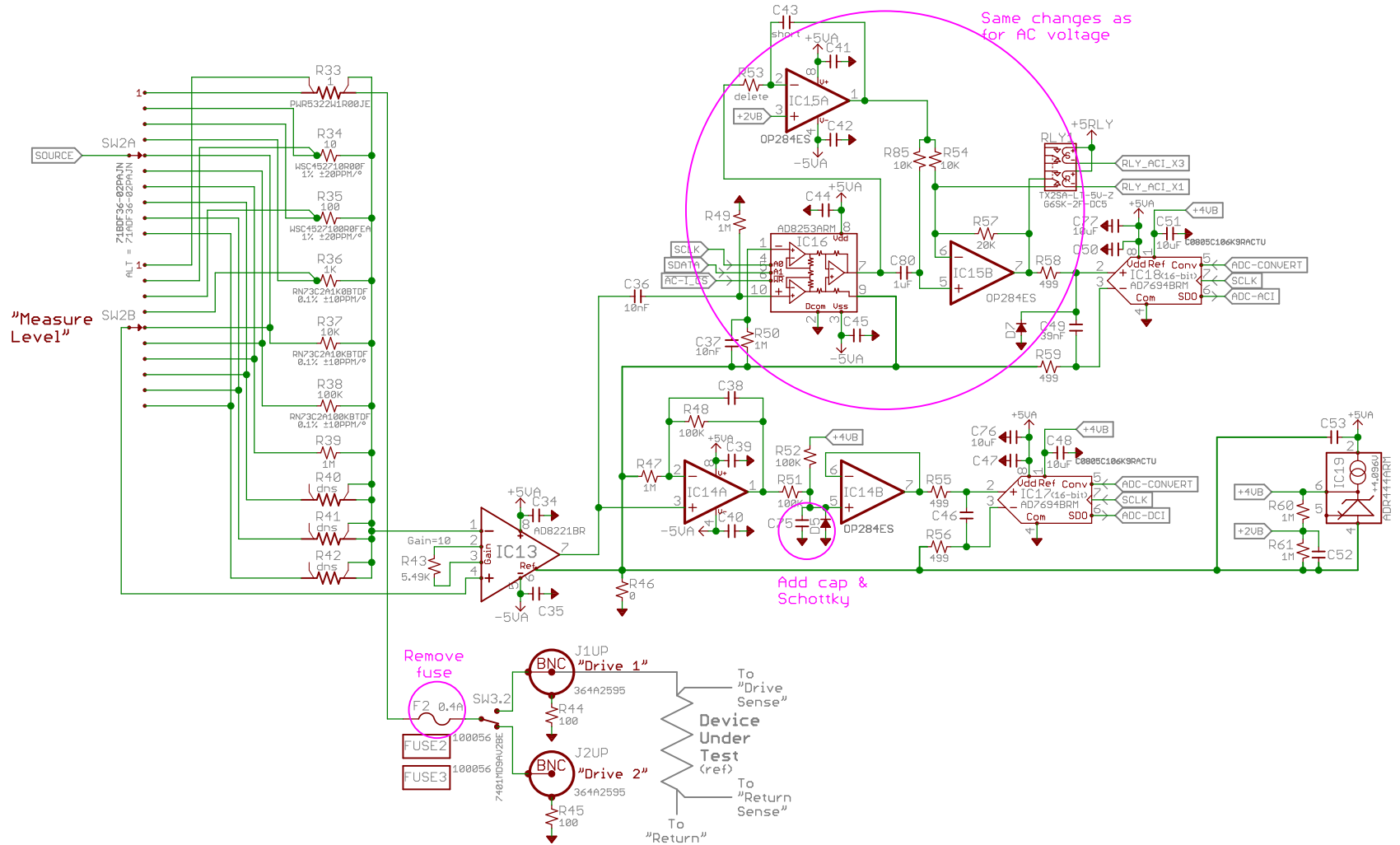
NOTES:

- 1) All parts washable, except all switches far side wash only.

A2	July'13	A.Stummer	As assembled and debugged.
A1	June'13	A.Stummer	Initial design on Rev:A PCB.

REVISIONS			
Ltr	Date	By	Description
University of Toronto		Differential Conductance	
Quantum Optics Group			
Design by: A. Stummer June'13		K. Burch Labs	
Edited: 04/12/2014 11:59:48			
Sheet: 1/5		REV: A	

AC & DC Current Measurements



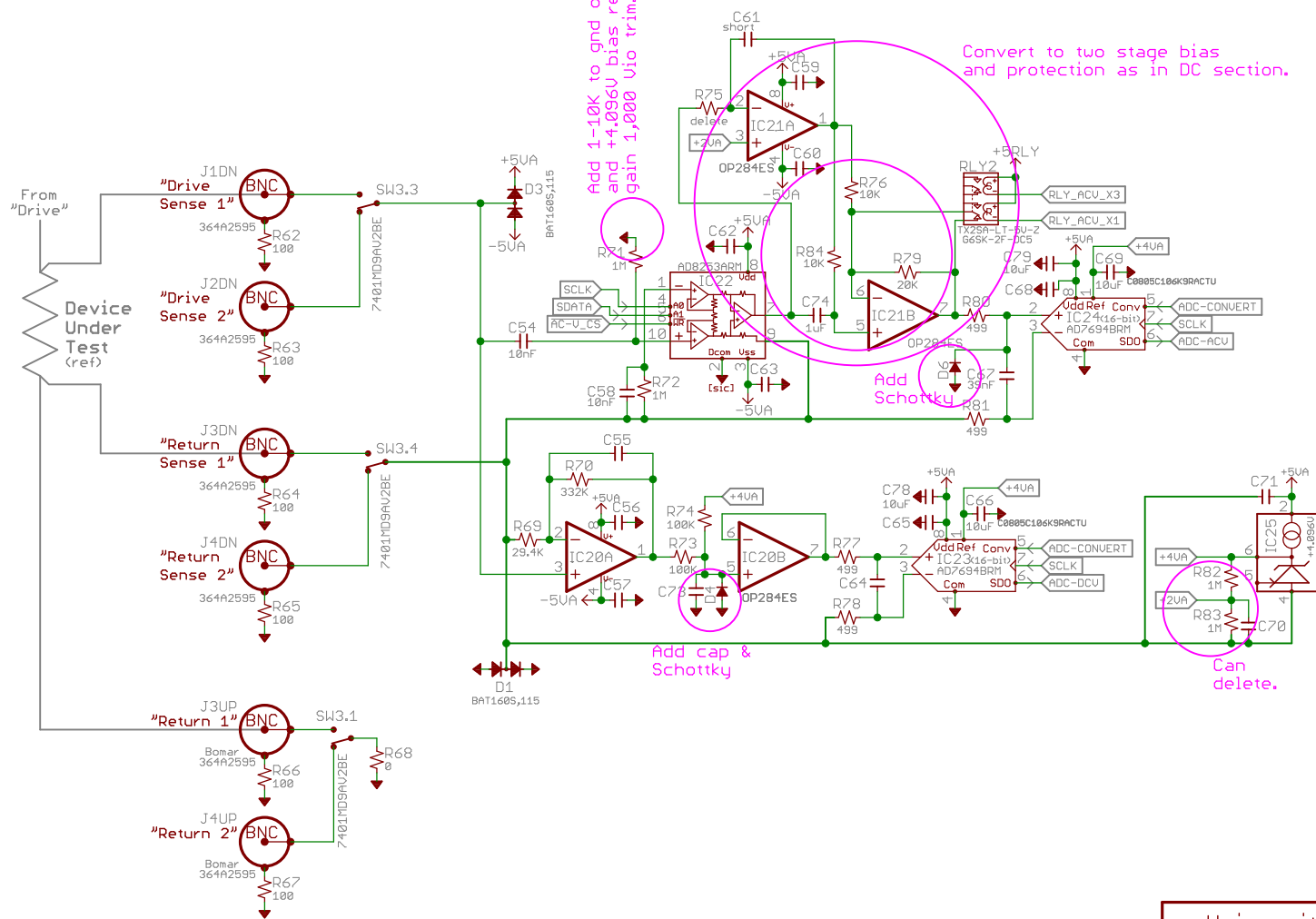
University of Toronto
Quantum Optics Group

Differential
Conductance

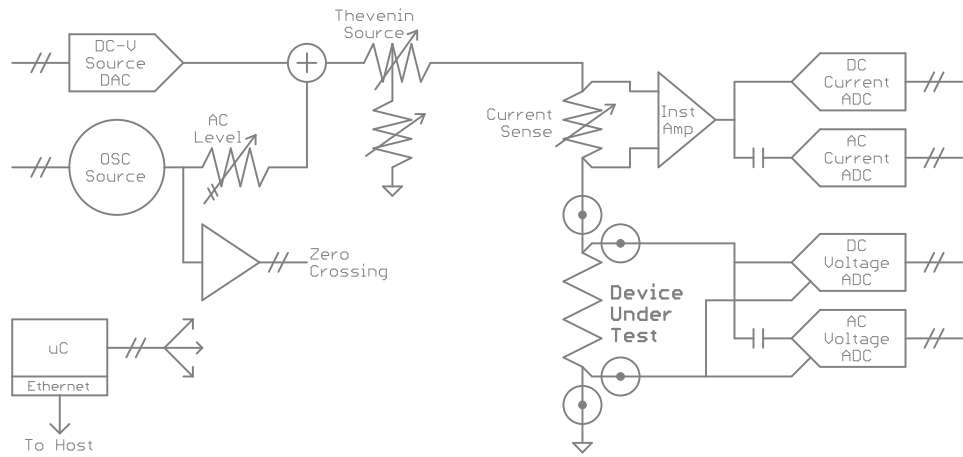
Edited: 04/12/2014 11:59:48

Sheet: 2/5

AC & DC Voltage Measurements



Block Diagram



University of Toronto
Quantum Optics Group

Differential
Conductance

Edited: 04/12/2014 11:59:48

Sheet: 4/5

