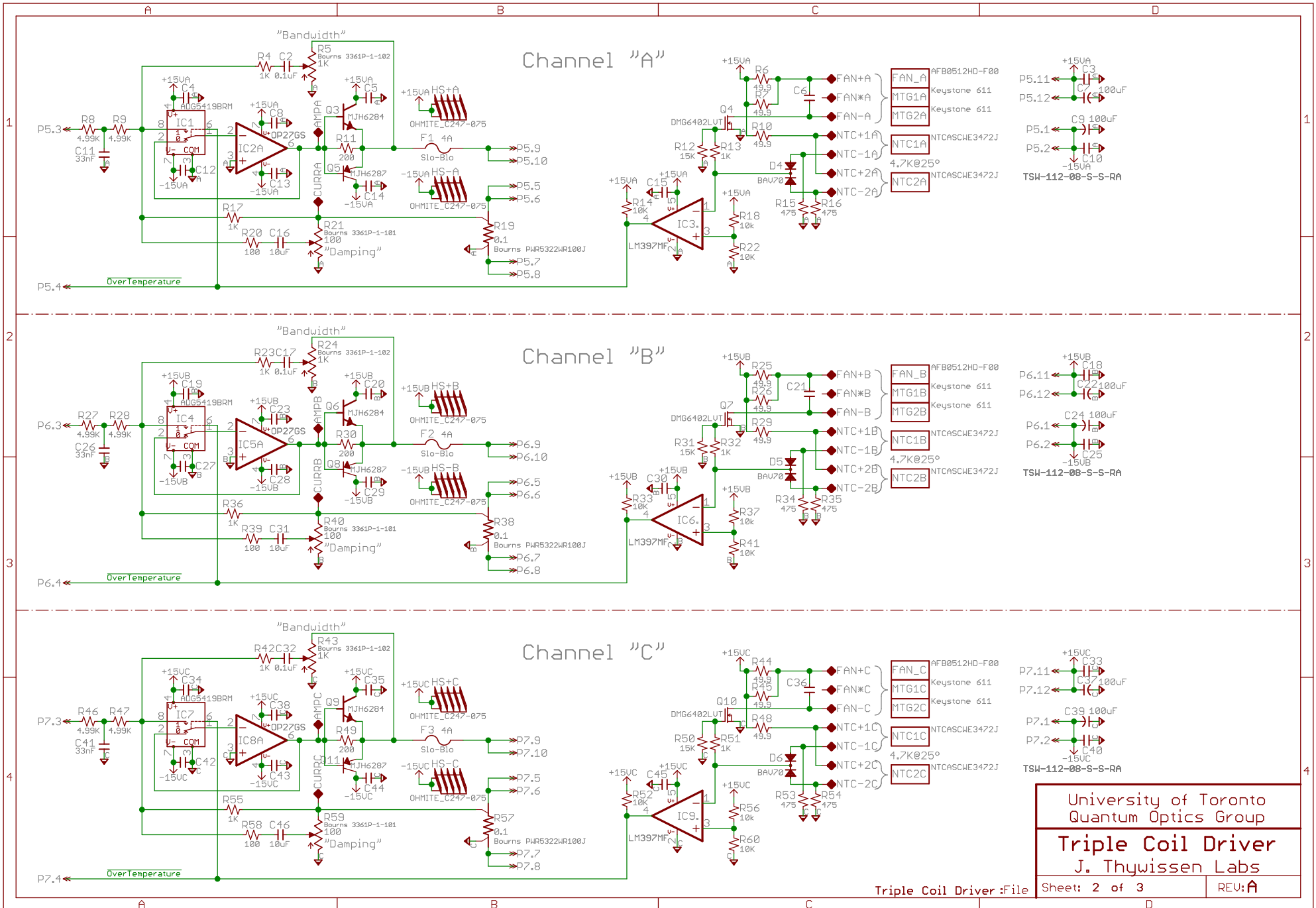


NOTES:

- 1) Heatsinks:
 - Drill and tap M4 for thermistors; 13mm from end, 15mm up.
 - Be sure to mirror each pair of heatsinks!
 - Remove 2 of the 3 clips.
- 2) Cut BJT leads to 30mm overall, apply heatsink compound, slide under clip.
- 3) Fans:
 - Use #8-32x1" flush head and 6-32x0.25" pan or round head for mounting brackets.
 - Countersink fan housing for flush head screws.
 - Fan starts at [calculated] 35°, overtemperature trips at 89°.
- 4) Cover thermister leads with 20mm heatshrink, gaudy colours preferred.
- 5) Solder 20AWG wire to high current traces.

Ltr	Date	By	REVISION DESCRIPTION
University of Toronto, Quantum Optics Group			
Design: A. Stummer			Triple Coil Driver J. Thywissen Labs
Date: 2014 Feb			
Edited: 18/03/2014 16:38:20			
File: Triple Coil Driver			Sheet: 1 of 3
			REV: A



Front panel decal

Triple Coil Driver

J. Thywissen Labs, University of Toronto

Front panel machining (front view)

